



Description		Part No.	Quantity
Heat Exchanger 'O' Ring	3 Bolt End Cap	212-07273	2
	Single Bolt End Cap	209-80110	
Sacrificial Zinc Anode		209-61840	1
Exhaust Gasket		212-09070	1
Pressure Cap		209-80130	1
Thermostat	Beta 10, 14 & 20	600-59290	1
	Beta 16 & 25	600-72450	
Thermostat Gasket	Beta 10, 14 & 20	600-00553	1
	Beta 16 & 25	600-80490	
Drive Plate	PRM/ZF - 22-B-60	206-91950	1
	TMC/PRM/ZF - 22-B-4	206-97041	
40 Amp alternator	2 Pin Beta 10, 14 & 20	600-80010	1
	3 Pin Beta 16 & 25	600-02781	
	4PK PolyVee Drive Belt - From 2011	212-05074	
	4PK PolyVee Drive Belt - To 2011 - Not Beta 25	214-04360	
	4PK PolyVee Drive Belt - To 2011 - Only Beta 25	212-05074	
	V Belt - From 2011	214-00126	
	V Belt - To 2011	600-63080	
60 Amp alternator	No longer available replace with appropriate 40 Amp alternator	600-04989	N/A
70 Amp alternator	Current replacement for older 65 Amp alternators - To 2011	200-01155	1
	4PK PolyVee Drive Belt - Beta 10, 14 & 20 - To 2011	214-03235	
	4PK PolyVee Drive Belt - Beta 16 - To 2011	214-04360	
	4PK PolyVee Drive Belt - Beta 25 - To 2011	212-05074	
75 Amp alternator	From 2011	200-07338	1
	4PK PolyVee Drive Belt - From 2011	212-05074	
120 Amp alternator	Alternator - From June 2011	200-05231	1
	6PK PolyVee Drive Belt - From 2011	214-04124	
Fuel Filter		211-60210	1
Air Filter Element	Plastic Air Filter Assembly - From March 2011	211-08132	1
	2 Clamp Type - To March 2011	211-62950	
Oil Filter Element	Engine Mounted	211-63760	1
	Remote Mounted	211-70510/02	
Sump Drain Pump		210-80061	1
Sump Drain Pump Clamp		212-00793	2
Beta Marine gear driven sea water pump - From June 2013	Pump	207-08922	1
	Impeller Kit	207-09041-KIT	1
	Sea Water Pump to Engine 'O' Ring	209-08266	1
	Sea Water Pump End Cover Plate	207-09481	1
	Sea Water Pump End Cover 'O' Ring	207-09279	1
	Sea water Pump Shaft Kit	207-09229	1
	Sea water Pump Hose Tail	212-99232	1
	Sea Water Pump Clamp	202-23208	1
	Sea Water Pump Seal Kit	207-09228	1
	Sea Water Pump Wear Kit	207-09909	1
	Sea Water Pump Lip Seal 28mm	207-09351	2
	Sea Water Pump Lip Seal 24mm	205-10361	1

## Quick Reference Tables

Description		Part No.	Quantity
Johnson gear driven sea water pump - From July 2006 to June 2013	Pump	207-61500/01	1
	Impeller Kit	207-09041-KIT	1
	Sea Water Pump to Engine 'O' Ring	209-08266	1
	Sea Water Pump End Cover Plate	207-05478	1
	Sea Water Pump End Cover Plate Bolts	207-05479	6
	Sea Water Pump End Cover 'O' Ring	207-09279	1
	Sea water Pump Shaft	207-06520	1
	Sea Water Pump Seal	207-08636	1
	Sea Water Pump Service Kit	207-07714	1
	Sea Water Pump Lip Seal	207-06494	1
Jabsco gear driven sea water pump - To July 2006	Pump	207-61500	1
	Impeller	207-79630	1
	Sea Water Pump End Cover Plate - Round	207-00507	1
	Sea Water Pump Gasket - Round	207-62600	1
	Sea Water Pump End Cover Plate Screw - Round	207-00062	6
	Sea Water Pump Service Kit - Round	207-61470	1
	Sea Water Pump End Cover Plate Kit - Triangular, includes Plate, 'O' Ring & 3 x Bolts	207-00138/01	1
	Sea Water Pump End Cover 'O' Ring - Triangular	207-04206	1
	Sea Water Pump End Cover Plate Screw - Triangular	207-04207	3
	Sea Water Pump Service Kit - Triangular	AK/MINI/HE/SWPI/001	1
	Sea Water Pump Shaft	207-01060	1
	Sea Water Pump Lip Seal	207-02239	1
Fuel Lift Pump	Beta 10, 14 & 20	600-65470	1
	Beta 16 & 25	600-10432	
Fuel Lift Pump Gasket		600-00065	1
Fuel Stop Solenoid	Energised to Stop	600-81950	1
Control Panel Standard Key	From June 2008	600-00058/01	A pair
	To June 2008	600-00058	
Control Panel Key Switch	From June 2008	600-00057/01	1
	To June 2008	600-00057	
Control Panel Stop Button	Also ABWV, BW & CW Panel Heat & Start	200-00072	1
Tachometer	0-5000 rpm with Digital Hour Counter	200-21242	1
Water Temperature Gauge	For B, BW, C Deluxe & CW Control Panels	200-96200	1
Oil Pressure Gauge	For C Deluxe & CW Control Panels	200-96190	1
Voltmeter	For C Deluxe & CW Control Panels	200-96210	1
Green Power On Indicator	Lamp & Retaining Clip (P/N 200-09797)	200-04656	1
Red Warning Indicator	Lamp & Retaining Clip (P/N 200-09797)	200-04657	3 or 4
Alarm Board	ALL Panels - From June 2005	200-04655	1
Relay 12 Volt 40A (28Ra)	Fitted to the Rear of Panels	200-87020	1
40 Amp Fuse Blade		200-00959	1
Standard Engine Harness		200-98380/01	1

Description		Part No.	Quantity
Water Temperature Switch	For A, ABV & ABVW Panels - Beta 16 & 25, Beta 10, 14 & 20 - From March 2007	600-62820	1
	For A, ABV & ABVW Panels - Beta 10, 14 & 20 - To March 2007	200-01133	
Water Temperature Sender	1/8" BSP For B, BW, C Deluxe & CW Control Panels - From April 2011	200-08248	1
Water Temperature Sender	5/8" UNF For B, BW, C Deluxe & CW Control Panels - To April 2011	200-94360	
Water Temperature Switch	For Insulated Earth Return Engines & Panels	200-08830	1
Oil Pressure Switch	For A, ABV, ABVW, B & BW Panels	600-62670	
Oil Pressure Sender	For C Deluxe & CW Control Panels	200-94350	
Oil Pressure Switch	For Insulated Earth Return Engines & Panels	200-61190	
Panel A - Key Switch		AK/2AS/KS01	1
Panel AB - Key Switch	0-5000 rpm Tachometer with Digital Hour Counter	AK/2ABD/KS01	
Panel ABV - Key Switch	0-5000 rpm Tachometer with Digital Hour Counter	AK/2ABV/KS0L501	
Panel ABVW - Push Button	0-5000 rpm Tachometer with Digital Hour Counter	AK/2ABVW/KS0L51	
Panel B - Key Switch	0-5000 rpm Tachometer with Digital Hour Counter & Temperature Gauge	AK/2BT/KS051	
Panel BW - Push Button	0-5000 rpm Tachometer with Digital Hour Counter & Temperature Gauge	AK/2BTW/KS001	
Panel C - Key Switch	0-5000 rpm Tachometer with Digital Hour Counter, Temperature, Oil Pressure & Voltage Gauges	AK/2CD/KS0L51	
Panel CW - Push Button	0-5000 rpm Tachometer with Digital Hour Counter, Temperature, Oil Pressure & Voltage Gauges	AK/2CW/KS0L51	
NMEA 2000 Module	Allows C & CW Panels to Interface with a NMEA 2000 Network	AK/P/2D/i01	
D-Digital - Push Button	Fully Digital Stand Alone or Fully NMEA 2000 Network Compatible Panel	AK/P/2D/KS01	
Cylinder Head Gasket	Beta 10 & 14	600-00409/01	1
	Beta 16	600-05469	
	Beta 20	600-06548	
	Beta 25	600-05470	
Exhaust Manifold Gasket	Beta 10 & 14	600-63070	1
	Beta 16	600-08350	
	Beta 20	600-64210	
	Beta 25	600-08351	
Top Gasket Set	Beta 10 & 14	600-00383	1
	Beta 16	600-05471	
	Beta 20	600-00395	
	Beta 25	600-05472	
Lower Gasket Set - Excludes Sump Gasket	Beta 10 & 14	600-01056	1
	Beta 16	600-05473	
	Beta 20	600-00394	
	Beta 25	600-05474	
Sump Gasket	Beta 10 & 14	600-00573	1
	Beta 16	202-08495	
	Beta 20	600-00572	
	Beta 25	202-08494	



## Quick Reference Tables

Description		Part No.	Quantity
Flexible Mounts	Trelleborg	213-93440	4
	Metalastic Type 55	213-80170	
Extended Dipstick	Beta 10, 14 & 20	600-96280	1
	Beta 16	600-21707	
	Beta 25	600-96300	
Rocker Cover Gasket	Beta 10 & 14	600-01055	1
	Beta 16	600-05467	
	Beta 20	600-00607	
	Beta 25	600-05468	
Rocker Cover Oil Filler Cap		600-00579	1
Rocker Cover Oil Filler Cap 'O' Ring		600-00258	1
Fuel Leak Off Rail	Beta 10 & 14	600-00032	1
	Beta 16	600-09959	
	Beta 20	600-00031	
	Beta 25	600-09273	
Fuel Leak Off Rail to Injector Gasket		600-00537	2 or 3
Fuel Injector to Cylinder Head Gasket		600-00242	2 or 3
Water Hose	Fresh Water Pump to Thermostat Housing	600-00214	1
Rocker Cover Air Hose	Inlet Manifold to Rocker Cover Vent - From 2005	600-07180	1
	Rocker Cover to Atmosphere - To 2005	600-02260	1
Starter Motor	Beta 10, 14 & 20	600-00063	1
	Beta 16	600-00064	
	Beta 25	600-05147	

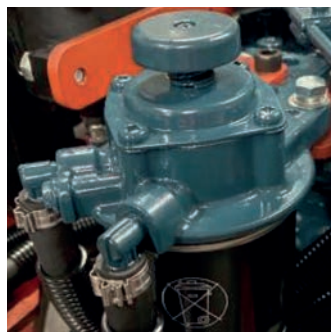
Manuals		Part No.	Quantity
Operators Maintenance Manual		221-20031	1
Workshop Manual – Base Engine Only		600-00756	1 available as a PDF
Spare Parts Manual – Base Engine Only	Beta 10 & 14 (BZ482)	600-02437	4 available as a PDF
	Beta 16 (BZ602)	600-05476	
	Beta 20 (BD722)	600-02438	
	Beta 25 (BD902)	600-05477	

**Note:** the above part numbers are suitable for earth return installations only (where the battery negative cable is connected directly to engine earth/ground). For insulated earth (where battery negative cable is isolated from engine earth/ground) different harnesses, alternators, switches for oil pressure and engine temperature will be required.

If your application is wired as insulated earth return and the engine will not operate correctly, always check starter battery negative is connected to the correct terminal on the isolating solenoid. It should be connected to the terminal which is also used for all the small black wires, NOT the terminal with the single black wire connected directly to engine ground.

Any engine equipped with a square fuel filter assembly with priming button requires a fuel filter with the part number:

**211-60210**



Any engine equipped with a round fuel filter assembly with priming button requires a fuel filter with the part number:

**211-02817**



Any engine equipped with a clear fuel filter assembly requires a fuel filter with the part number:

**600-00088**

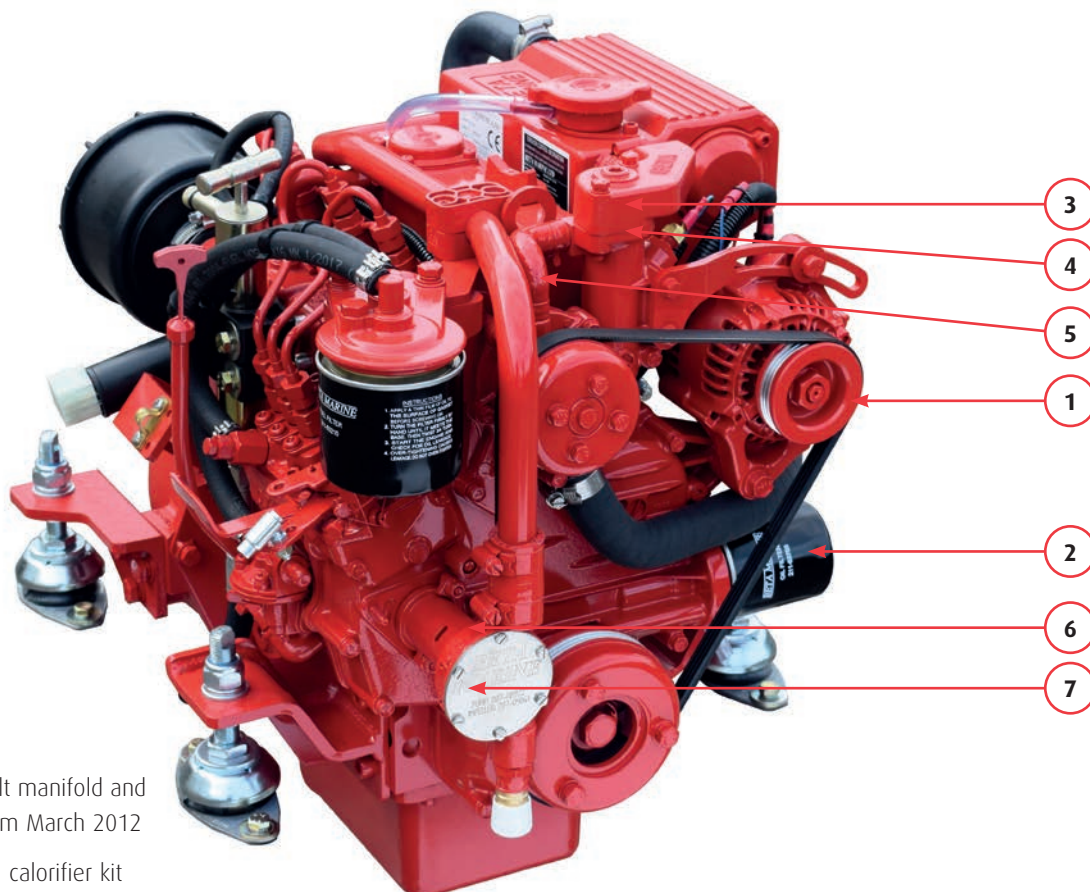


# ***BETA MARINE***

This page is intentionally blank.

## Heat Exchanger Cooled

IPL Beta 10, 14, 16, 20 & 25 (non turbo) - From 2011 Front View



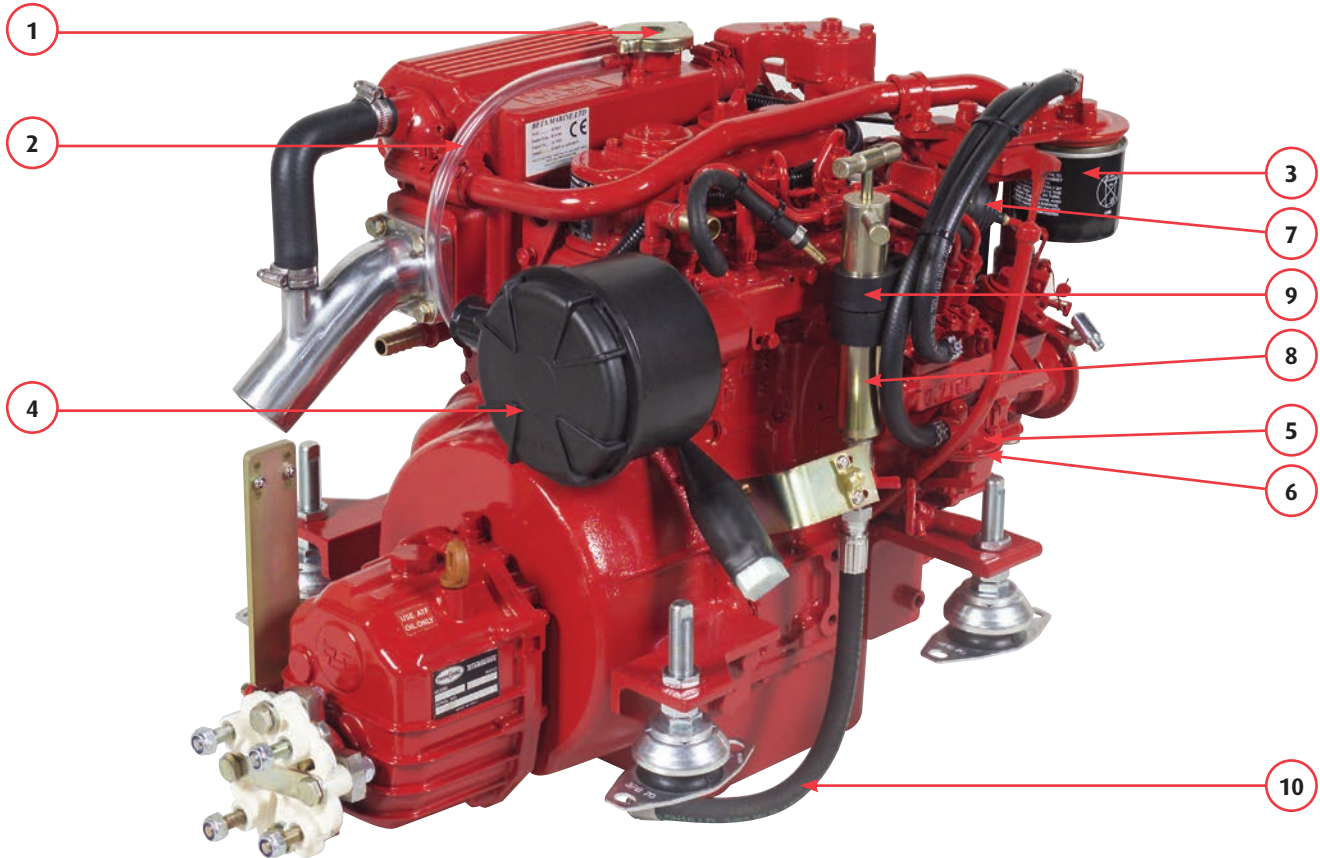
**Note:** Engine shown is 3 bolt manifold and plastic air filter assembly from March 2012

For AK/HE/CAL/KS10-38/01 calorifier kit component breakdown please refer to page 74

Ref.	Part No.	Description	Qty	Comments
1	600-80010	40 Amp alternator 2 pin	1	Beta 10, 14 & 20
	600-02781	40 Amp alternator 3 pin		Beta 16 & 25
	212-05074	4PK PolyVee drive belt	1	From 2011
	214-04360	4PK PolyVee drive belt		To 2011 - Not Beta 25
	212-05074	4PK PolyVee drive belt		To 2011 - Only Beta 25
	214-00126	V Belt	1	From 2011
	600-63080	V Belt		To 2011
	200-07338	75 Amp alternator	1	From 2011
	212-05074	4PK PolyVee drive belt	1	From 2011
	200-05231	100 Amp alternator	1	From 2003 to June 2011
	200-05231	120 Amp alternator		From June 2011
	214-04124	6PK PolyVee drive belt	1	
2	211-63760	Oil filter element	1	
3	600-59290	Thermostat	1	Beta 10, 14 & 20
	600-72450			Beta 16 & 25
4	600-00553	Thermostat gasket	1	Beta 10, 14 & 20
	600-80490			Beta 16 & 25
5	600-00624	Fresh water pump to thermostat housing pipe	1	
	600-02017	Stainless steel hose clip	2	
6	207-08922	Sea water pump	1	From June 2013
	207-61500/01			To June 2013
7	207-09041-KIT	Impeller kit	1	



## Beta 10, 14, 16, 20 & 25 (non turbo) - From 2011 Rear View

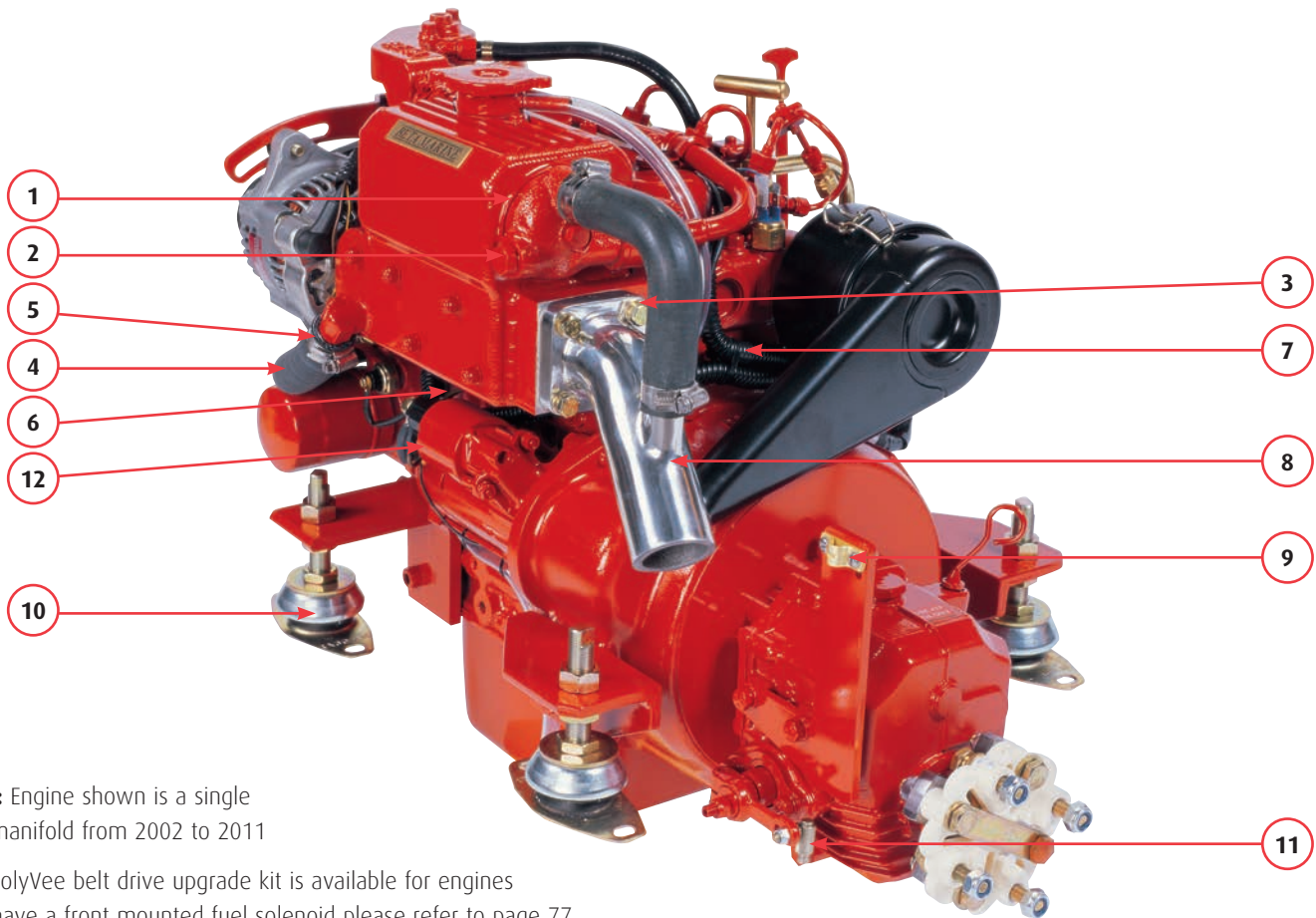


Ref.	Part No.	Description	Qty	Comments
1	209-80130	Pressure cap	1	
2	212-03194	Fresh water overflow pipe	1	8mm
3	211-60210	Fuel filter element	1	
4	211-08132	Air filter element	1	From 2012, plastic assembly
	211-62950			To 2011, 2 clamp steel assembly
5	600-65470	Fuel lift pump	1	Beta 10, 14 & 20
	600-10432			Beta 16 & 25
6	600-00065	Fuel lift pump gasket	1	
7	600-79660	Fuel stop solenoid	1	
8	210-80061	Sump drain pump	1	
9	212-00793	Sump drain pump clamp	2	
10	210-03154	Sump drain pump pipe - standard sump	1	Beta 10, 14 & 20
	210-05047			Beta 16 & 25
	210-08317	Sump drain pump pipe - shallow sump		Beta 10, 14 & 16
	210-04311	Beta 20 & 25		
	210-04396	Sump drain pump pipe - Volvo saildrive adaptations		Beta 14, 16, 20 & 25 - From June 2011

## Heat Exchanger Cooled

IPL

Beta 10, 14, 16, 20 & 25 (non turbo) - To 2011 Rear View



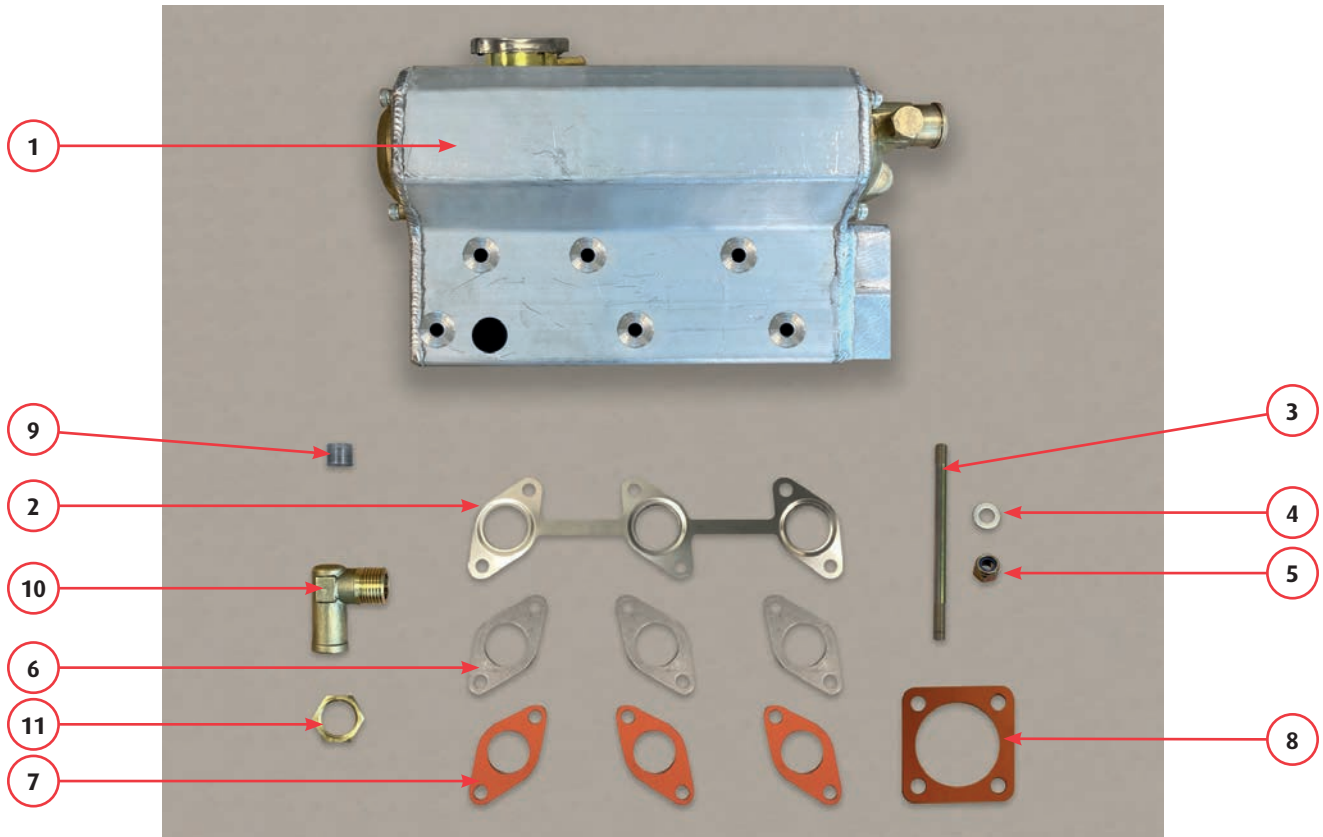
**Note:** Engine shown is a single bolt manifold from 2002 to 2011

6PK PolyVee belt drive upgrade kit is available for engines that have a front mounted fuel solenoid please refer to page 77

Ref.	Part No.	Description	Qty	Comments
1	212-07273	Heat exchanger 'O' ring	2	3 bolt end cap
	209-80110			Single bolt end cap
2	209-61840	Sacrificial zinc anode	1	
3	212-09070	Exhaust gasket	1	Orange type - From May 2011
4	209-92150	Fresh water pipe - heat exchanger to fresh water pump	1	
5	212-98464	Stainless steel hose clip 22-30mm	2	
6	200-00959	40 Amp fuse blade	1	
7	200-98380/01	Engine harness	1	
8	202-02458	Standard water injection bend	1	
9	212-99241/01	Saddle clamp fitting kit	1	
10	213-93440	Flexible mounts	4	Trelleborg BRB 70
	213-96970/01			Type 55 shore Metalastic type - USA engines
11	212-07665	Clevis connector	1	For mechanical gearboxes morse control cables
	212-99240/01	Ball joint z/p steel cable connector		For hydraulic gearboxes morse control cables
12	600-00063	Starter motor	1	Beta 10, 14 & 16
	600-00064			Beta 20
	600-05147			Beta 25

## Beta 10, 14, 16, 20 & 25 (non turbo) Gearbox Components

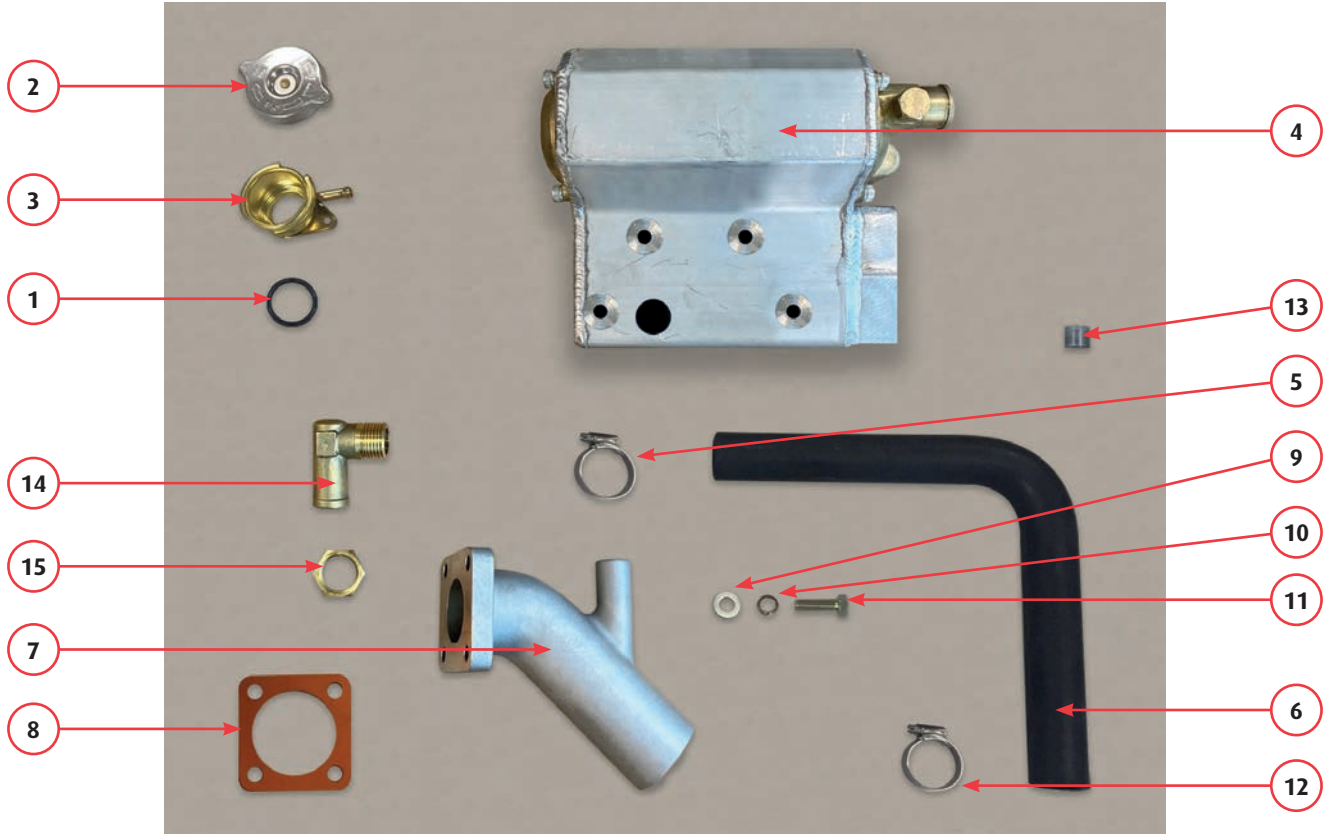
Gearbox Option	Gearbox Part No.	Drive Plate Part No.	Morse Gear Bracket Part No.	Adaptor Plate Part No.	Flexible Coupling Part No.
TMC40 R1.45	204-00278	206-97041	202-61582/01 Vertical or 202-09311 Horizontal	N/A	212-93690
TMC40 R2	204-91690				
TMC40 R2.6	204-91671				
TMC60 R2	204-91680				
TMC60 R2.5	204-01627				
TMC60 R3	204-01192				
TMC60A R2	204-07724				
TMC60A R2.5	204-07928				
PRM60 D2	204-11059				
PRM60 D2.5	204-20802				
PRM90 D2	204-10396				
PRM90 D2.5	204-10642				
PRM125 D2	204-10397				
PRM125 D2.5	204-10773				
PRM125 D3	204-11039				
ZF15MIV R2.13	204-00767	206-00895 Counterbored	202-61582	N/A	N/A
SEAPROP 60 R2.14	204-04976	206-97041	N/A		
SEAPROP 60 R2.38	204-04977				
VOLVO 110S	N/A	206-04108			
VOLVO 120S	N/A	206-05176			
VOLVO 130S	N/A	206-97041			
YANMAR SD20	N/A	206-05176 & Spacer 201-08593 (No Spacer for Beta 25) 201-08593			
TTMC35A R2.3	204-04315	206-01739			
TTMC35A R2.6	204-04315/01				



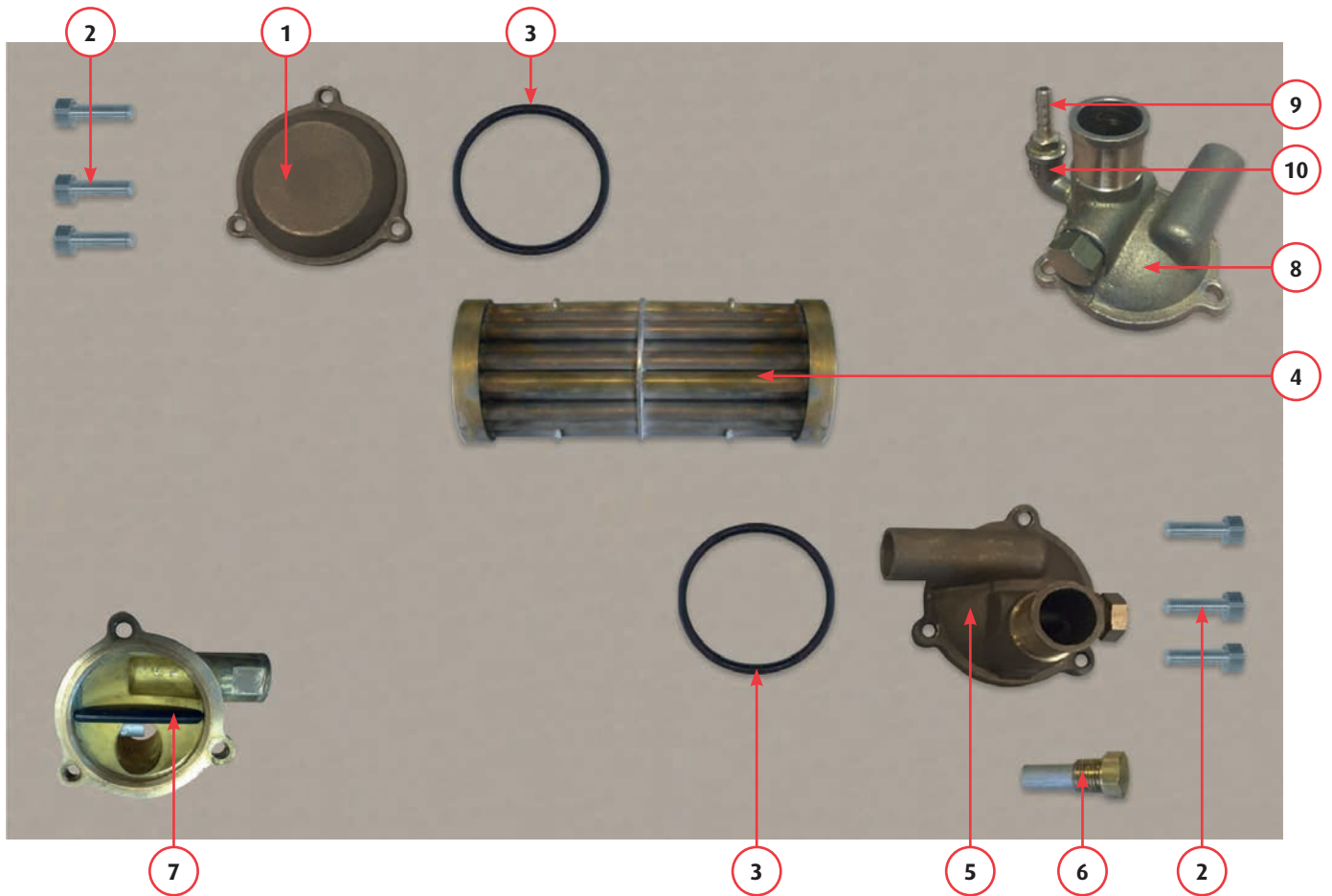
Ref.	Part No.	Description	Qty	Comments
1	AK/MINI/2CYL/482/E01	2 Cyl 3 Bolt Eskimo Manifold Kit includes ref no 6 & 7	1	Beta 10 & 14
	AK/MINI/2CYL/602/E01			Beta 16
	AK/MINI/3CYL/722/E01	Beta 20		
	AK/MINI/3CYL/902/E01	Beta 25		
2	600-63070	Exhaust manifold gasket	1	Beta 10 & 14
	600-08350			Beta 16
	600-64210			Beta 20
	600-08351			Beta 25
3	201-01915	Mini manifold stud	4	Beta 10, 14 & 16
			6	Beta 20 & 25
4	217-99276	M6 Flat washer	4	Beta 10, 14 & 16
			6	Beta 20 & 25
5	217-99278	M6 Nyloc nut	4	Beta 10, 14 & 16
			6	Beta 20 & 25
6	200-08619	Exhaust manifold spacer	2	Beta 10, 14 & 16
			3	Beta 20 & 25
7	212-08626	Exhaust spacer gasket	2	Beta 10, 14 & 16
			3	Beta 20 & 25
8	212-09070	Exhaust bend gasket	1	Orange type - From May 2011
9	209-80050	3/8" BSP plug	1	
10	212-99236	1/2" BSP 3/4" brass fresh water elbow	1	
11	212-07371	1/2" BSP brass lock nut	1	



## Beta 10, 14, 16, 20 & 25 (non turbo) 3 Bolt Heat Exchanger Manifolds - From 2011

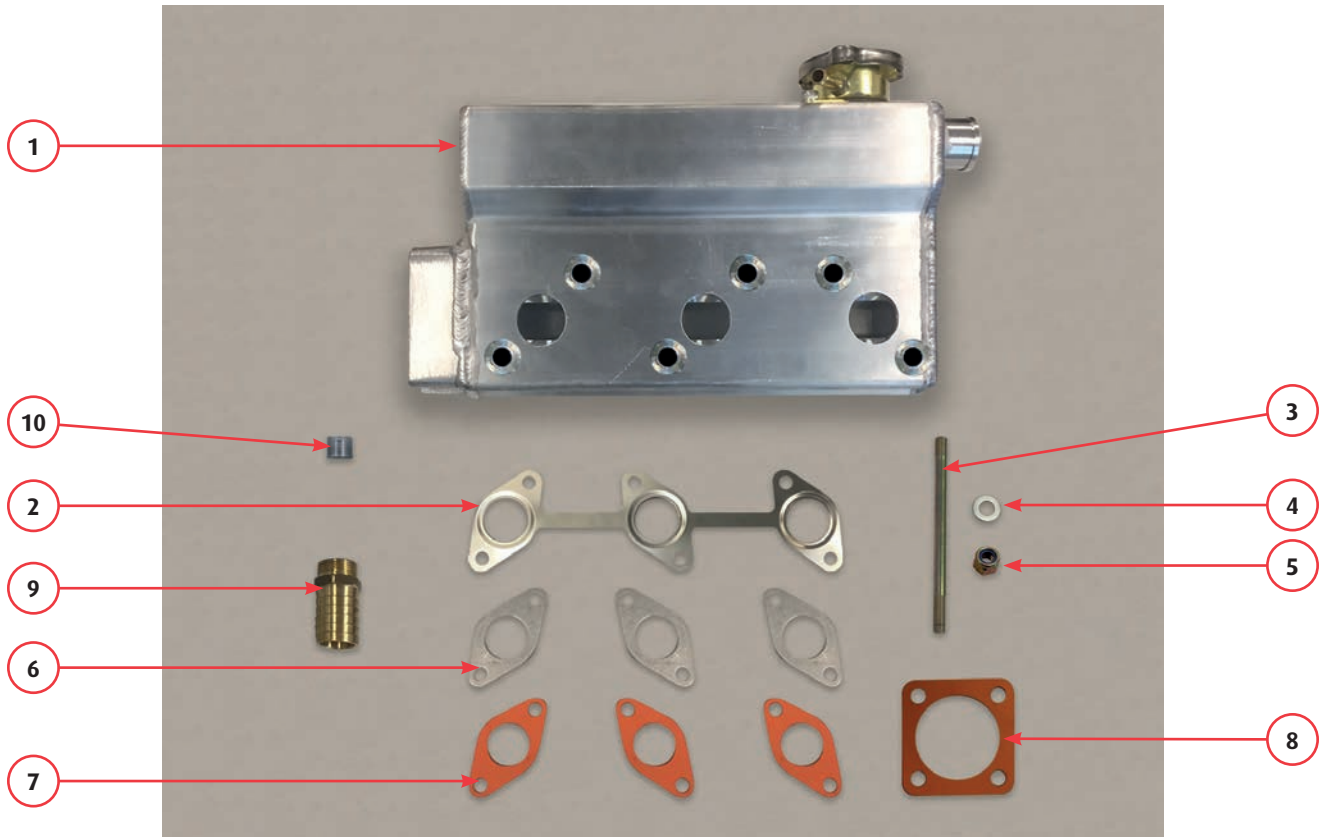


Ref.	Part No.	Description	Qty	Comments
1	209-02167/01	Filler neck 'O' ring	1	
2	209-80130	Twin seal pressure cap	1	
3	209-08352	Filler neck assembly	1	
4	AK/MINI/2CYL/482/E01	2 Cyl 3 Bolt Eskimo Manifold Kit includes ref no 6 & 7	1	Beta 10 & 14
	AK/MINI/2CYL/602/E01			Beta 16
	AK/MINI/3CYL/722/E01	Beta 20		
	AK/MINI/3CYL/902/E01	Beta 25		
5	212-98464	Stainless steel hose clip 22-30mm	1	
6	209-05125/01	25mm ID Rubber elbow	1	From June 2013
	209-91760/01	22mm ID Rubber elbow		To June 2013
7	202-02458	2" (50mm) OD Aluminium water injection bend	1	From October 2002
8	212-09070	2" Exhaust gasket	1	Orange type - From May 2011
9	217-99293	M8 Flat washer	4	
10	217-99292	M8 Spring washer	4	
11	217-99299	M8 x 25mm Set bolt	4	
12	212-98464	Stainless steel hose clip 22-30mm	1	
13	209-80050	3/8" BSP plug	1	
14	212-99236	1/2" BSP 3/4" brass fresh water elbow	1	
15	212-07371	1/2" BSP brass lock nut	1	



Ref.	Part No.	Description	Qty	Comments
1	208-07272	3 Bolt return end cap	1	
2	217-00190Z	3 Bolt end cap bolt	6	3 for each end cap
3	212-07273	3 Bolt end cap 'O' ring	2	
4	209-08426	3 Bolt end cap tubestack	1	Beta 10, 14 & 16
	209-08577			Beta 20
	209-07270			Beta 25
5	208-07271	3 Bolt 25mm open end cap	1	
6	209-61840	Sacrificial zinc anode	1	
7	212-08730/55	Seal, 55mm OAL to suit ref no 5 3 bolt 25mm open end cap	1	
8	AK/SML/SB/KS01	Sternbleed kit	1	Includes endcap, sacrificial zinc anode, brass elbow (ref no 9), brass hose connector (ref no 10) and 3m of 5mm hose
9	212-04355	1/8" BSPTM x 1/8" BSPF Brass elbow	1	Parts of ref no 8
10	212-09044	1/8" BSPTM x 3/16" OD Hose tail	1	

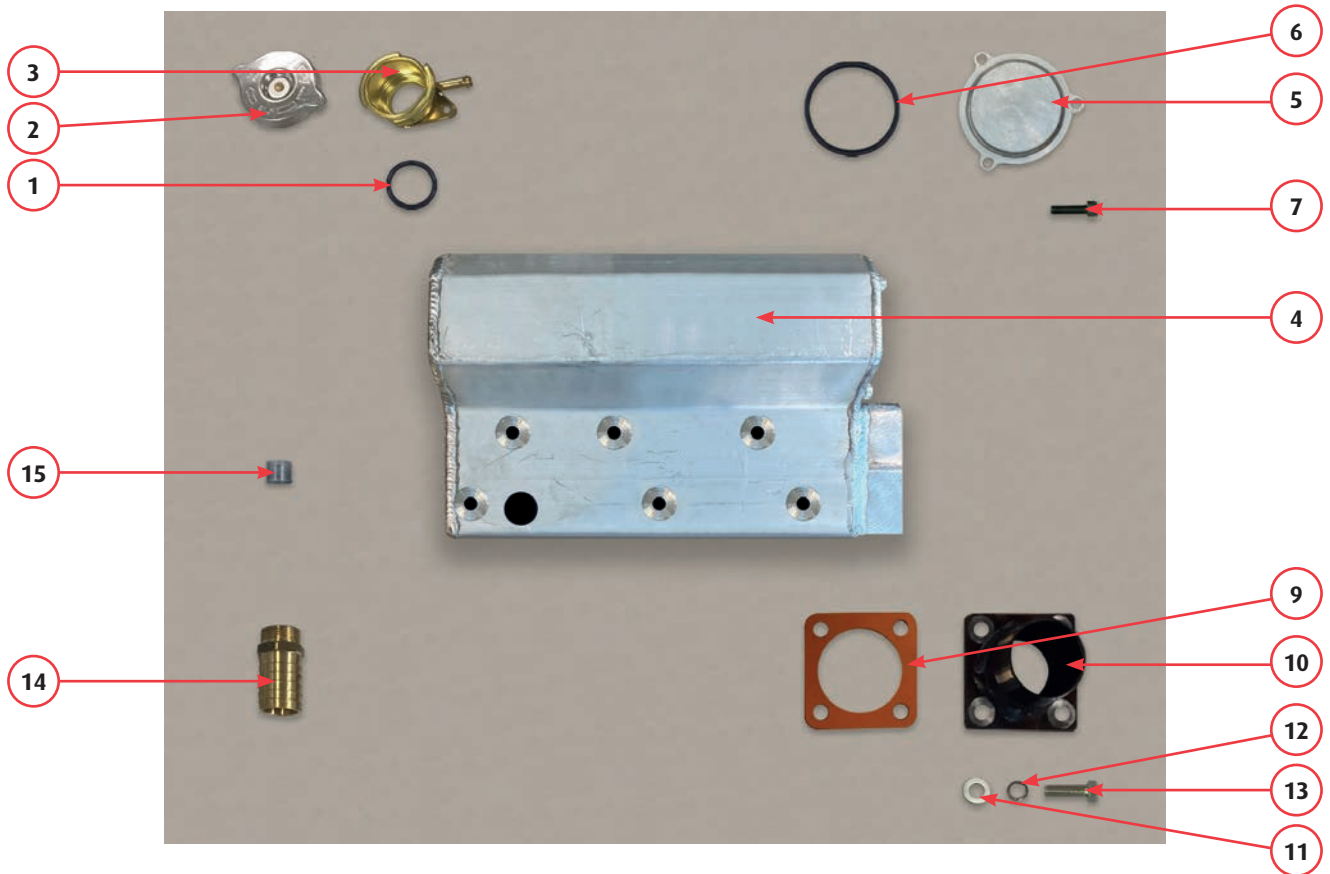
This page is intentionally blank.



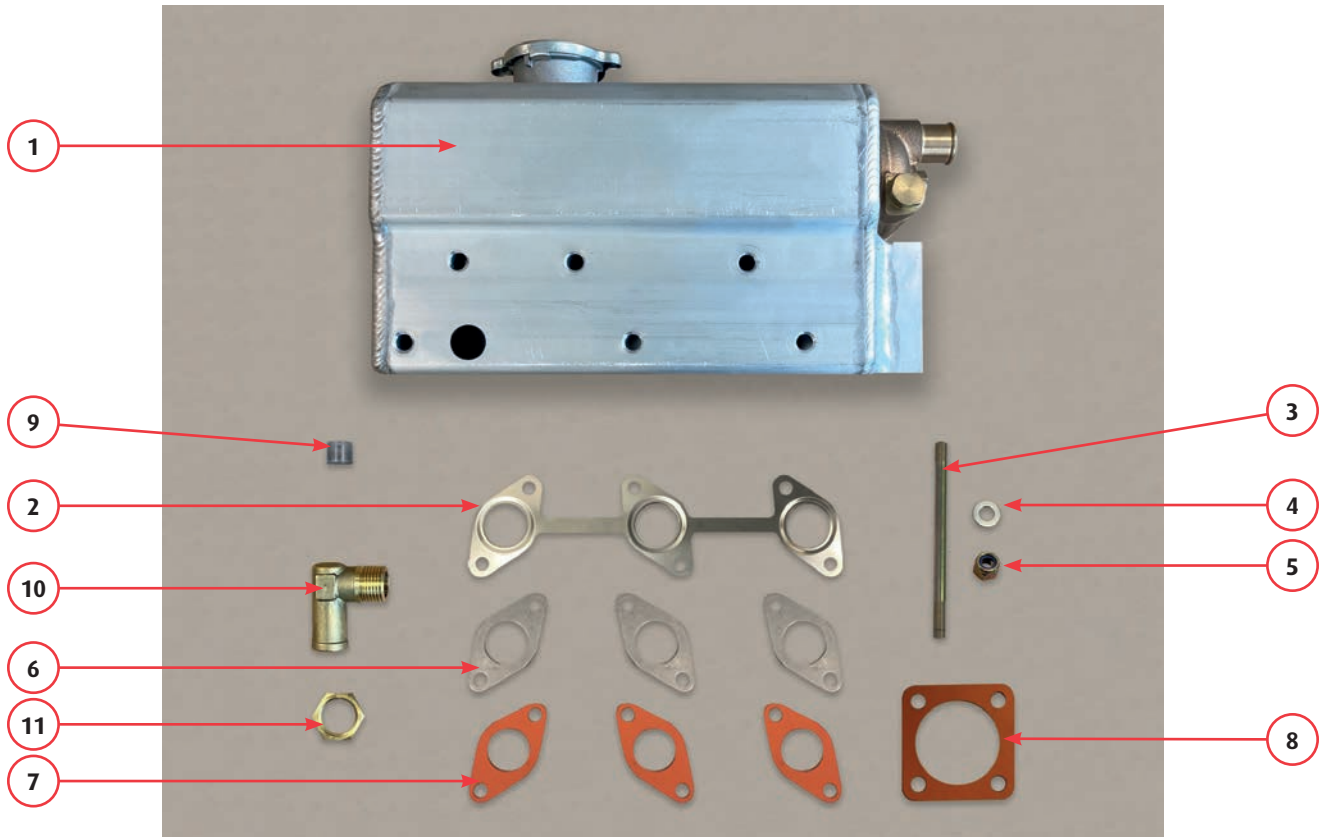
Ref.	Part No.	Description	Qty	Comments
1	AK/MINI/2CYL/482K/E01	2 Cyl 3 Bolt Eskimo Manifold Kit includes ref no 6 & 7	1	Beta 14
	AK/MINI/2CYL/602K/E01			Beta 16
	AK/MINI/3CYL/722K/E01	Beta 20		
	AK/MINI/3CYL/902K/E01	Beta 25		
2	600-63070	Exhaust manifold gasket	1	Beta 14
	600-08350			Beta 16
	600-64210			Beta 20
	600-08351			Beta 25
3	201-01915	Mini manifold stud	4	Beta 10, 14 & 16
			6	Beta 20 & 25
4	217-99276	M6 Flat washer	4	Beta 10, 14 & 16
			6	Beta 20 & 25
5	217-99278	M6 Nyloc nut	4	Beta 10, 14 & 16
			6	Beta 20 & 25
6	200-08619	Exhaust manifold spacer	2	Beta 10, 14 & 16
			3	Beta 20 & 25
7	212-08626	Exhaust spacer gasket	2	Beta 10, 14 & 16
			3	Beta 20 & 25
8	212-09070	Exhaust bend gasket	1	Orange type - From May 2011
9	212-99232	1/2" BSPT 3/4" hose connector	1	
10	209-80050	3/8" BSP plug	1	



## Beta 10, 14, 16, 20 & 25 (non turbo) 3 Bolt Keel Cooled Manifolds - From 2011

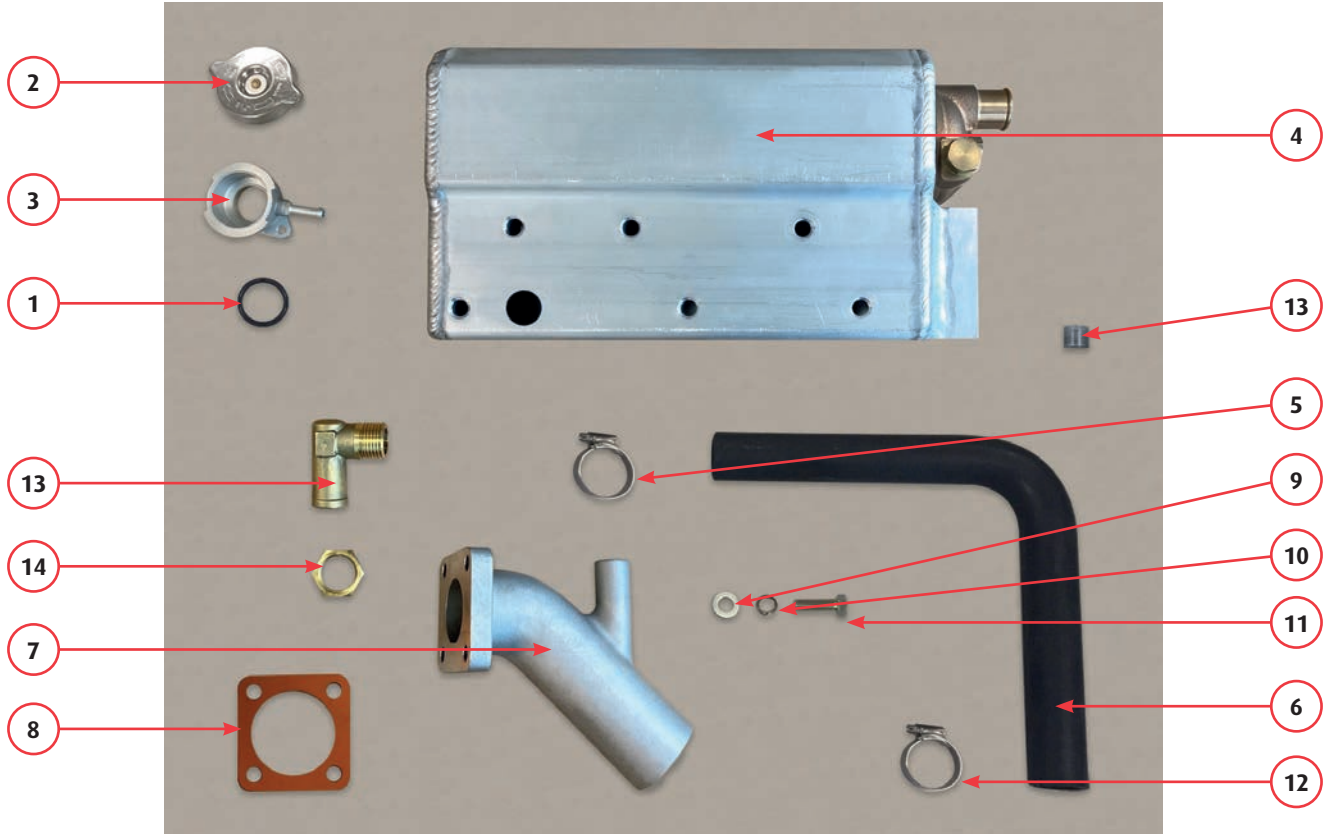


Ref.	Part No.	Description	Qty	Comments
1	209-02167/01	Filler neck 'O' ring	1	
2	209-80130	Twin seal pressure cap	1	
3	209-08352	Filler neck assembly	1	
4	AK/MINI/2CYL/482K/E01	2 Cyl 3 Bolt Eskimo Manifold Kit includes ref no 1, 2,3 & 9	1	Beta 14
	AK/MINI/2CYL/602K/E01			Beta 16
	AK/MINI/3CYL/722K/E01	Beta 20		
	AK/MINI/3CYL/902K/E01	Beta 25		
5	202-08429	3 Bolt keel cooled end cap	1	
6	212-10468	3 Bolt keel cooled end cap 'O' ring	1	
7	217-00190Z	3 Bolt end cap bolt	3	
9	212-09070	2" Exhaust gasket	1	Orange type - From May 2011
10	AK/MINIK/EX/1502	1 1/2" BSP Exhaust flange assembly	1	
11	217-99293	M8 Flat washer	4	
12	217-99292	M8 Spring washer	4	
13	217-99299	M8 x 25mm Set bolt	4	
14	212-99232	1/2" BSPT 3/4" hose connector	1	
15	209-80050	3/8" BSP plug	1	

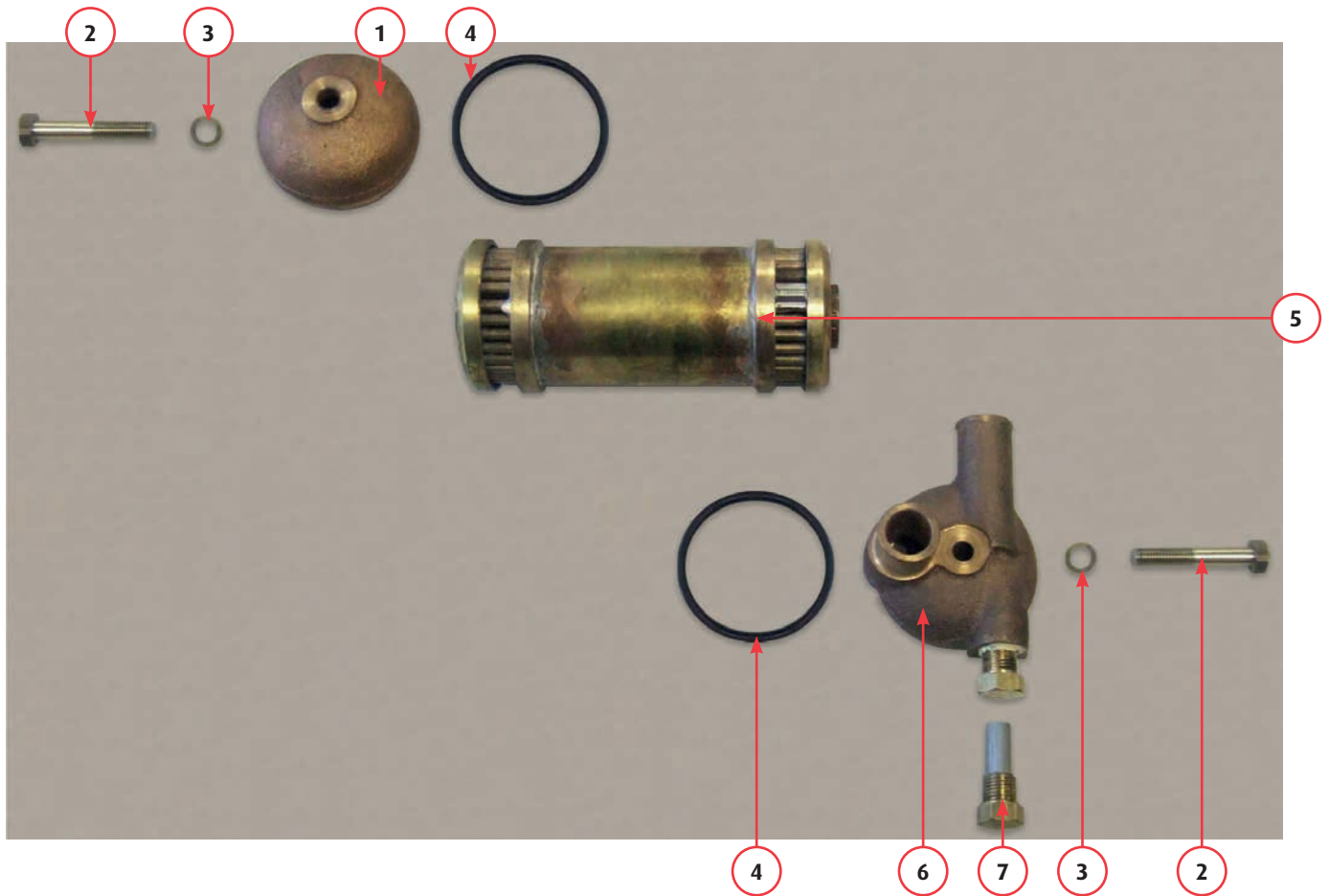


Ref.	Part No.	Description	Qty	Comments
1	209-01826/01	Assemblies discontinued and superseded, please contact Beta Marine	1	Beta 10 & 14
	209-06266			Beta 16
	209-01827/01			Beta 20
	209-04826			Beta 25
2	600-63070	Exhaust manifold gasket	1	Beta 10 & 14
	600-08350			Beta 16
	600-64210			Beta 20
	600-08351			Beta 25
3	201-01915	Mini manifold stud	4	Beta 10, 14 & 16
			6	Beta 20 & 25
4	217-99293	M8 Flat washer	4	Beta 10, 14 & 16
			6	Beta 20 & 25
5	217-99296	M8 Nyloc nut	4	Beta 10, 14 & 16
			6	Beta 20 & 25
6	200-08619	Exhaust manifold spacer	2	Beta 10, 14 & 16
			3	Beta 20 & 25
7	212-08626	Exhaust spacer gasket	2	Beta 10, 14 & 16
			3	Beta 20 & 25
8	212-09070	2" Exhaust gasket	1	Orange type - From May 2011
9	209-80050	3/8" BSP plug	1	
10	212-99236	1/2" BSP 3/4" brass elbow	1	
11	212-07371	1/2" BSP brass lock nut	1	

## Beta 10, 14, 16, 20 & 25 (non turbo) Single Bolt Heat Exchanger Manifolds - To 2011



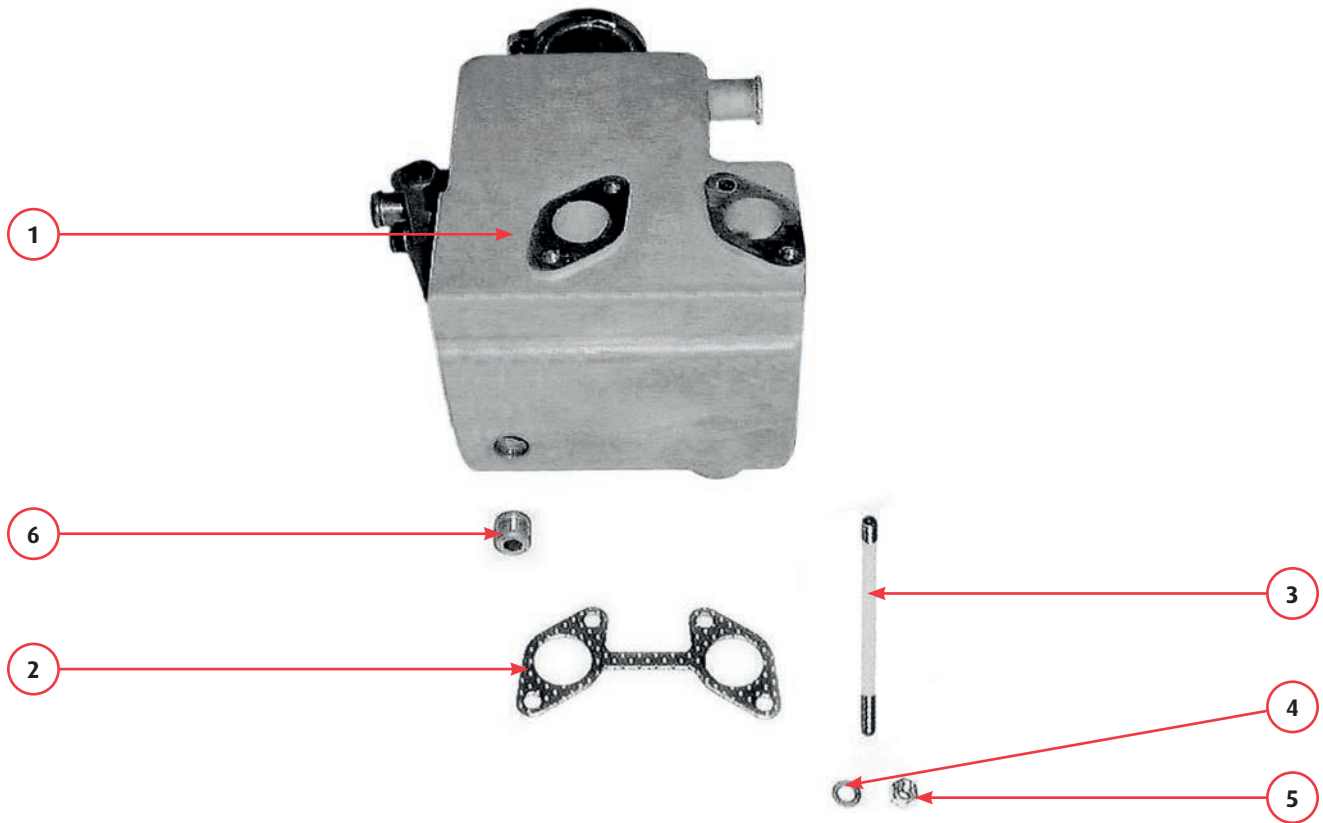
Ref.	Part No.	Description	Qty	Comments
1	209-02167/01	Filler neck 'O' ring	1	
2	209-80130	Twin seal pressure cap	1	
3	209-02167	Filler neck assembly	1	
4	209-01826/01	Assemblies discontinued and superseded, please contact Beta Marine	1	Beta 10 & 14
	209-06266			Beta 16
	209-01827/01			Beta 20
	209-04826			Beta 25
5	212-98464	Stainless steel hose clip 22-30mm	1	
6	209-91760	22mm ID Rubber elbow	1	
7	202-02458	2" OD Water injection bend	1	From October 2002
8	212-09070	2" Exhaust gasket	1	Orange type - From May 2011
9	217-99293	M8 Flat washer	4	
10	217-99292	M8 Spring washer	4	
11	217-99299	M8 x 25mm Set bolt	4	
12	212-98464	Stainless steel hose clip 22-30mm	1	
13	209-80050	3/8" BSP plug	1	
14	212-99236	1/2" BSP 3/4" brass elbow	1	
15	212-07371	1/2" BSP brass lock nut	1	



Ref.	Part No.	Description	Qty	Comments
1	209-80100/01	Single bolt return end cap	1	
2	209-00016	Single bolt end cap bolt	2	1 per end cap
3	209-00017	M8 End cap bonded seal	2	1 per end cap
4	209-80110	Single bolt end cap 'O' ring	2	
5	209-03975	Single bolt end cap tubestack	1	Beta 10 & 14
	209-03976			Beta 16 & 20
	209-80210			Beta 25
6	209-80440	Single bolt 22mm open end cap	1	
7	209-61840	Sacrificial zinc anode	1	

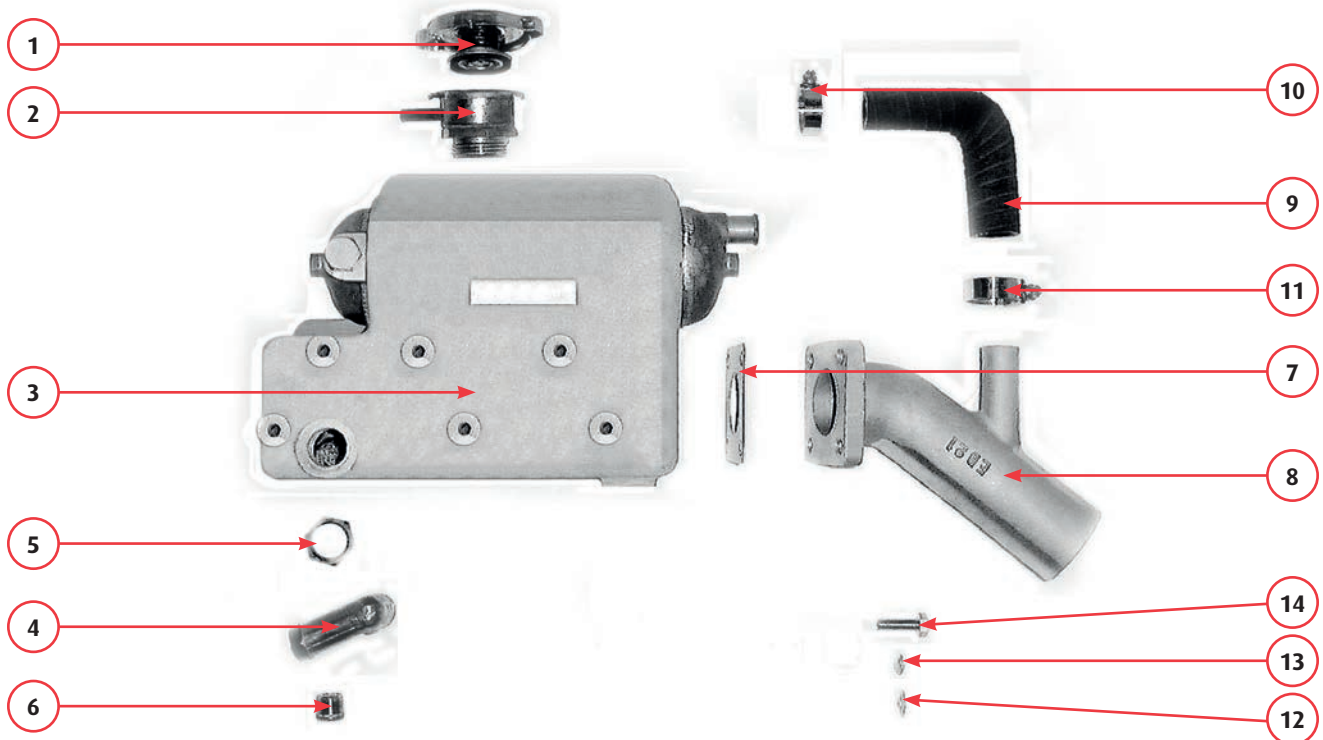
This page is intentionally blank.



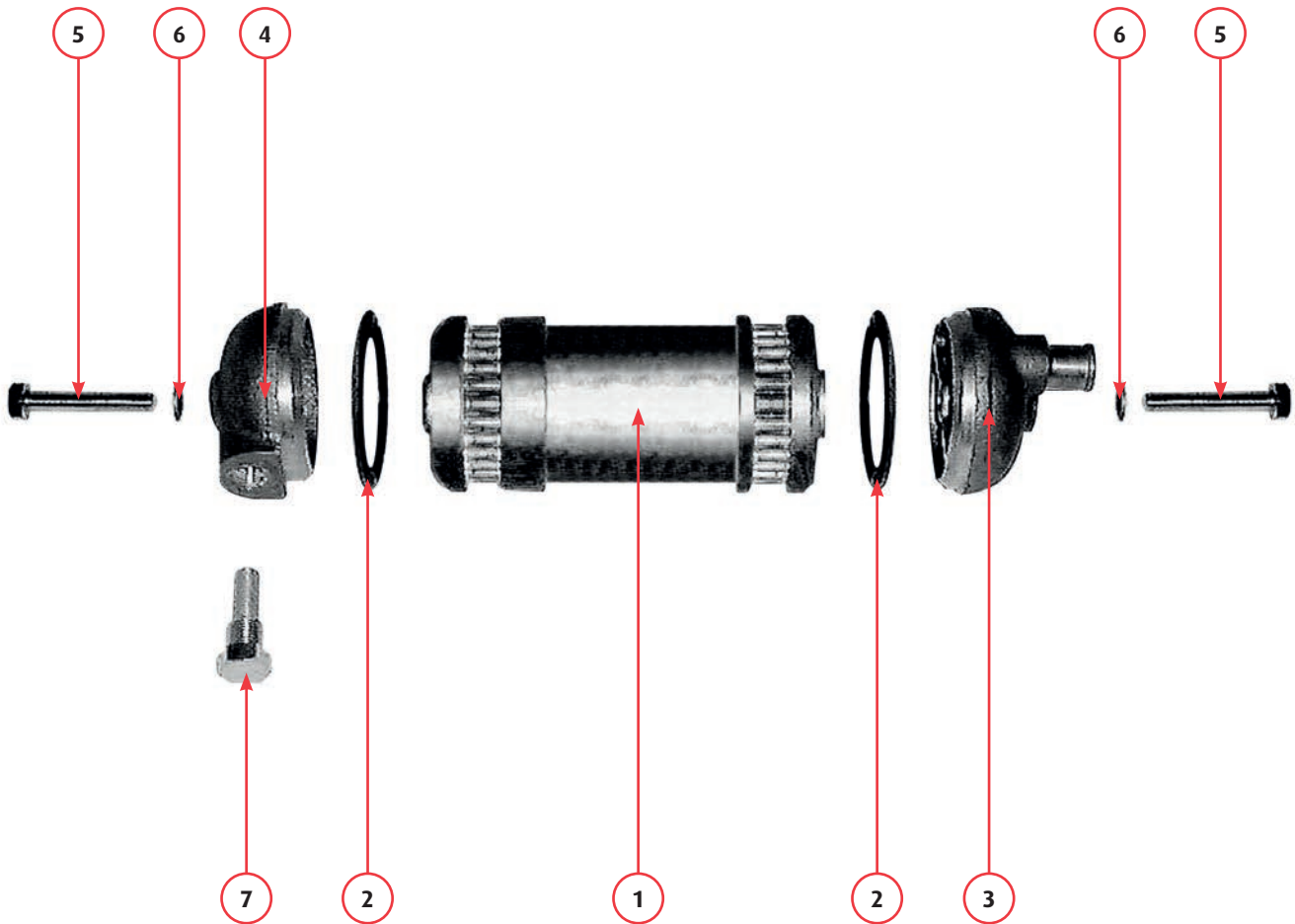


Ref.	Part No.	Description	Qty	Comments
1	209-61930	Assemblies discontinued and superseded, please contact Beta Marine	1	Beta 10 & 14
	209-61940			Beta 20
2	600-63070	Manifold gasket	1	Beta 10 & 14
	600-64210			Beta 20
3	201-68450/02	Mini manifold stud (cast manifold)	4	Beta 10 & 14
			6	Beta 20
4	217-99276	M6 Flat washer	4	Beta 10 & 14
			6	Beta 20
5	217-99278	M6 Nyloc nut	4	Beta 10 & 14
			6	Beta 20
6	209-80050	3/8" BSP plug	1	

## Beta 10, 14 & 20 (non turbo) Cast Manifolds - To July 2002

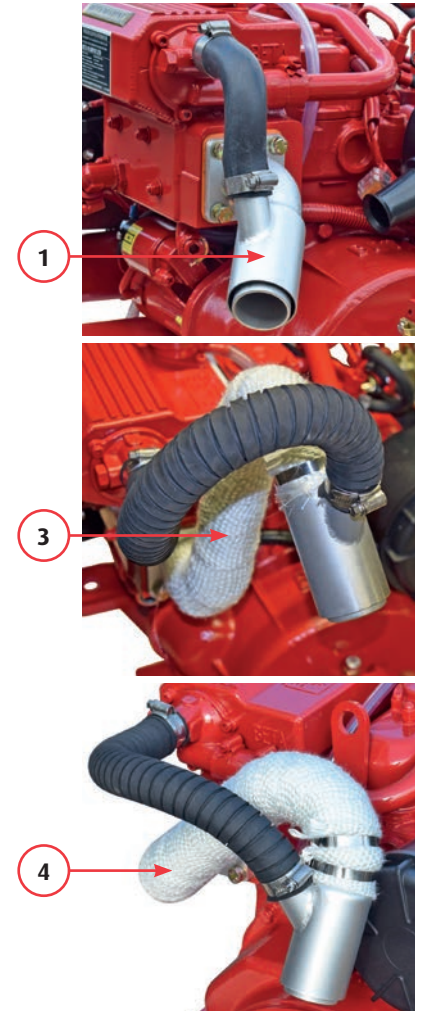
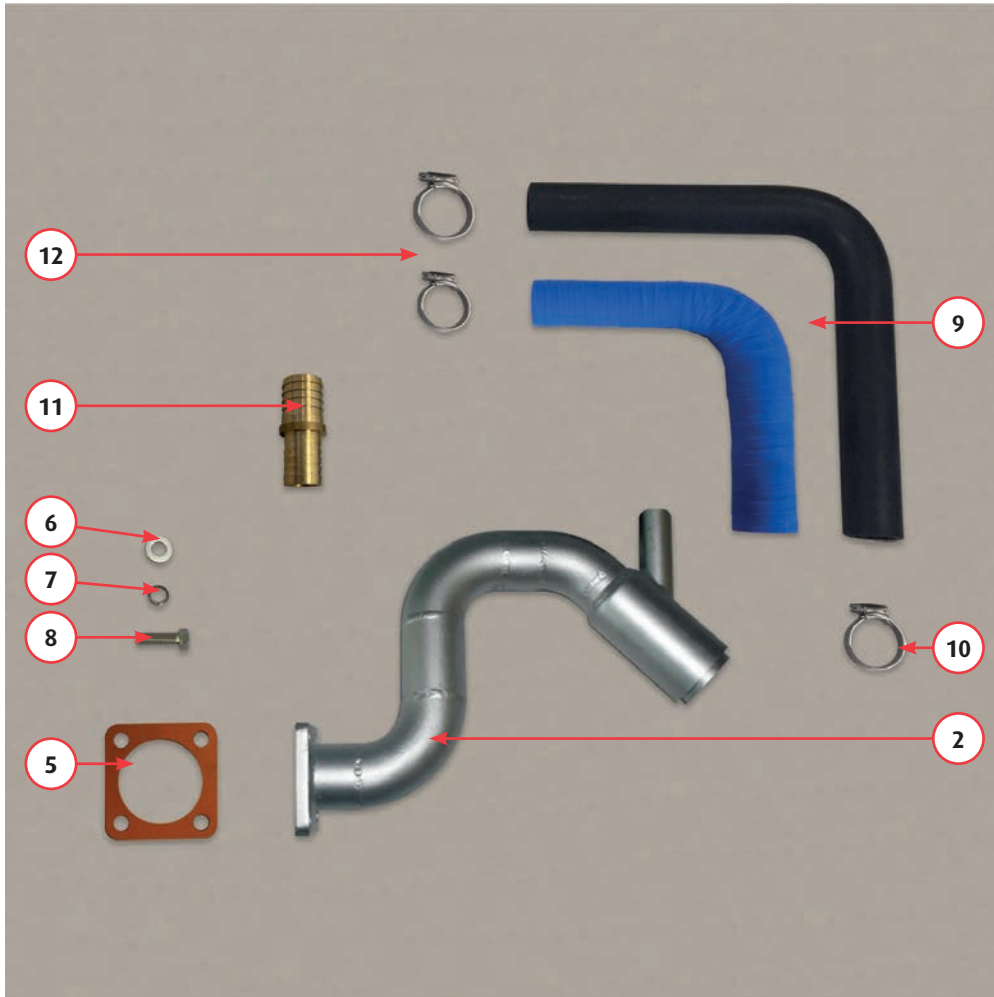


Ref.	Part No.	Description	Qty	Comments
1	209-80130	Twin seal pressure cap	1	
2	209-00015	Filler neck assembly	1	
3	209-61930 209-61940	Assemblies discontinued and superseded, please contact Beta Marine	1	Beta 10 & 14 Beta 20
4	212-99236	1/2" BSP 3/4" brass elbow	1	
5	212-07371	1/2" BSP brass lock nut	1	
6	209-80050	3/8" BSP plug	1	
7	212-09070	2" Exhaust gasket	1	
8	202-02458 202-98330	2" OD Water injection bend	1	From October 2002 To October 2002
9	209-98232	16mm x 22mm ID Reducing elbow	1	
10	212-98462	Stainless steel hose clip 17-25mm	1	
11	212-98464	Stainless steel hose clip 22-30mm	1	
12	217-99293	M8 Flat washer	4	
13	217-99292	M8 Spring washer	4	
14	217-99300	M8 x 30mm Set bolt	4	

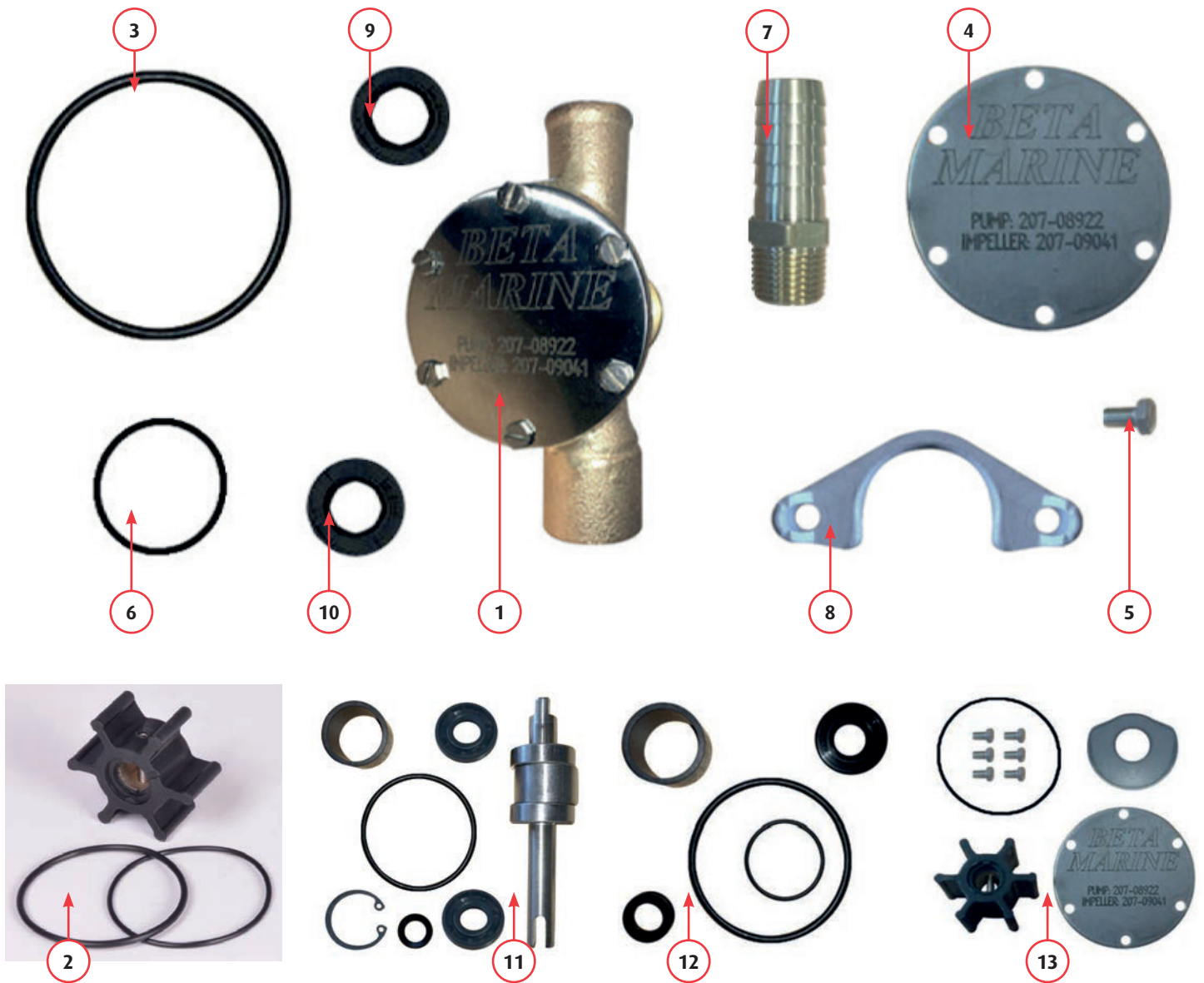


Ref.	Part No.	Description	Qty	Comments
1	209-03975	Tubestack	1	Beta 10 & 14
	209-03976			Beta 20
2	209-80110	'O' ring	2	
3	209-92110	Single bolt 15mm open end cap	1	
4	209-80100	Single bolt 15mm return end cap	1	
5	209-00016	Single bolt end cap bolt	1	
6	209-00017	M8 End cap bonded seal	1	
7	209-61840	Sacrificial zinc anode	1	

## Beta 10, 14, 16, 20 & 25 (non turbo) Optional Water Injection Bends



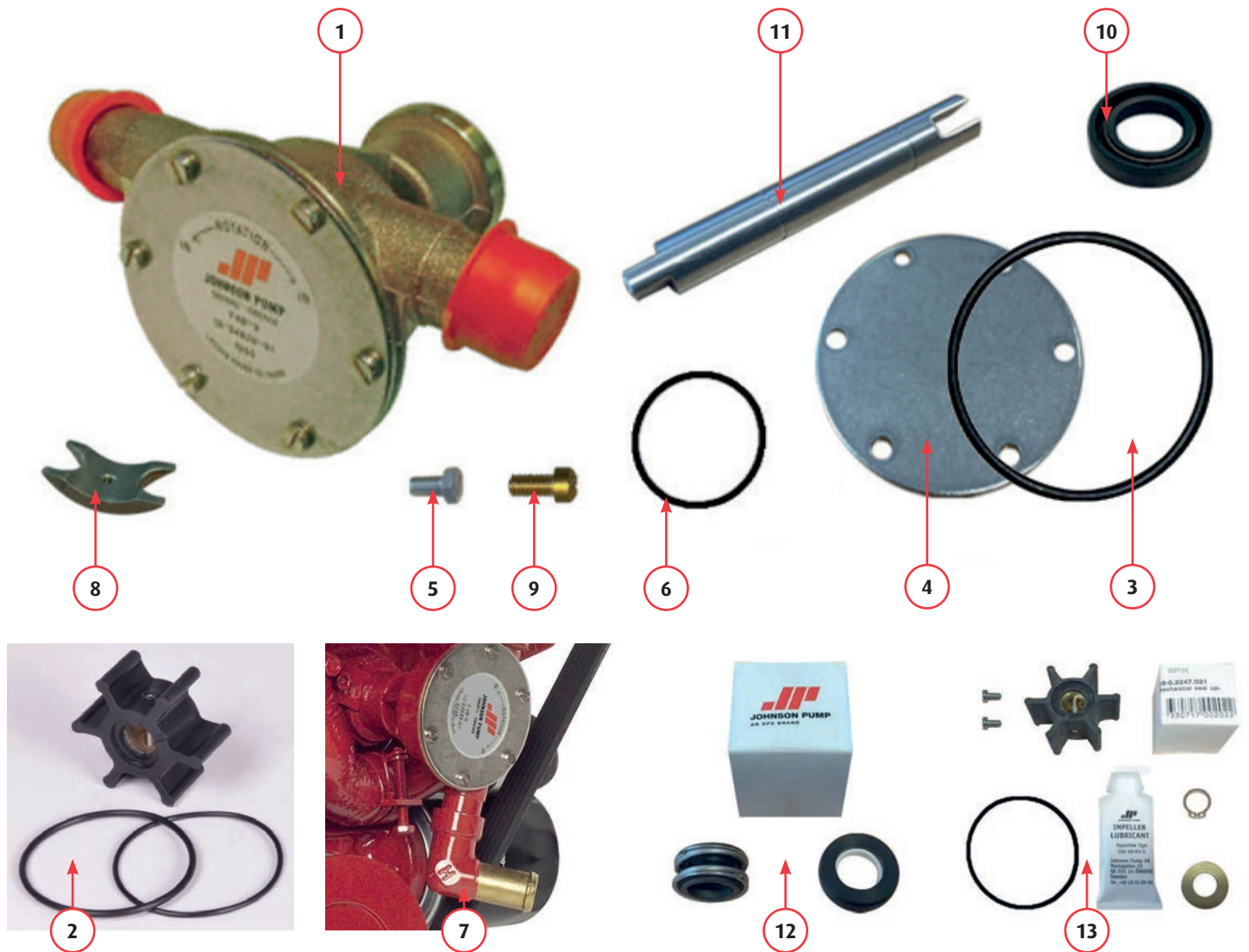
Ref.	Part No.	Description	Qty	Comments
1	202-90610	Stainless steel standard 50mm (2") OD x 25mm water injection bend	1	
2	202-92400/22	Stainless steel 150mm (6") High rise x 50mm (2") OD x 25mm water injection bend		
3	202-94330/22	Stainless steel 200mm (8") High rise x 50mm (2") OD x 25mm water injection bend		Cross over to starboard
4	202-06504	Stainless steel 140mm (5.5") High rise x 50mm (2") OD x 25mm water injection bend		Volvo cross over to starboard - NOT Beta 30 - From March 2011
5	212-09070	Exhaust gasket	1	Orange type - From May 2011
6	217-99293	M8 Flat washer	4	
7	217-99292	M8 Spring washer	4	
8	217-99299	M8 x 25mm Bolt set	4	
9	218-03471	Corrugated radiator hose 25mm ID - 0.43m OAL	1	To suit 25mm manifold - From 2013
	218-06368	Corrugated radiator hose 22mm ID - 0.43m OAL		To suit 22mm manifold - From 2009
10	212-98464	Stainless steel hose clip 22-30mm	1	
11	212-07575	Brass hose adaptor 22-25mm ID	1	To suit 22mm manifold - From 2009
12	212-98464	Stainless steel hose clip 22-30mm	1	To suit 22mm manifold - From 2009
	212-98462	Stainless steel hose clip 17-25mm		To suit 16mm manifold - To 2009
13	212-00234/01	Glass fibre exhaust lagging 3mm deep x 50mm wide	2m	
14	212-09630	Stainless steel tie 300mm OAL	2	



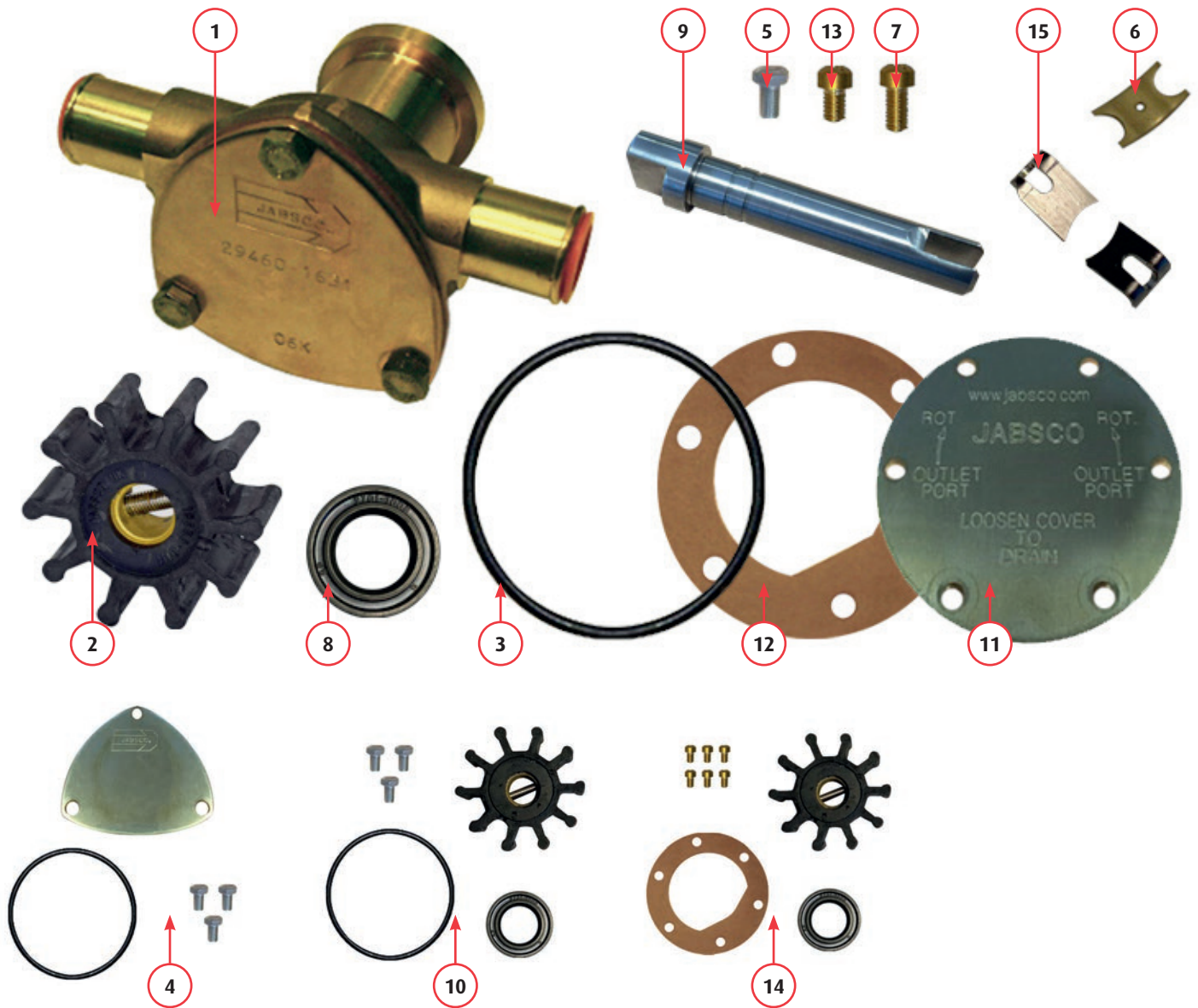
Ref.	Part No.	Description	Qty	Comments
1	207-08922	Beta Marine sea water pump - complete	1	From June 2013
2	207-09041-KIT	Impeller kit	1	
3	207-09279	Sea water pump end cover 'O' ring	1	
4	207-09481	Sea water pump end cover plate	1	
5	207-09483	Sea water pump end cover plate screw	6	
6	209-08266	Sea water pump to engine 'O' ring	1	
7	212-99232	Sea water pump end hose tail	1	1/2" BSPM x 3/4"
8	202-23208	Sea water pump clamp	1	
9	207-09351	Sea water pump lip seal	1	28mm
10	205-10361	Sea water pump lip seal	1	24mm
11	207-09229	Sea water pump shaft kit	1	
12	207-09228	Sea water pump seal kit	1	
13	207-09909	Sea water pump wear kit	1	



Beta 10, 14, 16, 20 & 25 (non turbo) Johnson Sea Water Pump - From July 2006 to June 2013

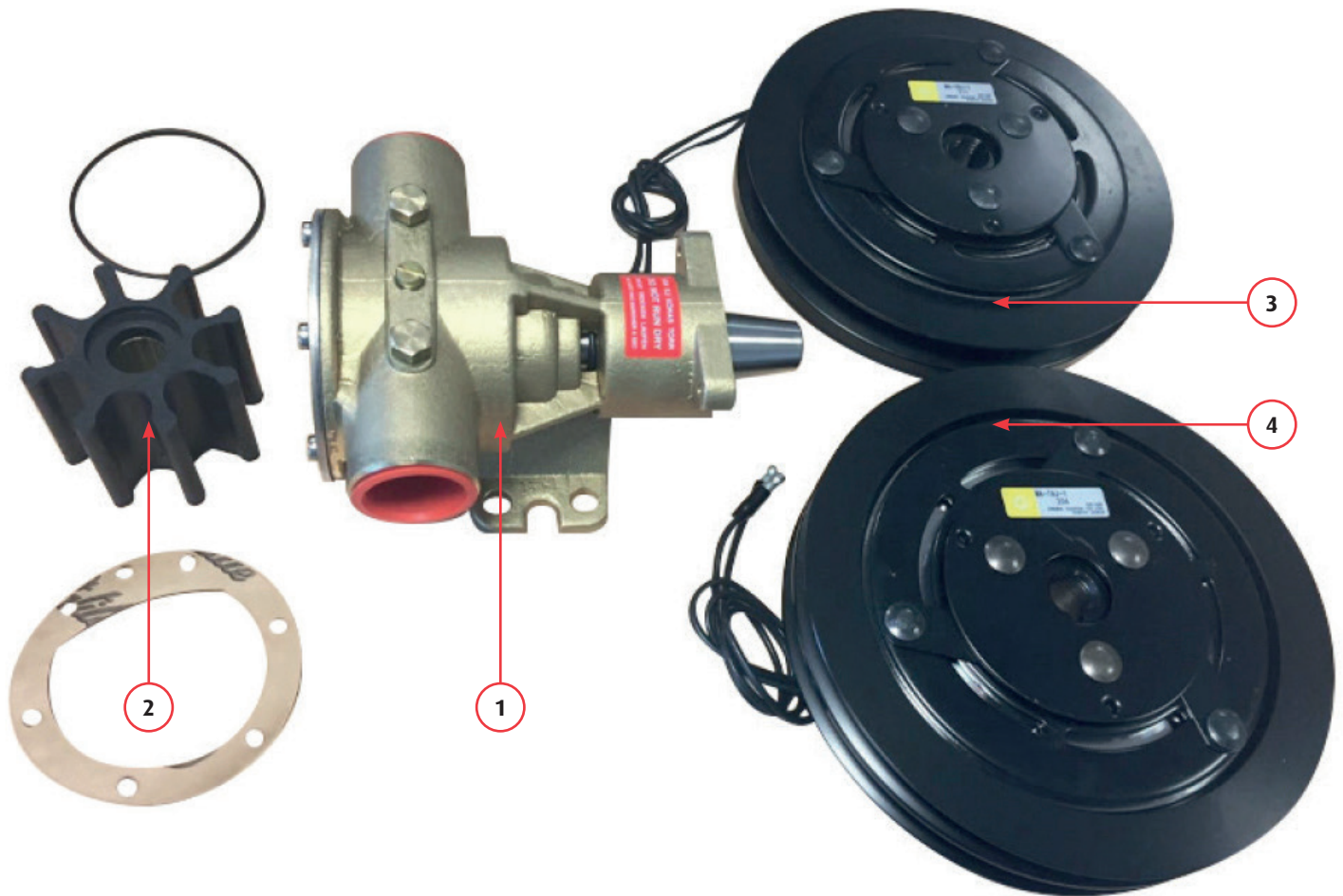


Ref.	Part No.	Description	Qty	Comments
1	207-61500/01	Johnson sea water pump - complete	1	
2	207-09041-KIT	Impeller kit	1	
3	207-09279	Sea water pump end cover 'O' ring	1	
4	207-05478	Sea water pump end cover plate	1	
5	207-05479	Sea water pump end cover plate screw	6	
6	209-08266	Sea water pump to engine 'O' ring	1	
7	212-99238	Sea water pump end hose tail	1	1/2" BSPM x 3/4" 90° elbow
8	207-06152	Sea water pump cam	1	
9	207-07494	Sea water pump cam screw	1	
10	207-06494	Sea water pump lip seal	1	
11	207-06520	Sea water pump shaft	1	
12	207-08636	Sea water pump mechanical seal	1	
13	207-07714	Sea water pump service kit	1	

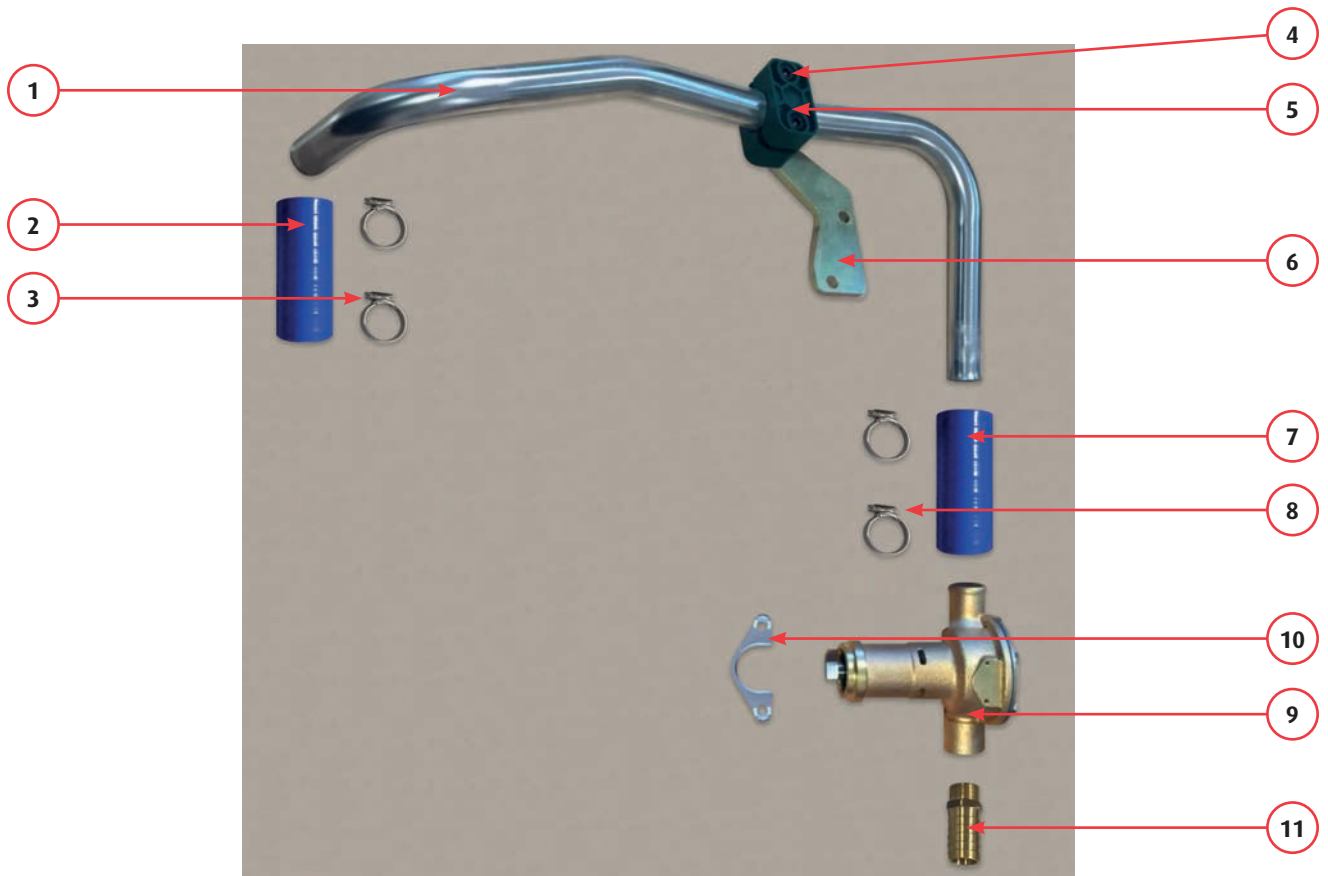


Ref.	Part No.	Description	Qty	Comments
1	207-61500	Jabsco sea water pump - complete	1	To July 2006
2	207-79630	Impeller	1	
3	207-04206	Sea water pump end cover 'O' ring	1	
4	207-00138/01	Sea water pump end cover kit	1	
5	207-04207	Sea water pump end cover plate screw	3	
6	207-01134	Sea water pump cam	1	3 screw - From March 2004 to July 2006
7	207-01322	Sea water pump cam screw	1	
8	207-02239	Sea water pump lip seal	1	
9	207-01060	Sea water pump shaft	1	
10	AK/MINI/HE/SWPI/001	Sea water pump service kit	1	
11	207-00507	Sea water pump end cover plate	1	
12	207-62600	Sea water pump end cover gasket	1	6 screw - To March 2004
13	207-00062	Sea water pump end cover plate screw	6	
14	207-61470	Sea water pump service kit	1	
15	202-01382	Sea water pump clamp	1	Pair

## Johnson 1" 12 Volt Clutched Pump



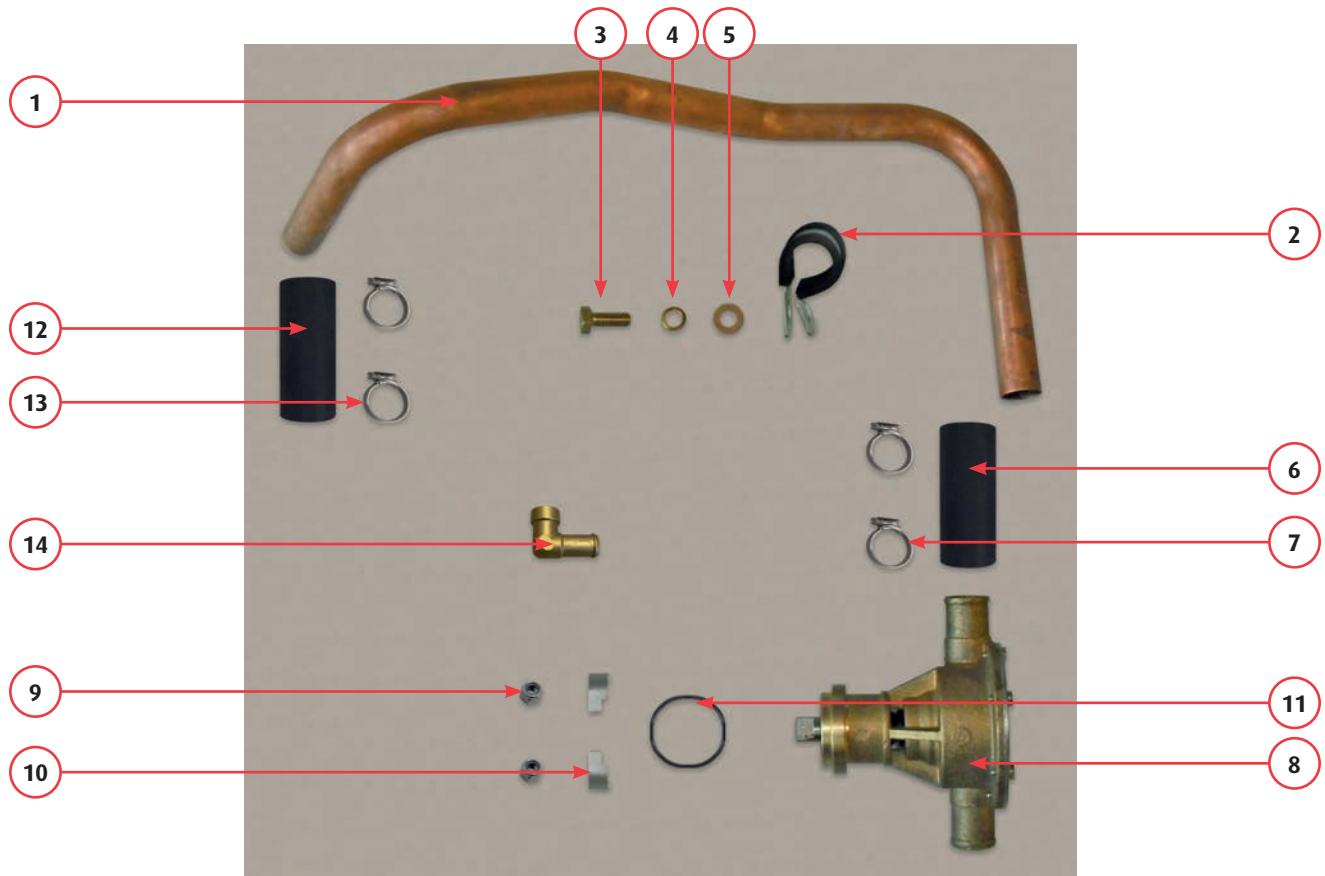
Ref.	Part No.	Description	Qty	Comments
1	207-07685	Sea water pump - complete	1	
2	207-10709	Impeller kit	1	
3	207-09856	Electro magnetic 12v clutch & 1 x SPB pulley	1	
4	207-07685/01	Electro magnetic 12v clutch & 2 x SPB pulley	1	



Ref.	Part No.	Description	Qty	Comments
1	209-09198	Sea water cooling pipe - 22mm	1	Beta 10 & 14
	209-09199			Beta 16
	209-09200			Beta 20
	209-09201			Beta 25
2	209-91760/02	Sea water pump cooling pipe 22 mm ID silicon hose	0.06m	
3	212-98464	Stainless steel hose clip 22-30mm	2	
4	217-99284/01	Sea water cooling pipe clamp screw	2	
5	212-09281	Sea water cooling pipe clamp	1	
6	202-08867	Sea water cooling pipe bracket	1	
7	209-91760/02	Sea water pump cooling pipe 22 mm ID silicon hose	0.06m	
8	212-98464	Stainless steel hose clip 22-30mm	2	
9	207-08922	Sea water pump	1	Beta Marine - From June 2013
10	202-23208	Sea water pump clamp	1	
11	212-99232	1/2" BSPT 3/4" hose connector	1	

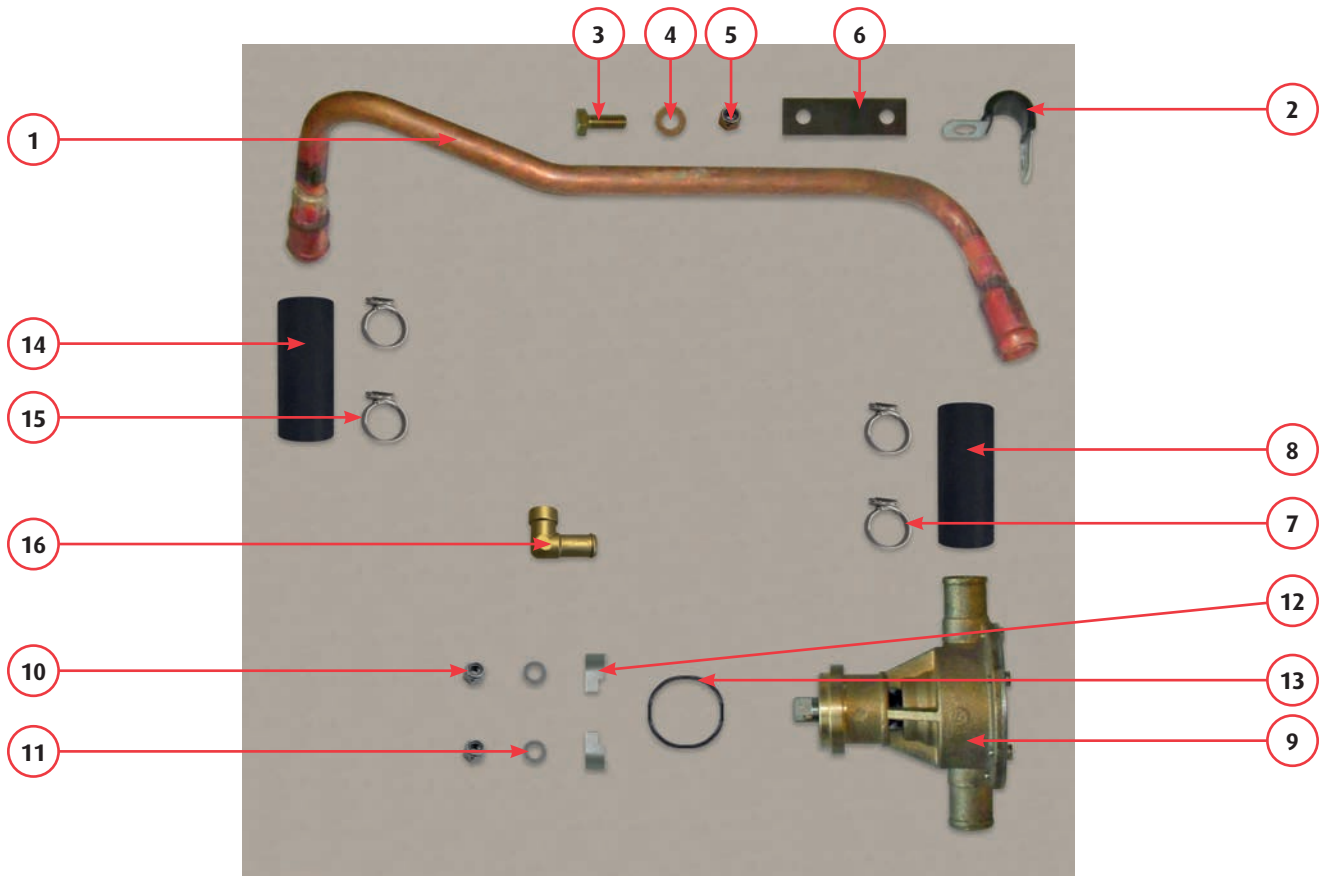


Beta 10, 14, 16, 20 & 25 (non turbo) Sea Water System - From December 2010 to June 2013



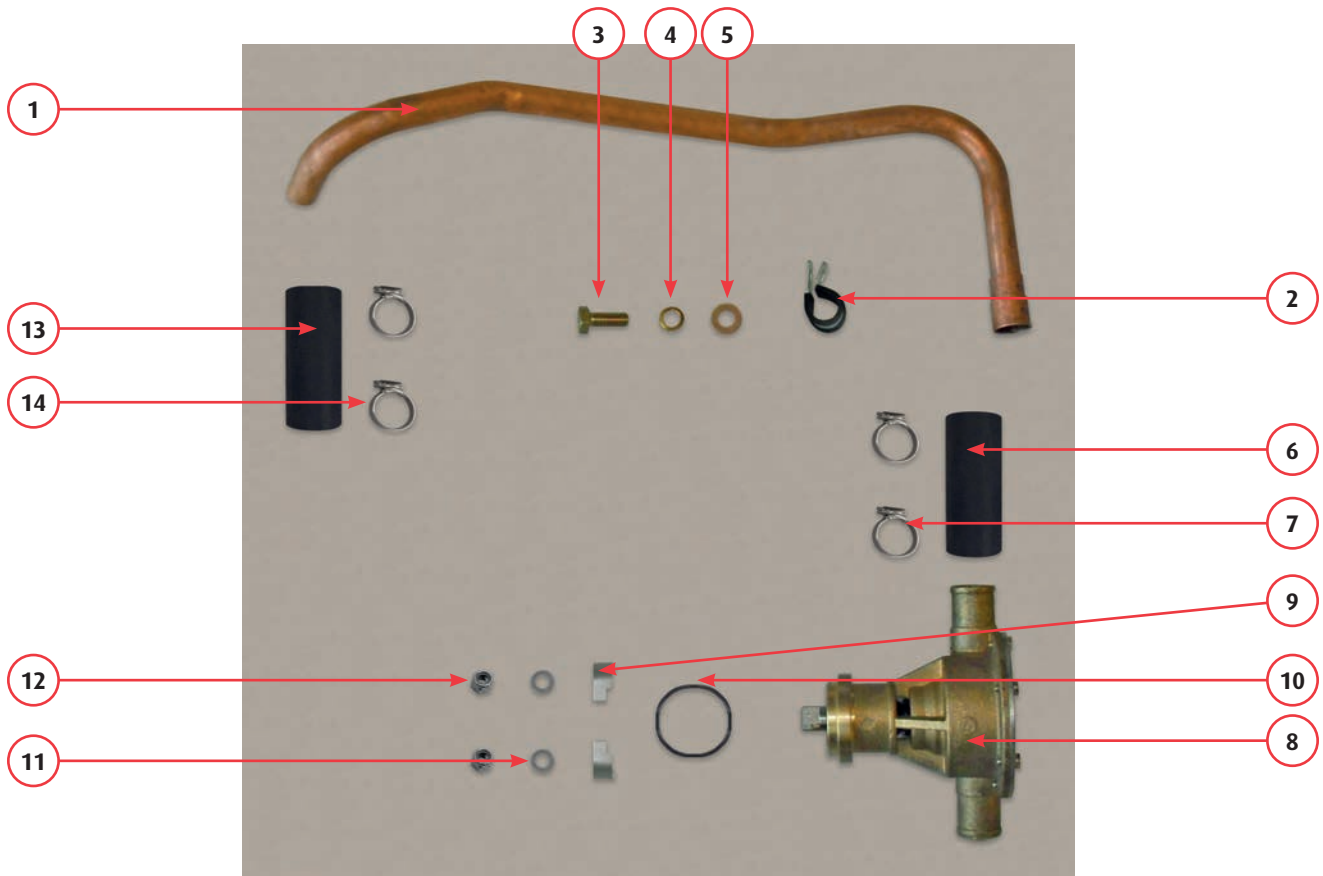
Ref.	Part No.	Description	Qty	Comments
1	209-08933	Sea water cooling pipe - 22mm	1	Beta 10 & 14
	209-08931			Beta 16
	209-08932			Beta 20
	209-08868			Beta 25
2	212-08056	Sea water cooling pipe mounting clip	1	
3	217-99298	M8 x 20mm Set bolt	1	
4	217-99292	M8 Spring washer	1	
5	217-99293	M8 Flat washer	1	
6	218-99249	7/8" ID (22mm) water hose	0.04m	
7	212-98464	Stainless steel hose clip 22-30mm	2	
8	207-61500/01	Sea water pump	1	Johnson - From July 2006 to June 2013 - Use to replace earlier Jabsco sea water pumps
9	217-00052	M6 Nut	2	
10	212-06547	Sea water pump clamp	2	
11	209-08266	Sea water pump to engine 'O' ring	1	
12	218-99249	7/8" ID (22mm) water hose	0.06m	
13	212-98464	Stainless steel hose clip 22-30mm	2	
14	212-99238	Sea water pump end hose tail	1	1/2" BSPM x 3/4" 90° elbow - If new sea water pump is being fitted to a Beta 25 this must be ordered at the same time



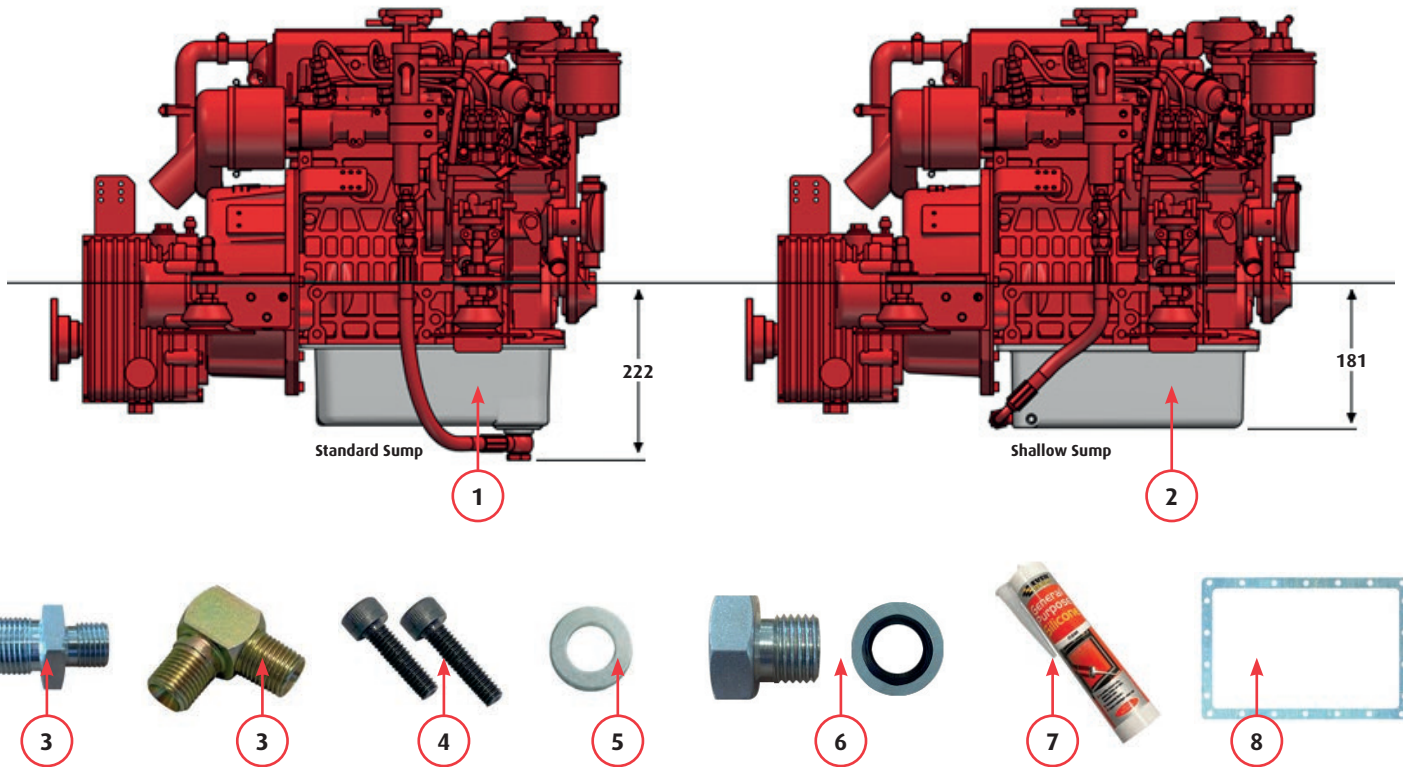


Ref.	Part No.	Description	Qty	Comments
1	209-80040	Sea water cooling pipe - 22mm	1	Beta 10, 14 & 16
	209-00071			Beta 20 & 25
2	212-99264	Sea water cooling pipe mounting clip	1	
3	217-99298	M8 x 20mm Set bolt	1	
4	217-99293	M8 Flat washer	1	
5	217-99296	M8 Nyloc nut	1	
6	202-05488	Sea water cooling pipe bracket	1	
7	212-98464	Stainless steel hose clip 22-30mm	2	
8	218-99249	7/8" ID (22mm) water hose	0.04m	
9	207-61500/01	Sea water pump	1	Johnson - From July 2006 to June 2013 - Use to replace earlier Jabsco sea water pumps
	207-61500			Jabsco - To July 2006
10	217-00052	M6 Nut	2	
11	217-99275	M6 Spring washer	2	
12	207-06446	Sea water pump clamp	2	Johnson clamp
	207-62760			Jabsco clamp
13	209-08266	Sea water pump to engine 'O' ring	1	Johnson clamp
				Jabsco clamp
14	218-99249	7/8" ID (22mm) water hose	0.06m	
15	212-98464	Stainless steel hose clip 22-30mm	2	
16	212-99238	Sea water pump end hose tail	1	1/2" BSPM x 3/4" 90° elbow - If new sea water pump is being fitted to a Beta 25 this must ordered at the same time

## Beta 10, 14 & 20 (non turbo) Sea Water System - To October 2002

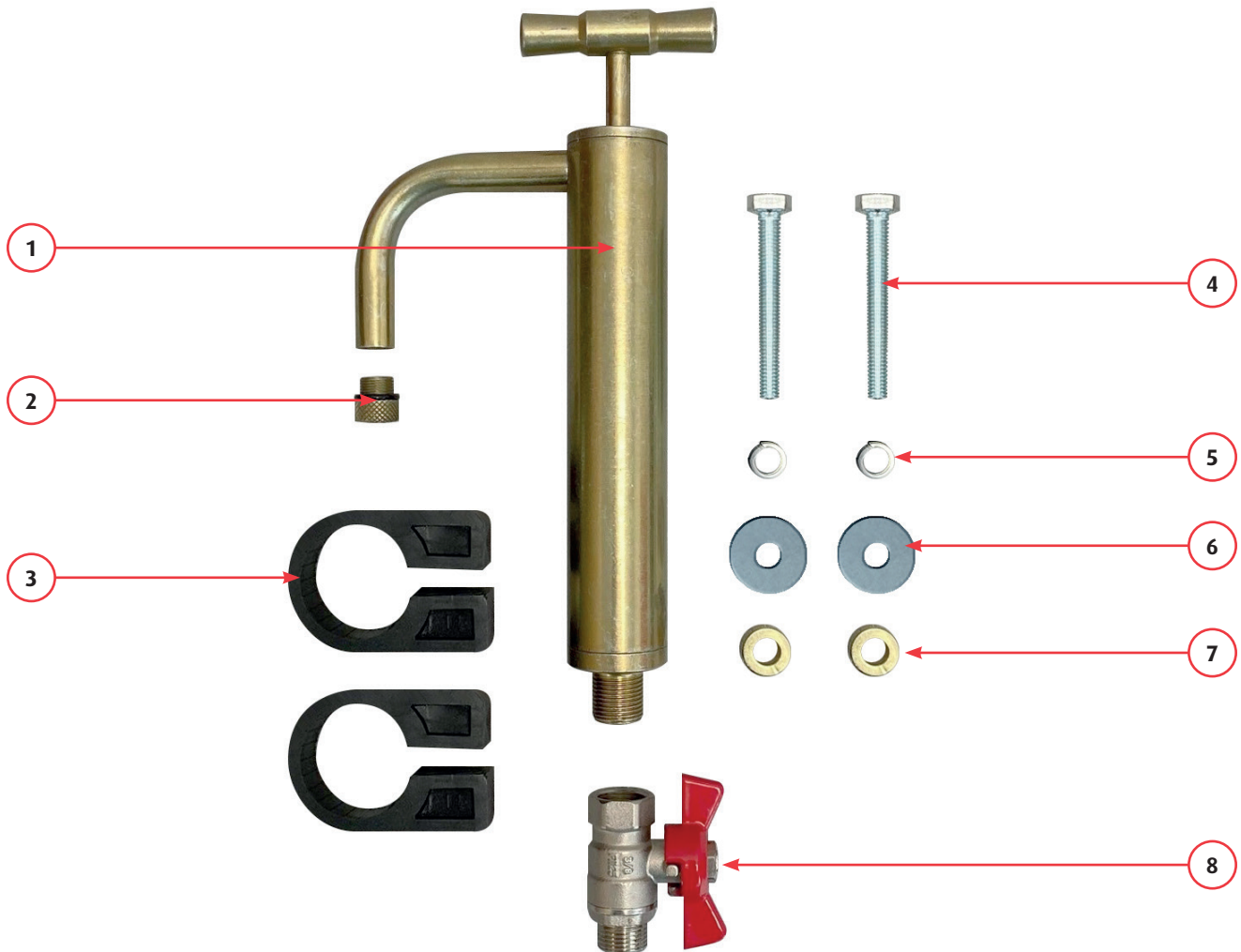


Ref.	Part No.	Description	Qty	Comments
1	209-80040/15	Sea water cooling pipe - 15mm	1	Beta 10 & 14
	209-00071/15			Beta 20
2	212-99264	Sea water cooling pipe mounting clip	1	
3	217-99279	M6 x 10mm Set bolt	1	
4	217-99275	M6 Spring washer	1	
5	217-99277	M6 Penny washer	1	
6	218-99249	7/8" ID (22mm) water hose	0.04m	
7	212-98464	Stainless steel hose clip 22-30mm	2	
8	207-61500	Sea water pump	1	Jabsco - To July 2006
9	207-62760	Sea water pump clamp	2	
10	209-08266	Sea water pump to engine 'O' ring	1	
11	217-99275	M6 Spring washer	2	
12	217-00052	M6 Nut	2	
13	218-99390	5/8" ID (15mm) water hose	0.04m	
14	212-98462	Stainless steel hose clip 17-25mm	2	



Ref.	Part No.	Description	Qty	Comments
1	600-03286	Standard replacement sump only - No fittings	1	Beta 10 & 14
	600-23951			Beta 16
	600-02734			Beta 20
	600-23269			Beta 25
2	AK/MINI/4/2/001	Shallow sump kit - Includes sump, sump gasket, elbow and sump drain pump pipe	1	Beta 10 & 14
	AK/MINI/4/2/161			Beta 16
	AK/MINI/4/3/001			Beta 20
	AK/MINI/4/3/251			Beta 25
3	212-99385	1/4" BSP x 3/8" BSP M x M Sump plug adaptor	1	From October 2008
	212-00082	1/4" BSP x 1/4" BSP M x M Sump plug elbow adaptor		To October 2008
	212-99384	1/4" BSP bonded seal		
4	217-05331	M6 x 25 mm Set bolt	14	Beta 10 & 14
			18	Beta 20
	217-99289	M6 x 20 mm Set bolt	14	Beta 16
			22	Beta 25
5	217-99276	M6 Flat washer	14	Beta 10, 14 & 16
			18	Beta 20
			22	Beta 25
6	212-07974	1/4" BSP sump plug	1	Only when no sump pump fitted
	212-99384	1/4" BSP bonded seal		
7	219-99369	Neutral silicon sealant	1	
8	600-00573	Sump gasket	1	Beta 10 & 14
	202-08495			Beta 16
	600-00572			Beta 20
	202-08494			Beta 25

## Beta 10, 14, 16, 20 & 25 (non turbo) Oil System Components



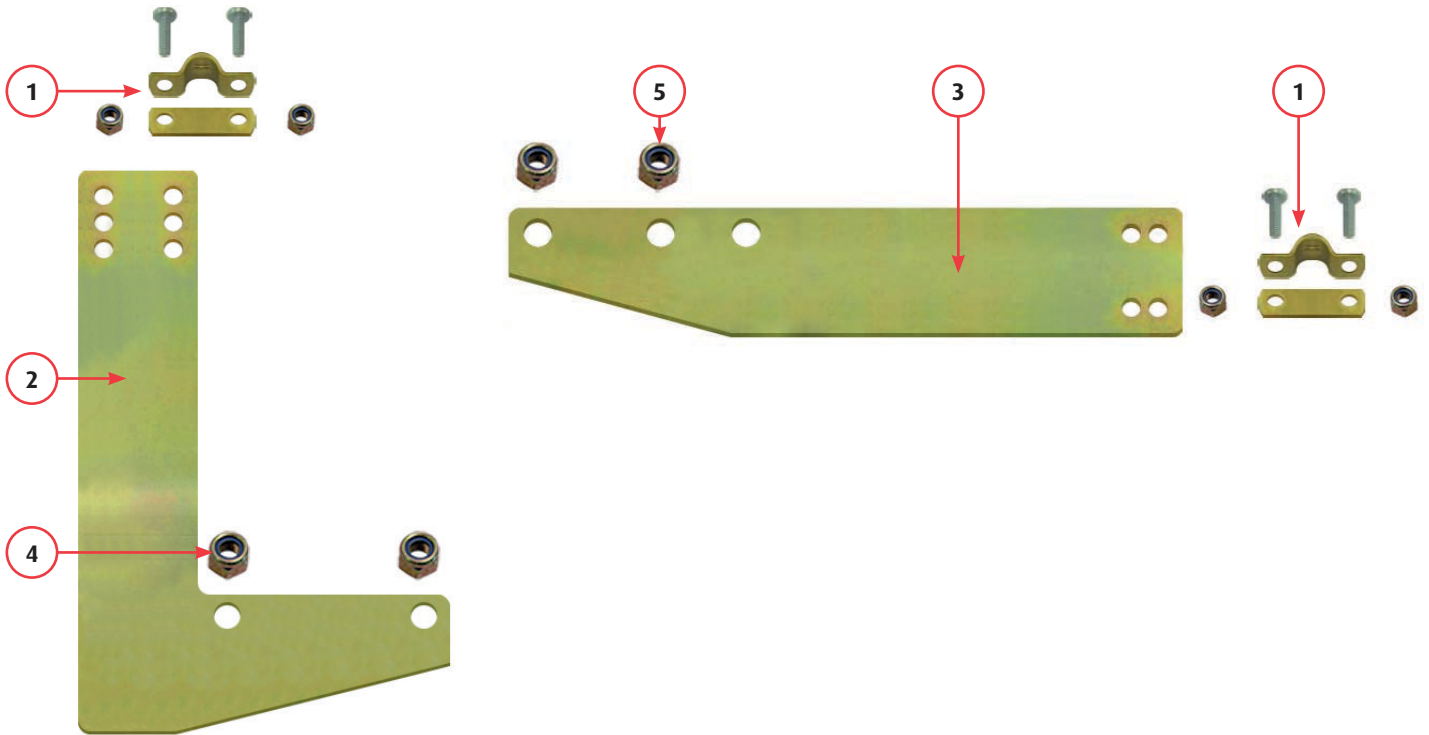
Ref.	Part No.	Description	Qty	Comments
1	210-80061	Sump drain pump	1	
2	207-00666	Sump drain pump drip stop	1	
3	212-00793	Sump drain pump clamp	2	PCL14, 34mm ID - From September 2001
	217-99436			PCL12, 30mm ID - To September 2001
4	217-99304	M8 x 60mm set bolt	2	From August 2020
	217-99305	M8 x 70mm set bolt		From September 2001 to August 2020
	217-99304	M8 x 60mm set bolt		To September 2001
5	217-99292	M8 Spring washer	2	
6	217-99294	M8 Penny washer	2	
7	217-99294	Short sump pump spacer	2	From August 2020
	201-58920/01			10mm OAL - From September 2001 to August 2020
	201-58920			20mm OAL - To September 2001
8	210-94530	3/8" BSP M x F Tap	1	



Ref.	Part No.	Description	Qty	Comments
1	210-03154	3/8" BSP STR-STR 390mm Sump pump drain pipe	1	Beta 10, 14 & 20 Standard sump
2	210-05047	3/8" BSP STR-M22 Banjo 380mm Sump pump drain pipe	1	Beta 16 & 25 Standard sump
3	210-08317	3/8" BSP STR-90 Degree STR 290mm Sump pump drain pipe	1	Beta 10, 14 & 16 Shallow sump
4	210-04311	3/8" BSP STR-90 Degree STR 330mm Sump pump drain pipe	1	Beta 20 & 25 Shallow sump
5	210-04396	3/8" BSP STR-90 Degree STR 240mm Sump pump drain pipe	1	Beta 14SD, 16SD, 20SD & 25SD adapted to suit Volvo saildrive legs

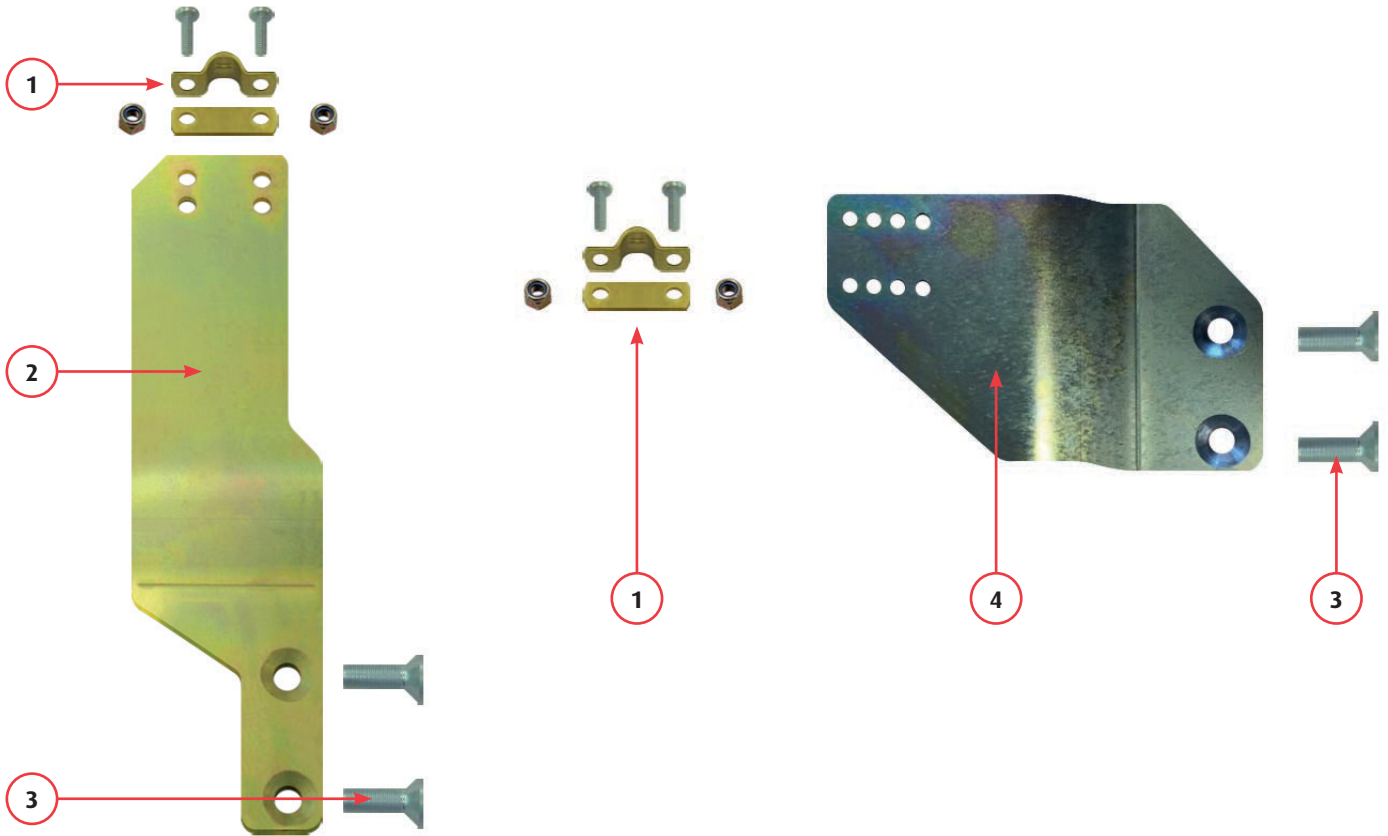


This page is intentionally blank.

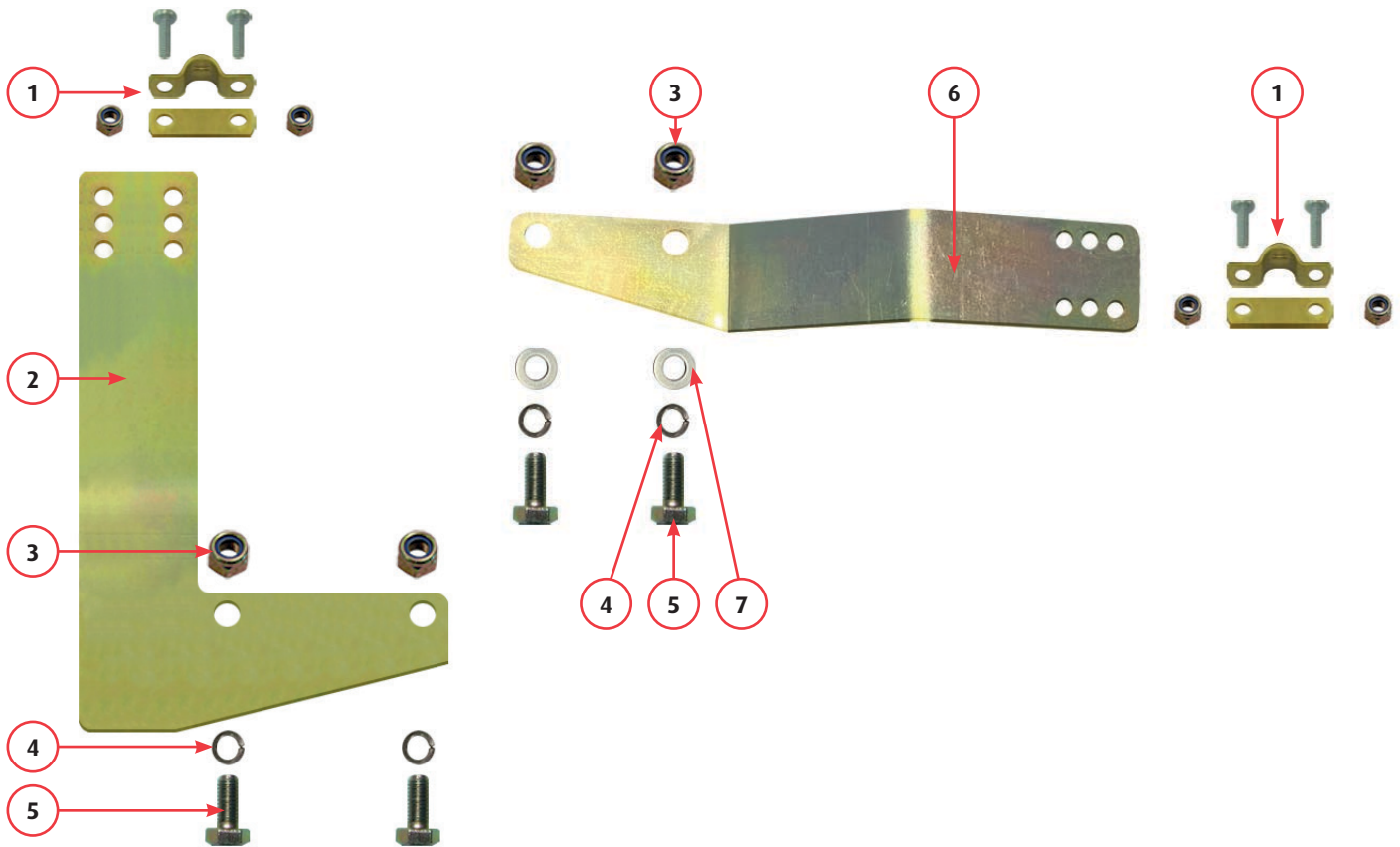


Ref.	Part No.	Description	Qty	Comments
1	212-99241/01	Saddle clamp fitting kit	1	
2	202-21034	PRM vertical morse control bracket	1	
3	202-09311	PRM horizontal morse control bracket	1	
4	217-99296	M8 Nyloc nut	2	
5	217-06472	M8 Half nyloc nut	2	

## Beta 10, 14, 16, 20 & 25 (non turbo) PRM80, 90, 120 & 125 Morse Control Brackets

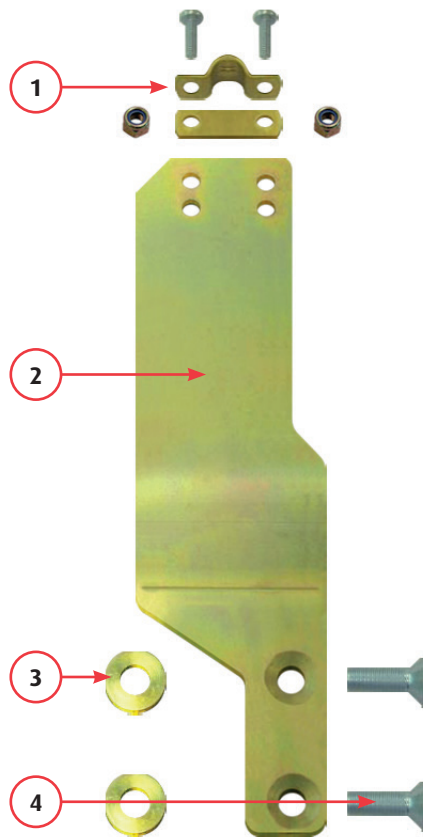


Ref.	Part No.	Description	Qty	Comments
1	212-99241/01	Saddle clamp fitting kit	1	
2	202-05129	PRM vertical morse control bracket	1	
3	217-99315	M8 x 20mm Countersunk set screw	2	
4	202-05208	PRM horizontal morse control bracket	1	



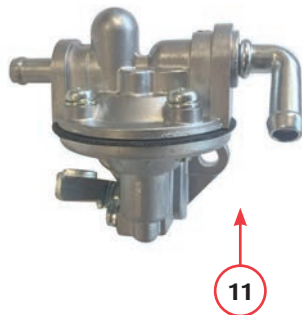
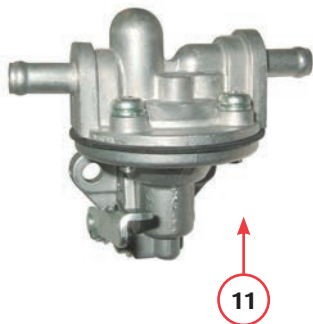
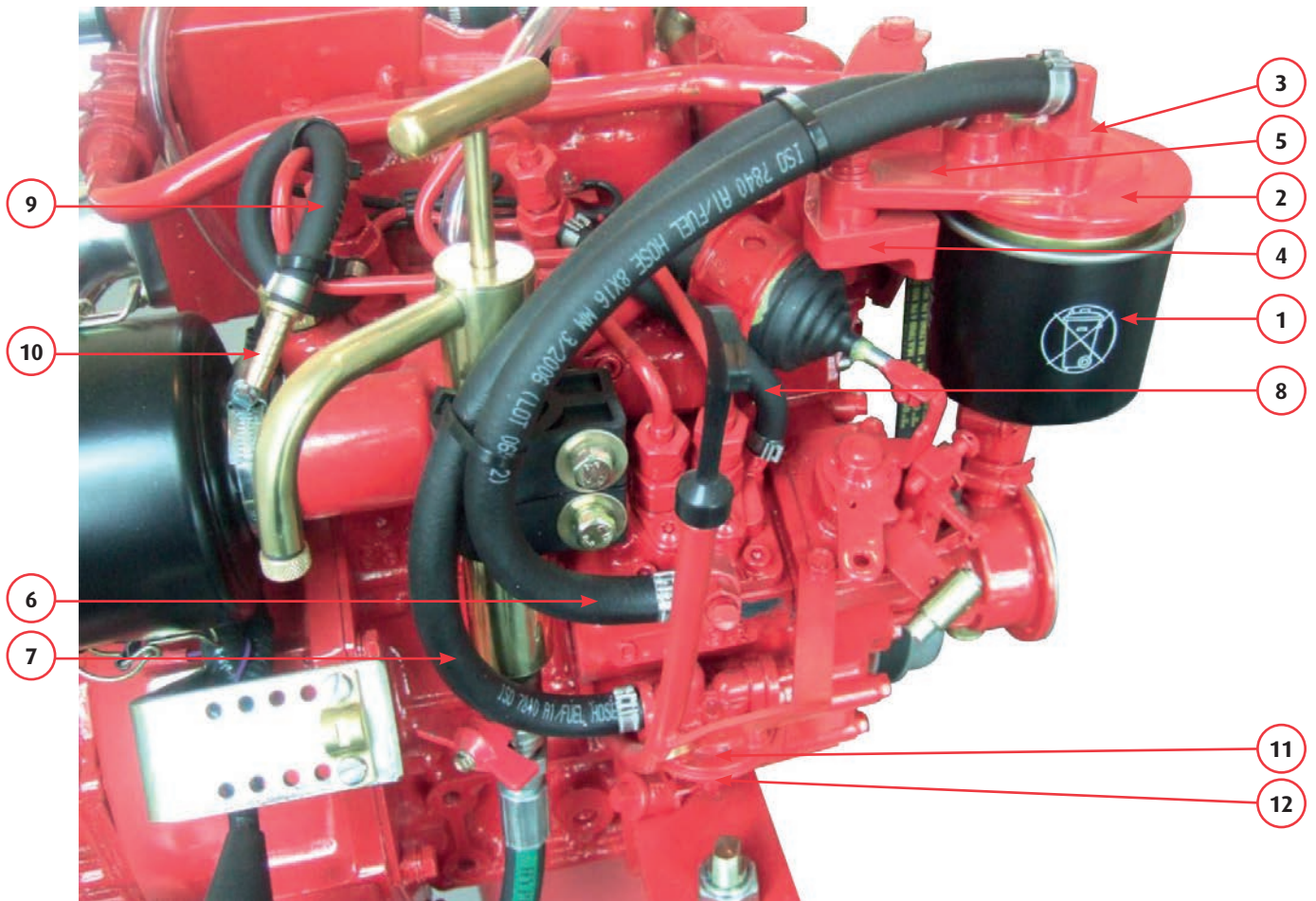
Ref.	Part No.	Description	Qty	Comments
1	212-99241/01	Saddle clamp fitting kit	1	
2	202-61582/01	TMC40 vertical morse control bracket	1	
3	217-06472	M8 Nyloc half nut	2	
4	217-99292	M8 Spring washer	2	Only required up to April 2007
5	217-99297	M8 x 16mm Bolt set	2	Only required up to April 2007
6	202-09311	TMC40 horizontal morse control bracket	1	
7	217-99293	M8 Flat washer	2	

## Beta 10, 14, 16, 20 & 25 (non turbo) TMC60 Morse Control Brackets



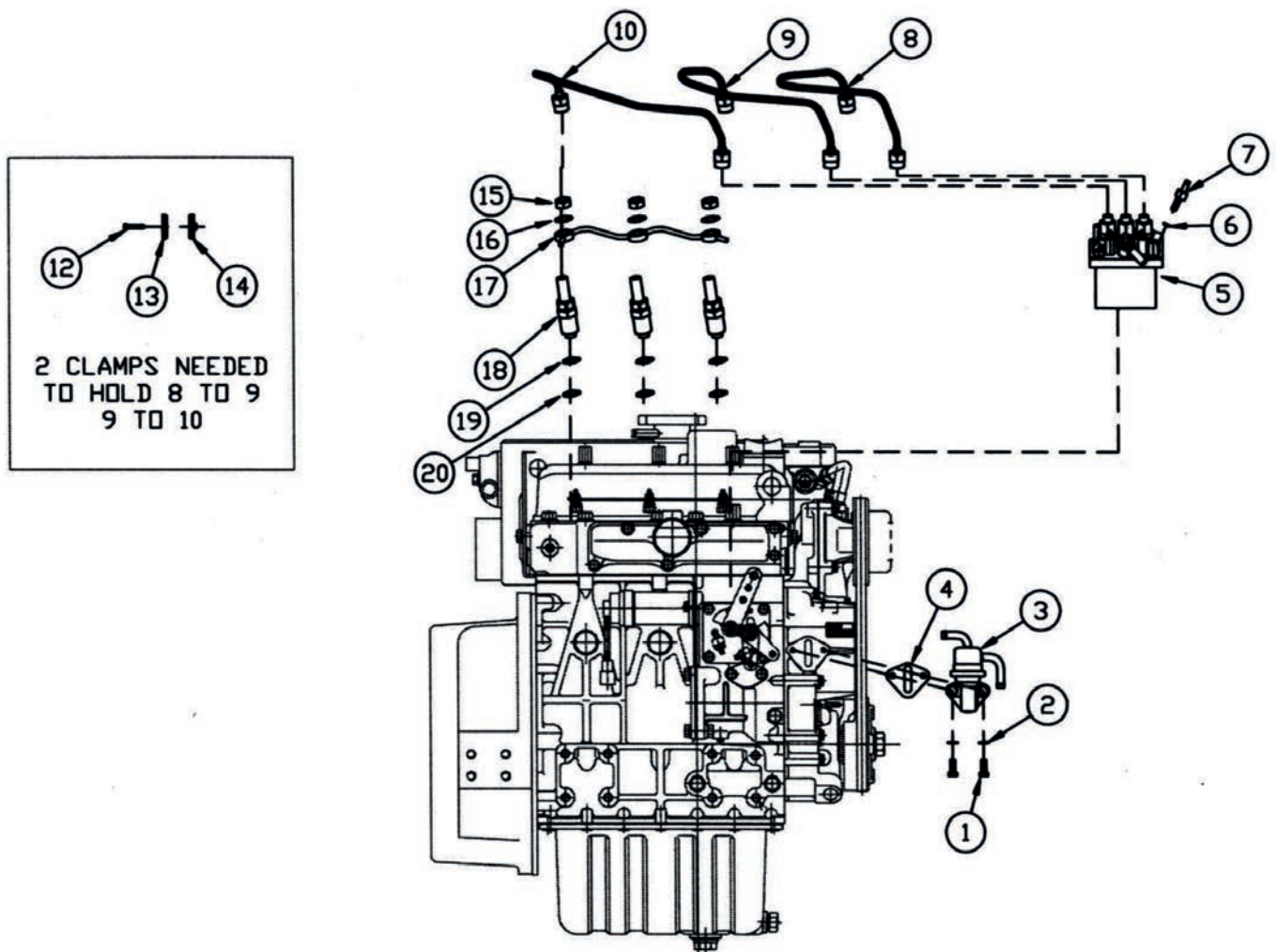
Ref.	Part No.	Description	Qty	Comments
1	212-99241/01	Saddle clamp fitting kit	1	
2	202-05129	TMC60 vertical morse control bracket	1	
3	201-01204	M8 7mm Spacer	2	
4	217-02482	M8 x 25mm Countersunk set screw	2	





## Beta 10, 14, 16, 20 & 25 (non turbo) Fuel System Components

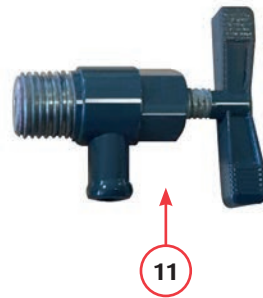
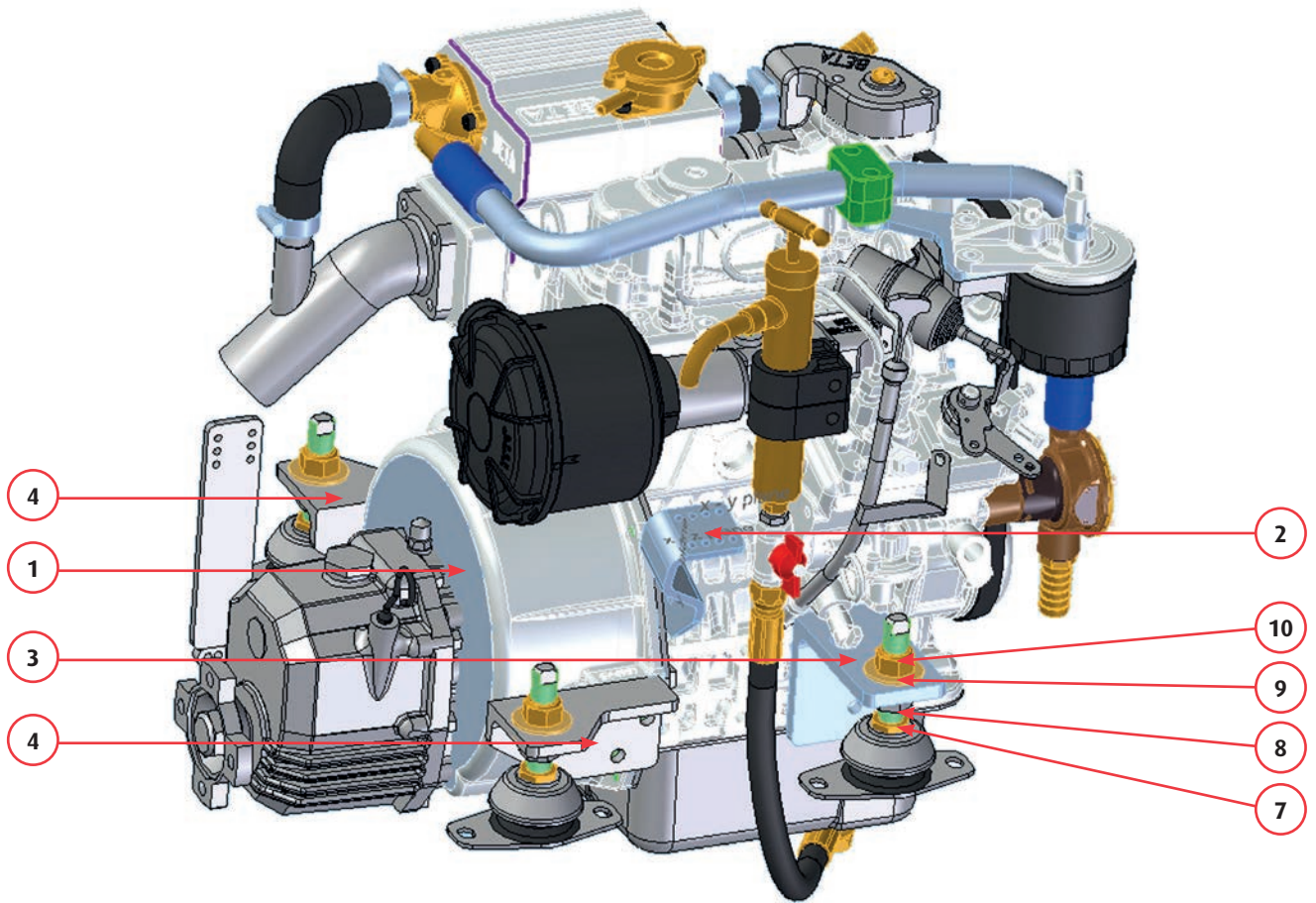
Ref.	Part No.	Description	Qty	Comments
1	211-60210	Fuel filter	1	
2	600-80290	Fuel filter assembly	1	Includes ref no 1
3	600-00594	Fuel filter bleed bolt	1	
	600-00592	Fuel filter bleed bolt 'O' ring	1	
4	208-06317	Fuel filter bracket	1	
	217-05331	M6 x 25 mm socket set bolt	2	Fuel filter bracket to engine
5	217-99300	M8 x 30mm set bolt	2	
	217-99292	M8 Spring washer	2	
	217-99293	M8 Flat washer	2	
	201-01204	M8 7mm spacer	2	
6	212-02826	Stainless steel hose clip type 15	1	
	212-02423	8mm bore fuel hose 0.5m	0.27m	ISO7480 Class A1
	212-02826	Stainless steel hose clip type 15	1	
7	212-02826	Stainless steel hose clip type 15	1	
	212-02423	8mm bore fuel hose 0.5m	0.27m	ISO7480 Class A1
	212-02826	Stainless steel hose clip type 15	1	
8	212-04627	Stainless steel hose clip type 11	1	
	218-02827	5mm bore fuel hose	0.25m	ISO7480 Class A1
	212-04627	Stainless steel hose clip type 11	1	
9	212-04627	Stainless steel hose clip type 11	1	
	218-02827	5mm bore fuel hose	0.25m	ISO7480 Class A1
	212-04627	Stainless steel hose clip type 11	1	
10	212-03870	Fuel hose tail adaptor 5mm IN & 8mm OUT	1	
11	600-65470	Fuel lift pump	1	Beta 10, 14 & 20
	600-10432			Beta 16 & 25
12	600-00065	Fuel lift pump gasket	1	
N/A	AK/MINI/CFP/KS01	Front mount fuel filter kit	1	For converting side mounted fuel filter engines



## Beta 10, 14, 16, 20 & 25 (non turbo) Fuel System Components

Ref.	Part No.	Description	Qty	Comments
1	217-99280	M6 x 16mm Set bolt	2	
2	217-99275	M6 Spring washer	2	
3	600-65470	Fuel lift pump	1	Beta 10, 14 & 20
	600-10432			Beta 16 & 25
4	600-00065	Fuel lift pump gasket	1	
5	600-01832	Fuel injection pump	1	Beta 10, 14 & 16
	600-00635			Beta 20 & 25
6	600-00625	M6 Copper washer	1	
7	600-00536	Fuel return screw	1	
8	600-23954	Injector pipe A (1)	1	Beta 10, 14 & 20
	600-08483			Beta 16 & 25
9	600-23955	Injector pipe B (2)	1	Beta 10, 14 & 20
	600-08484			Beta 16 & 25
10	600-23956	Injector pipe C (3)	1	Beta 20
	600-08485			Beta 25
11	N/A	N/A	N/A	
12	600-91803	Fuel clamp screw - includes washer	1	Beta 10, 14 & 16
			2	Beta 20 & 25
13	600-91802	Fuel clamp unthreaded	1	Beta 10, 14 & 16
			2	Beta 20 & 25
14	600-91801	Fuel clamp threaded	1	Beta 10, 14 & 16
			2	Beta 20 & 25
15	600-00622	Fuel leak off injector nut	2	Beta 10, 14 & 16
			3	Beta 20 & 25
16	600-00537	Fuel leak off rail gasket	2	Beta 10, 14 & 16
			3	Beta 20 & 25
17	600-00032	Fuel leak off rail	1	Beta 10 & 14
	600-09959			Beta 16
	600-00031			Beta 20
	600-09273			Beta 25
18	600-01838	Fuel injector	2	Beta 10, 14 & 16
			3	Beta 20 & 25
19	600-00242	Fuel injector to cylinder head gasket	2	Beta 10, 14 & 16
			3	Beta 20 & 25
20	600-01042	Fuel injector heat seal	2	Beta 10, 14 & 16
			3	Beta 20 & 25

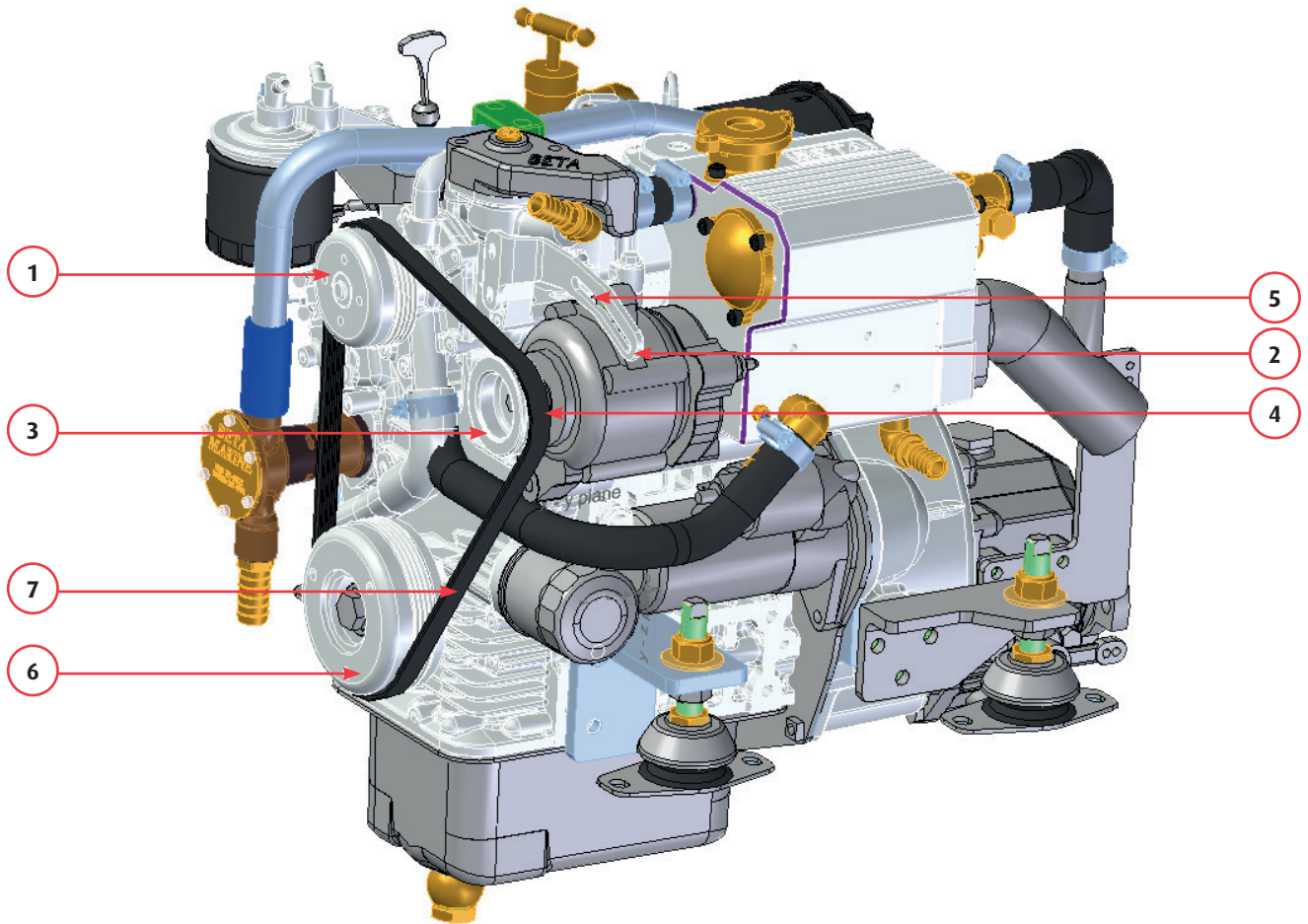






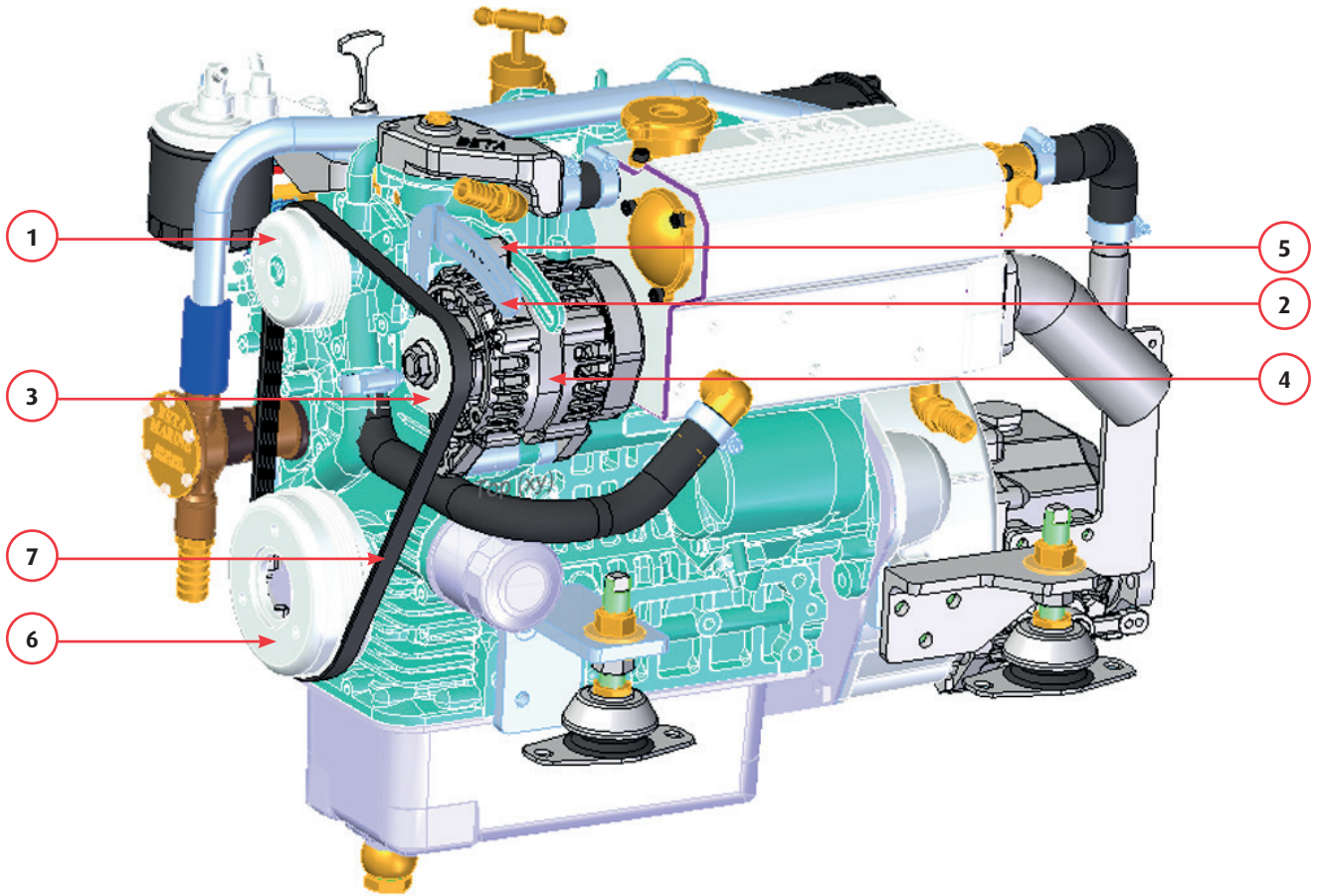
## Beta 10, 14, 16, 20 & 25 (non turbo) Speed Control Bracketry & Feet

Ref.	Part No.	Description	Qty	Comments
1	208-59190	Flywheel housing	1	
2	202-97640	Speed control bracket	1	Beta 10, 14 & 16
	202-89360			Beta 20 & 25
3	202-97671L	Standard front foot	1	Starboard
	202-97671P			Port - Not shown
4	202-59251	Standard rear foot	1	Starboard
	202-59261			Port
5	213-93440	Flexible mount 100mm centres	4	Trelleborg BRB70 - standard
6	213-80170/01			Metalastic type 55 - optional & USA engines
7	217-04671/01	M16 Fine plain nut	1	Part of ref no 5
8	217-01411	M16 Spring washer	1	
9	217-00955	M16 Flat washer	1	
10	217-04671	M16 Fine nyloc nut	1	
11	600-00580	Water drain tap	1	

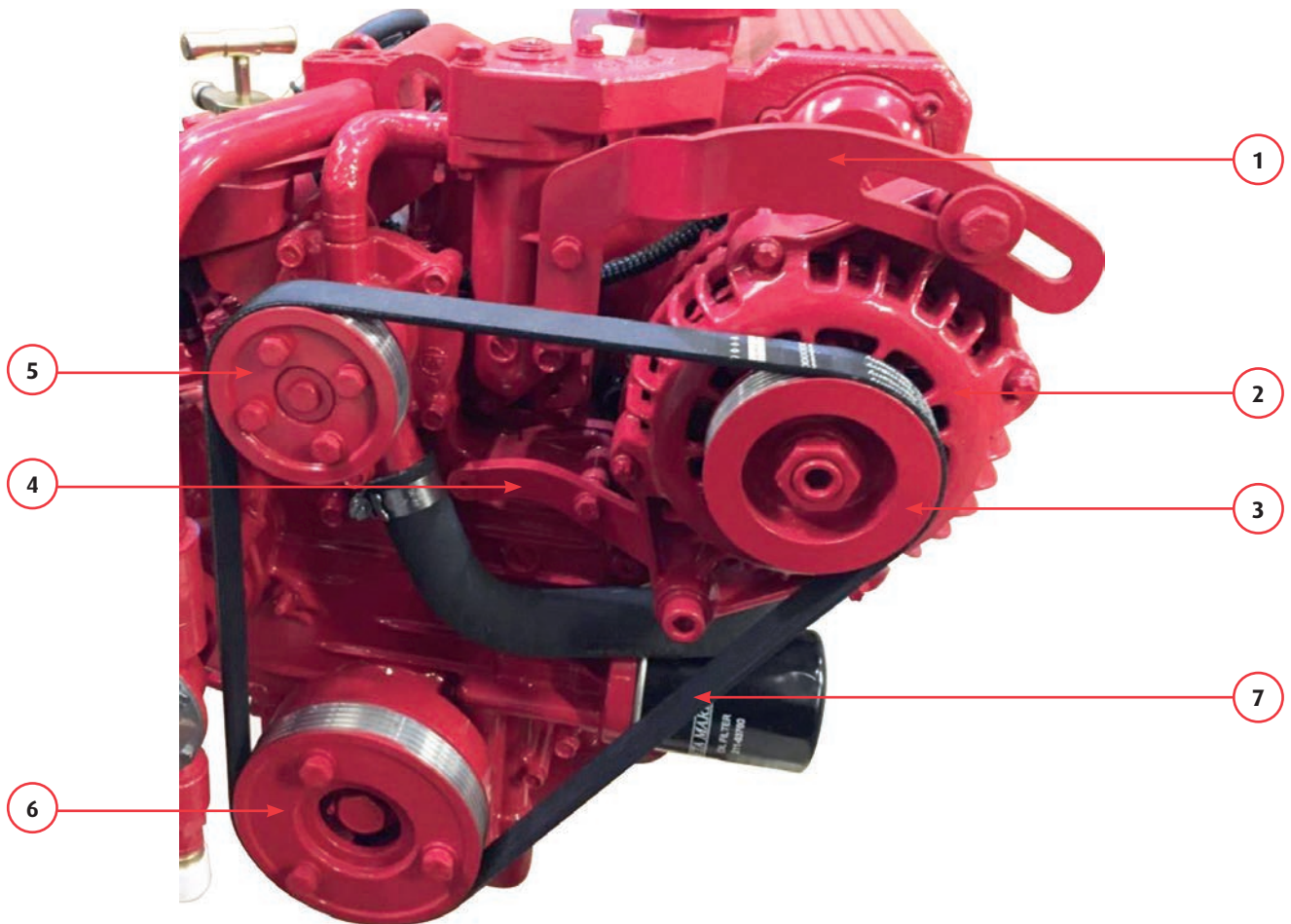


Ref.	Part No.	Description	Qty	Comments
1	201-08563	4PK Water pump drive pulley	1	
2	202-09022	Alternator adjusting arm	1	
3	201-06149	4PK Alternator drive pulley	1	
4	600-80010 600-02781	40 Amp alternator	1	2 Pin Beta 10, 14 & 20 3 Pin Beta 16 & 25
5	201-09023 201-09032	Alternator spacer	1	Beta 10, 14 & 20 Beta 16 & 25
6	201-08564 201-08930	4PK Crankshaft over pulley	1	Beta 10, 14, 16, 20 & Beta 25 - From January 2011 Beta 25 - To January 2011
7	212-05074	4PK PolyVee belt	1	
N/A	N/A	For 4PK PolyVee drive upgrade kits	1	Please refer to page 77
		For 75 Amp alternator & 4PK PolyVee drive upgrade kits		Please refer to page 78

Beta 10, 14, 16, 20 & 25 (non turbo) with 75 Amp Alternator - From January 2011



Ref.	Part No.	Description	Qty	Comments
1	201-08563	4PK Water pump drive pulley	1	
2	202-08565	Alternator adjusting arm	1	
3	201-08562	4PK Alternator drive pulley	1	
4	200-07338	75 Amp alternator	1	
5	201-61800	Alternator spacer	1	Forward spacer Beta 10, 14 & 20
	201-08571A			Forward spacer Beta 16 & 25
	201-08571B			Rear spacer Beta 16 & 25
6	201-08564	4PK Crankshaft over pulley	1	Beta 10, 14, 16, 20 & Beta 25 - From January 2011
	201-08930			Beta 25 - To January 2011
7	212-05074	4PK PolyVee belt	1	
N/A	N/A	For 4PK PolyVee drive upgrade kits	1	Please refer to page 77
		For 75 Amp alternator & 4PK PolyVee drive upgrade kits		Please refer to page 78

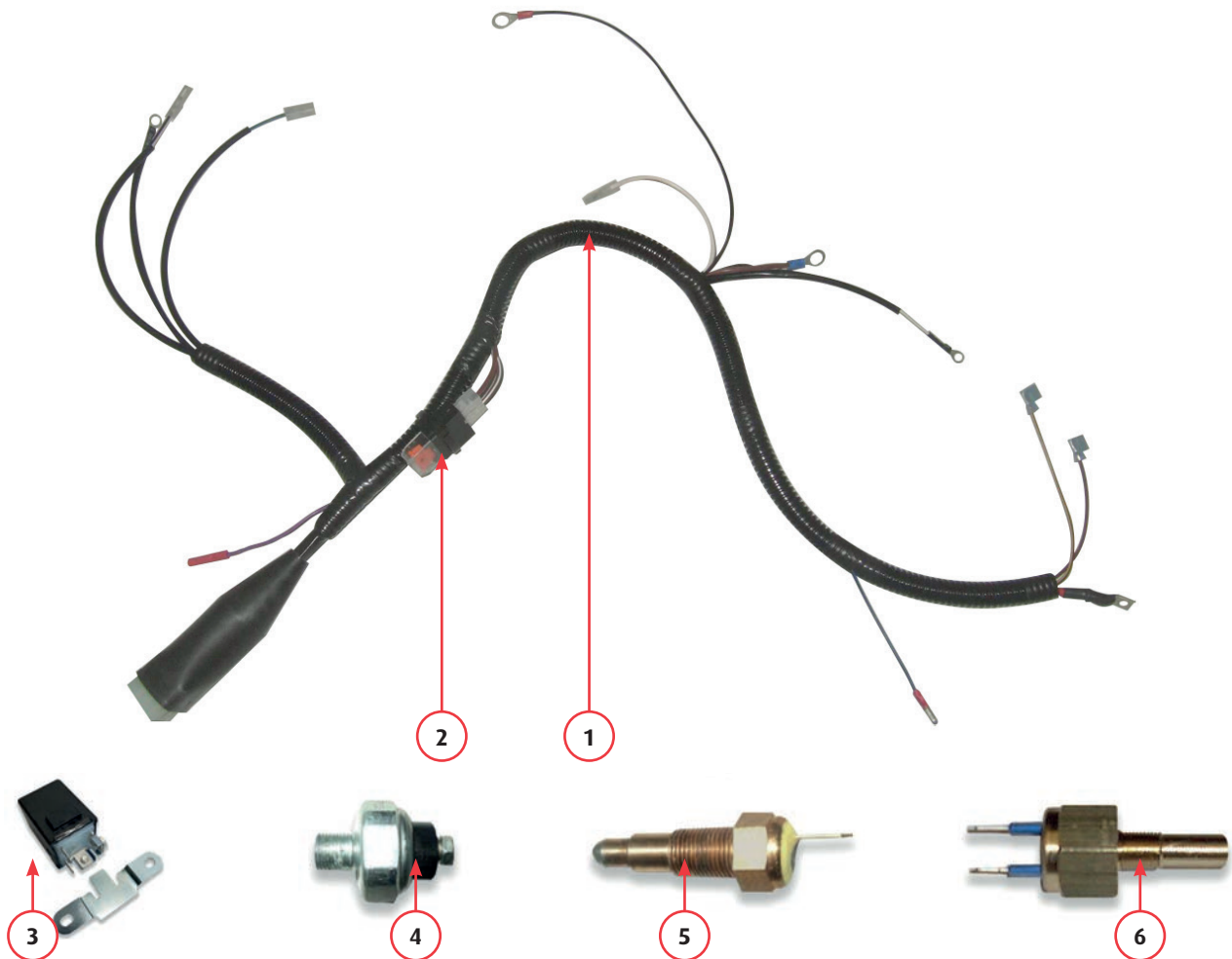


Ref.	Part No.	Description	Qty	Comments
1	202-10078	Alternator adjusting arm	1	
2	200-05231	100/120 Amp alternator	1	
3	201-10155	6PK Alternator drive pulley	1	
4	202-10077	Alternator mounting bracket	1	
5	201-10076	6PK Water pump drive pulley	1	
6	201-10075	6PK Crankshaft over pulley	1	
7	214-04124	6PK PolyVee belt	1	

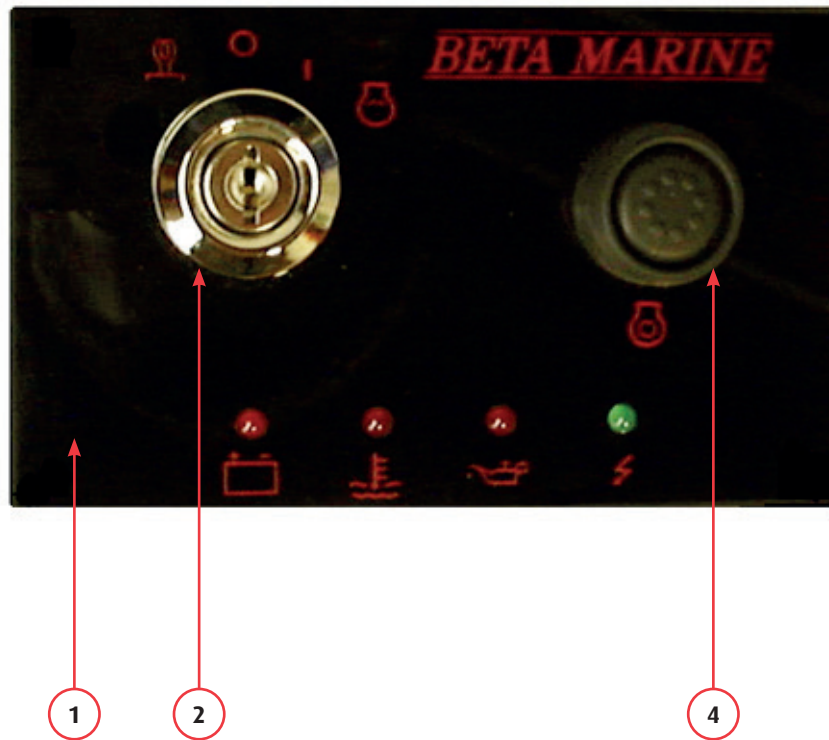
**Note:** Parts list is for existing factory engines built with a 100/120 Amp alternator - A 100/120 Amp alternator field upgrade kit is not available.



## Wiring Harness & Switches



Ref.	Part No.	Description	Qty	Comments
1	200-60973/05	Beta 10, 14, 16, 20 & 25 engine harness	1	Includes fuse & relay - From January 2010
2	200-00959	40 Amp fuse blade	1	
3	200-57640	Relay 12 Volt 70A (33Ra)	1	
4	600-62670	Oil pressure switch	1	Not C Deluxe & CW panel
5	600-62820	Water temperature switch	1	From March 2007, Not C Deluxe & CW panel
6	200-01133	Water temperature sender switch 95°C 1/8" BSP	1	To March 2007, Not C Deluxe & CW panel
7	212-01480	3/8" BSPT Male x 1/8" BSP Female galvanised adaptor for 200-01133	1	Required if temperature sender is being fitted into 3/8" BSP thread
8	200-04588/01	1 metre extension harness	1	Not shown
9	200-04588/02	2 metre extension harness	1	Not shown
10	200-04588/03	3 metre extension harness	1	Not shown
11	200-04588/04	4 metre extension harness	1	Not shown
12	200-04588/05	5 metre extension harness	1	Not shown
13	200-04588/06	6 metre extension harness	1	Not shown
14	200-04588/08	8 metre extension harness	1	Not shown
15	200-04588/10	10 metre extension harness	1	Not shown
16	200-04588/15	15 metre extension harness	1	Not shown
17	AK/P/7JM/000	Relay kit (for extension harnesses)	1	Not shown
18	200-10792/B	Flybridge Y harness	1	Not shown, additionally requires ref no 17



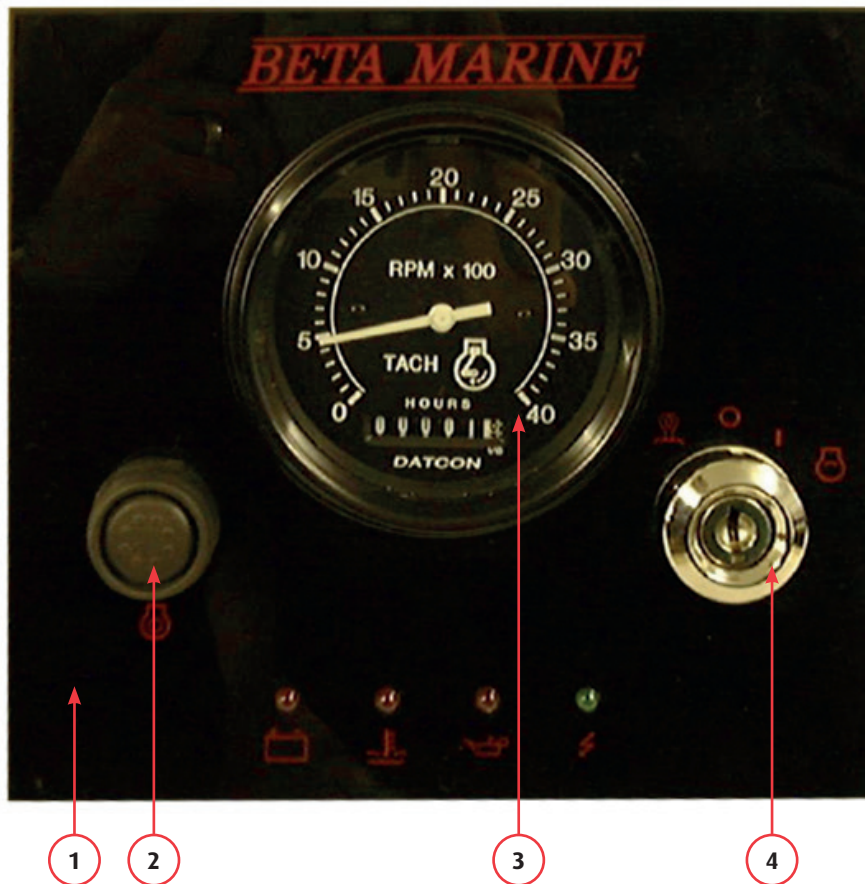
Ref.	Part No.	Description	Qty	Comments
1	N/A	Simple panel (complete with LED pack)	1	No Longer Available - use AK/2AS/KS01
2	600-00057	Kubota key switch - suits small key	1	To August 2008
3	600-00058	Kubota keys (small - pair)	1	To August 2008
4	200-00072	Panel stop button	1	
5	200-01295	LED Pack assembly & buzzer	1	SEASPEC Not shown
	200-01296	LED Pack assembly & buzzer		DOMESTIC Not shown
6	200-01288	A Panel LED type blank - suits 3 red & 1 green LED indicators	1	SEASPEC Facia only – check for availability
	200-01291	A Panel LED type blank - suits 4 red & 1 green LED indicators		DOMESTIC Facia only – check for availability
7	200-00639	11 Way plug to suit male type spade	1	Not shown, refer to page 71
8	200-00048	Large shroud for 11 way plug	1	Not shown, refer to page 71
9	200-00047	Male spade for 11 way plug	11	Not shown, refer to page 71



## A Panel – LAMP Type from May 2005



Ref.	Part No.	Description	Qty	Comments
1	AK/2AS/KS01	A panel with 3m loom	1	Complete
2	600-00057	Kubota key switch - suits small key	1	To August 2008
	600-00057/01	Kubota key switch - suits large key		From August 2008
3	600-00058	Kubota keys (small - pair)	1	To August 2008
	600-00058/01	Kubota keys (large - pair)		From August 2008
4	200-00072	Panel stop button	1	
5	200-04657	Red 12V warning lamp & retaining clip	3	
6	200-04656	Green 12V power on lamp & retaining clip	1	
7	N/A	A Panel LAMP type blank	1	Facia only – check for availability
8	200-00639	11 Way plug to suit male type spade	1	Not shown, refer to page 71
9	200-00048	Large shroud for 11 way plug	1	Not shown, refer to page 71
10	200-00047	Male spade for 11 way plug	11	Not shown, refer to page 71
11	200-04655	Alarm board with buzzer	1	Not shown, refer to page 71

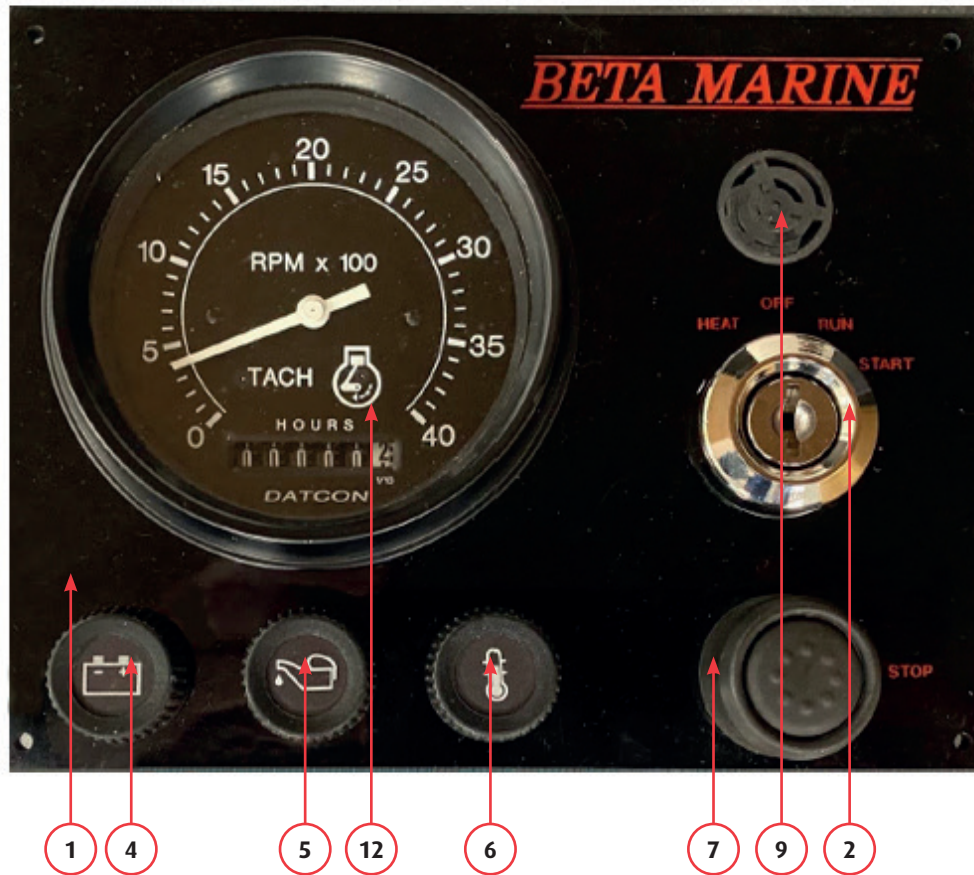


Ref.	Part No.	Description	Qty	Comments
1	200-00853	AB panel (excl. tachometer - ref no 3)	1	No Longer Available - use AK/2ABD/KSNT01
2	200-00072	Panel stop button	1	
3	200-02373	0-4000 rpm tachometer & hourmeter	1	VDO From March 2002 to May 2005 - No Longer Available
	200-00054	0-4000 rpm tachometer & hourmeter		DATCON To March 2002 - No Longer Available
4	600-00057	Kubota key switch - suits small key	1	To August 2008
5	600-00058	Kubota keys (small - pair)	1	Not shown, refer to page 71
6	200-01295	LED Pack assembly & buzzer	1	SEASPEC Not shown - check for availability
	200-01296	LED Pack assembly & buzzer		DOMESTIC Not shown - check for availability
7	200-01289	AB Panel blank	1	SEASPEC Facia only - check for availability
	200-01292	AB Panel blank		DOMESTIC Facia only - check for availability
8	200-00639	11 Way plug to suit male type spade	1	Not shown, refer to page 71
9	200-00048	Large shroud for 11 way plug	1	Not shown, refer to page 71
10	200-00047	Male spade for 11 way plug	11	Not shown, refer to page 71

## AB Panel – LAMP Type from May 2005



Ref.	Part No.	Description	Qty	Comments
1	AK/2ABD/KSO1	AB panel with 3m loom	1	Complete
	AK/2ABD/KSNT01	AB panel with 3m loom		No tachometer
2	200-00072	Panel stop button	1	
3	200-21242	0-5000 rpm tachometer with digital hour counter	1	OCEANLINK From November 2021
	200-02373	0-4000 rpm tachometer with digital hour counter		VIEWLINE From January 2010 to November 2021
	200-02373	0-4000 rpm tachometer with hourmeter		OCEANLINE From 2002 to January 2010 - No Longer Available
4	600-00057	Kubota key switch - suits small key	1	To August 2008
	600-00057/01	Kubota key switch - suits large key		From August 2008
5	600-00058	Kubota keys (small - pair)	1	To August 2008
	600-00058/01	Kubota keys (large - pair)		From August 2008
6	200-04657	Red 12V warning lamp & retaining clip	4	
7	200-04656	Green 12V power on lamp & retaining clip	1	
8	N/A	AB Panel blank	1	Facia only – check for availability
9	200-00639	11 Way plug to suit male type spade	1	Not shown, refer to page 71
10	200-00048	Large shroud for 11 way plug	1	Not shown, refer to page 71
11	200-00047	Male spade for 11 way plug	11	Not shown, refer to page 71
12	200-04655	Alarm board with buzzer	1	Not shown, refer to page 71
13	200-87020	12V 28Ra 40Amp relay	1	Not shown, refer to page 71



Ref.	Part No.	Description	Qty	Comments
1	200-89421	ABV panel (excl. tachometer - ref no 12)	1	No Longer Available - use AK/2ABV/KSNT01
2	600-00057	Kubota key switch - suits small key	1	
3	600-00058	Kubota keys (small - pair)	1	Not shown, refer to page 71
4	200-00059	Warning lamp battery	1	No Longer Available
5	200-00060	Warning lamp oil	1	No Longer Available
6	200-00061	Warning lamp water	1	No Longer Available
7	200-00072	Panel stop button	1	
8	200-97490	12V bulb	3	Not shown
9	200-99433	12V DC buzzer	1	
10	200-98980	Panel diode pack	1	Not shown, refer to page 71
11	200-00042	ABV Panel blank	1	Facia only – check for availability
12	200-02373	0-4000 rpm tachometer & hourmeter	1	OCEANLINE From 2002 to January 2010 - No Longer Available
	200-00054	0-4000 rpm tachometer & hourmeter		DATCON To March 2002 - No Longer Available
13	200-00639	11 Way plug to suit male type spade	1	Not shown, refer to page 71
14	200-00048	Large shroud for 11 way plug	1	Not shown, refer to page 71
15	200-00047	Male spade for 11 way plug	11	Not shown, refer to page 71



## ABV Panel – LAMP Type from May 2005



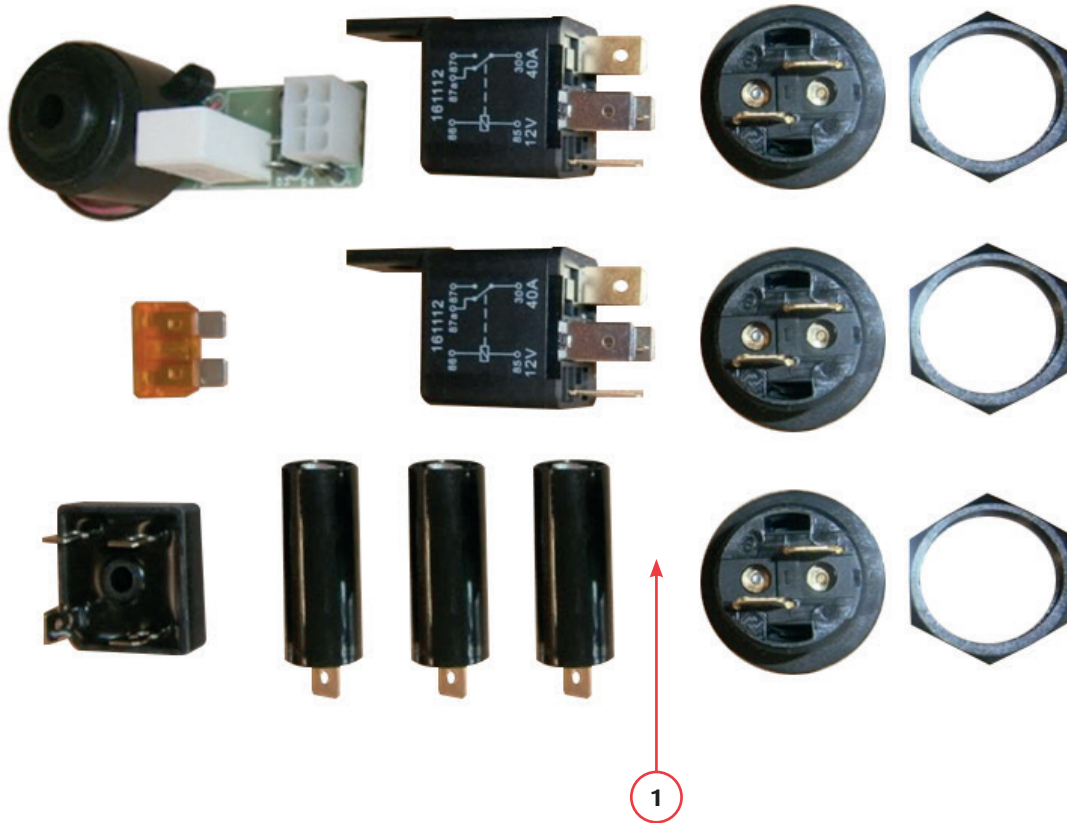
Ref.	Part No.	Description	Qty	Comments
1	AK/2ABV/KSOL501	ABV panel with 3m loom	1	Complete
	AK/2ABV/KSNT01	ABV panel with 3m loom		No tachometer
2	600-00057	Kubota key switch - suits small key	1	To July 2008
	600-00057/01	Kubota key switch - suits large key		From July 2008
3	600-00058	Kubota keys (small - pair)	1	To July 2008
	600-00058/01	Kubota keys (large - pair)		From July 2008
4	200-04657	Red 12V warning lamp & retaining clip	3	
5	200-04656	Green 12V power on lamp & retaining clip	1	
6	200-00072	Panel stop button	1	
7	200-21242	0-5000 rpm tachometer with digital hour counter	1	OCEANLINK From June 2021
	200-02373	0-4000 rpm tachometer with digital hour counter		VIEWLINE From January 2010 to June 2021
	200-02373	0-4000 rpm tachometer & hourmeter		OCEANLINE From 2002 to January 2010 - No Longer Available
8	N/A	ABV Panel blank	1	Facia only – check for availability
9	200-00639	11 Way plug to suit male type spade	1	Not shown, refer to page 71
10	200-00048	Large shroud for 11 way plug	1	Not shown, refer to page 71
11	200-00047	Male spade for 11 way plug	11	Not shown, refer to page 71
12	200-04655	Alarm board with buzzer	1	Not shown, refer to page 71



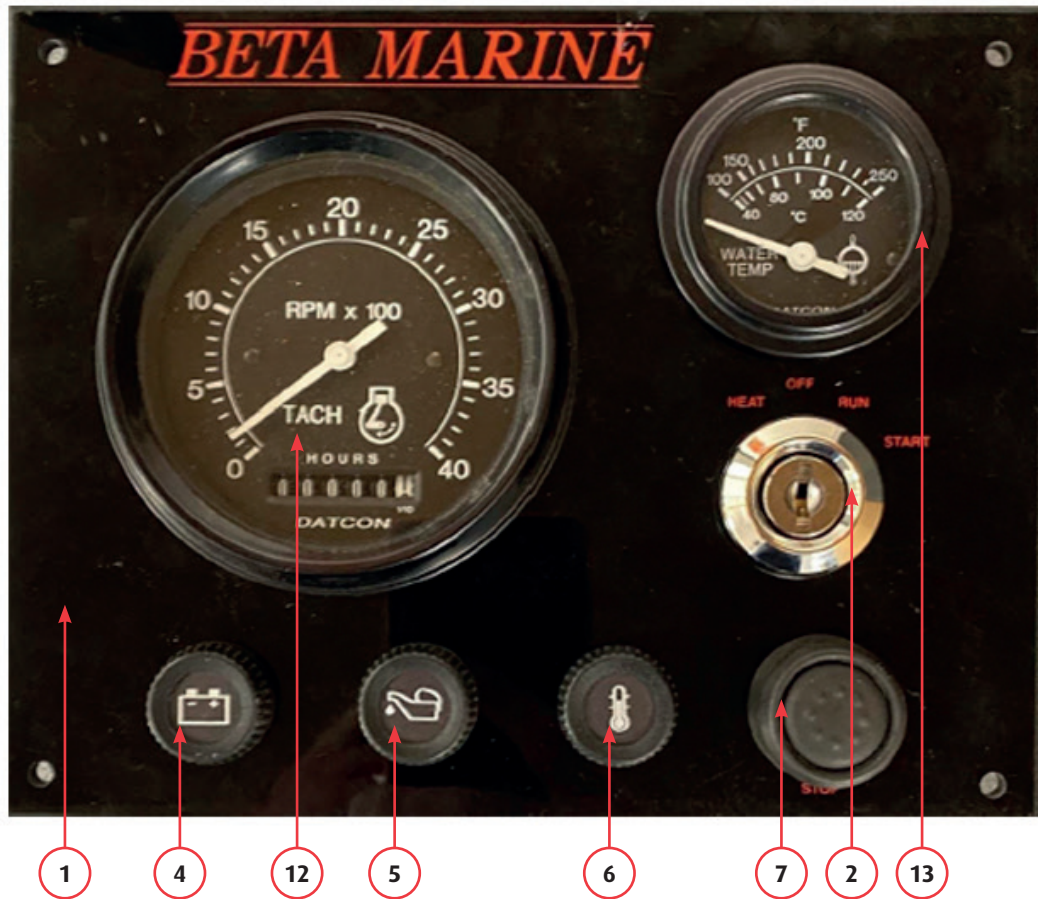
Ref.	Part No.	Description	Qty	Comments
1	AK/2ABVW/KSOL51	ABVW panel with 3m loom	1	Complete
	AK/2ABVW/KSNT01	ABVW panel with 3m loom		No tachometer
2	200-00072	Panel stop/start/heat button	3	
3	200-04657	Red 12V warning lamp & retaining clip	3	
4	200-04656	Green 12V power on lamp & retaining clip	1	
5	200-21242	0-5000 rpm tachometer with digital hour counter	1	OCEANLINK From November 2021
	200-02373	0-4000 rpm tachometer with digital hour counter		VIEWLINE From January 2010 to November 2021
	200-02373	0-4000 rpm tachometer & hourmeter		OCEANLINE From 2002 to January 2010 - No Longer Available
6	N/A	ABVW Panel blank	1	Facia only – check for availability
7	200-00639	11 Way plug to suit male type spade	1	Not shown, refer to page 71
8	200-00048	Large shroud for 11 way plug	1	Not shown, refer to page 71
9	200-00047	Male spade for 11 way plug	11	Not shown, refer to page 71
10	200-04655	Alarm board with buzzer	1	Not shown, refer to page 71
11	200-87020	12V 28Ra 40Amp relay	2	Not shown, refer to page 71
12	200-03466	Pektron diode	1	Not shown, refer to page 71
13	200-02618	Diode bridge	1	Not shown, refer to page 71



## Service Kit to Suit ABVW Push Button Control Panels



Ref.	Part No.	Description	Qty	Comments
1	AK/2ABVW/RKS01	ABVW panel service kit	1	



Ref.	Part No.	Description	Qty	Comments
1	200-05408	B Panel with temperature gauge (excl. tachometer - ref no 12)	1	From February 2003 - No Longer Available use AK/2BT/KSNT0
	200-60952	B Panel with voltmeter (excl. tachometer - ref no 12)		To February 2003
2	600-00057	Kubota key switch - suits small key	1	To July 2008
3	600-00058	Kubota keys (small - pair)	1	To July 2008
4	200-00059	Warning lamp battery	1	No Longer Available
5	200-00060	Warning lamp oil	1	No Longer Available
6	200-00061	Warning lamp water	1	No Longer Available
7	200-00072	Panel stop button	1	
8	200-97490	12V bulb	3	Not shown
9	200-99433	12V DC buzzer	1	Not shown, refer to page 71
10	200-98980	Panel diode pack	1	Not shown, refer to page 71
11	200-00043	B Panel blank	1	Facia only – check for availability
12	200-02373	0-4000 rpm tachometer & hourmeter	1	OCEANLINE From 2002 to January 2010 - No Longer Available
	200-00054	0-4000 rpm tachometer & hourmeter		DATCON To March 2002 - No Longer Available
13	200-91400	Water temperature gauge	1	From February 2003
	200-91390	Voltmeter gauge		To February 2003
14	200-00639	11 Way plug to suit male type spade	1	Not shown, refer to page 71
15	200-00048	Large shroud for 11 way plug	1	Not shown, refer to page 71
16	200-00047	Male spade for 11 way plug	11	Not shown, refer to page 71

## B Panel – LAMP Type from May 2005



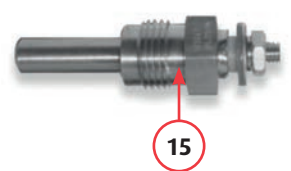
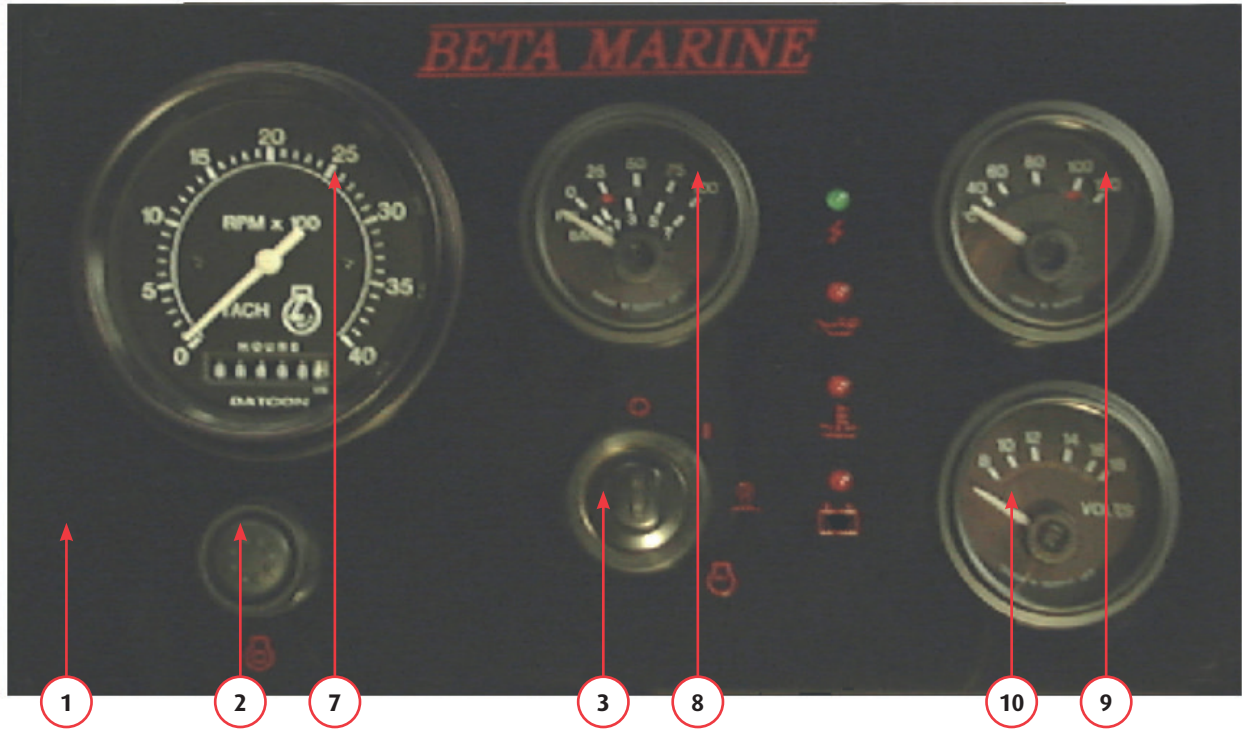
Ref.	Part No.	Description	Qty	Comments
1	AK/2BT/KSO51	B Panel with temperature gauge & 3m loom	1	Complete - From May 2005
	AK/2BT/KSNT01	B Panel with temperature gauge & 3m loom		No tachometer - From June 2021
2	600-00057	Kubota key switch - suits small key	1	To July 2008
	600-00057/01	Kubota key switch - suits large key		From July 2008
3	600-00058	Kubota keys (small - pair)	1	To July 2008
	600-00058/01	Kubota keys (large - pair)		From July 2008
4	200-04657	Red 12V warning lamp & retaining clip	3	
5	200-04656	Green 12V power on lamp & retaining clip	1	
6	200-00072	Panel stop button	1	
7	200-21242	0-5000 rpm tachometer with digital hour counter	1	OCEANLINK From July 2021
	200-02373	0-4000 rpm tachometer with digital hour counter		VIEWLINE From January 2010 to July 2021
	200-02373	0-4000 rpm tachometer & hourmeter		OCEANLINE From 2002 to January 2010 - No Longer Available
8	200-96200	Water temperature gauge	1	
9	N/A	B Panel blank	1	Facia only – check for availability
10	200-04655	Alarm board with buzzer	1	Not shown, refer to page 71
11	200-00639	11 Way plug to suit male type spade	1	Not shown, refer to page 71
12	200-00048	Large shroud for 11 way plug	1	Not shown, refer to page 71
13	200-00047	Male spade for 11 way plug	11	Not shown, refer to page 71



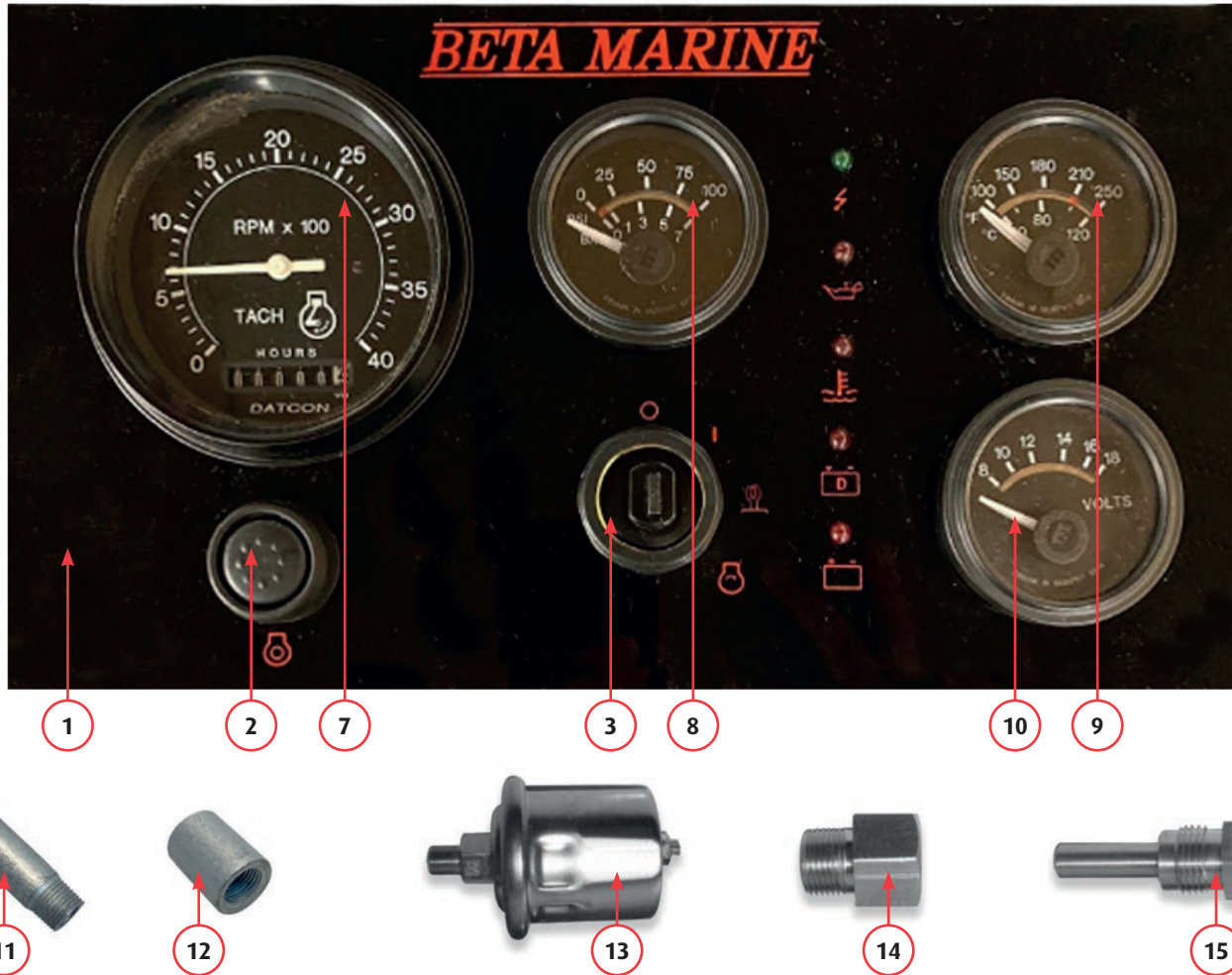


Ref.	Part No.	Description	Qty	Comments
1	AK/2BTW/KSO01	BW Panel with temperature gauge & 3m loom	1	Complete
	AK/2BTW/NT/KS31	BW Panel with temperature gauge & 3m loom		No tachometer
2	200-00072	Panel stop/start/heat button	3	
3	200-04657	Red 12V warning lamp & retaining clip	3	
4	200-04656	Green 12V power on lamp & retaining clip	1	
5	200-21242	0-5000 rpm tachometer with digital hour counter	1	OCEANLINK From December 2021
	200-02373	0-4000 rpm tachometer with digital hour counter		VIEWLINE From January 2010 to December 2021
	200-02373	0-4000 rpm tachometer & hourmeter		OCEANLINE From 2002 to January 2010 - No Longer Available
6	200-96200	Water temperature gauge	1	
7	200-00639	11 Way plug to suit male type spade	1	Not shown, refer to page 71
8	200-00048	Large shroud for 11 way plug	1	Not shown, refer to page 71
9	200-00047	Male spade for 11 way plug	11	Not shown, refer to page 71
10	200-04655	Alarm board with buzzer	1	Not shown, refer to page 71
11	200-87020	12V 28Ra 40Amp relay	2	Not shown, refer to page 71
12	200-03466	Pektron diode	1	Not shown, refer to page 71
13	200-02618	Diode bridge	1	Not shown, refer to page 71
14	AK/2ABVW/RKS01	ABVW panel service kit	1	Not shown, refer to page 59

## Deluxe C Panel – SeaSpec 4 LAMP Type to May 2005



Ref.	Part No.	Description	Qty	Comments
1	200-00854	C Deluxe Panel - SeaSpec 4 Lamp (Excl. gauges & loom see ref no 7, 8, 9, 10 & 16)	1	No Longer Available - use AK/2CD/KSNT01 (No tachometer)
2	200-00072	Panel stop button	1	
3	200-00073	Murphy key switch	1	
4	200-98965	Murphy keys (pair)	1	Not shown, refer to page 71
5	200-01295	LED Pack assembly & buzzer - SeaSpec 4 Lamp	1	Not shown - Check for availability
6	200-01290	C Deluxe panel blank (SeaSpec 4 Lamp)	1	Facia only - Check for availability
7	200-02373	0-4000 rpm tachometer & hourmeter	1	OCEANLINE From March 2002 to May 2005 - No Longer Available
	200-00054	0-4000 rpm tachometer & hourmeter		DATCON To March 2002 - No Longer Available
8	200-96190	Oil pressure gauge	1	
9	200-96200	Water temperature gauge	1	
10	200-96210	Voltmeter gauge	1	
11	212-99397	1/8" BSP Galvanised barrel	1	
12	212-99396	1/8" BSP Galvanised socket	1	
13	200-94350	Oil pressure sender	1	
14	200-91980	Water temperature sender adaptor	1	Alternatively you can use 1/8" sender
15	200-94360	Water temperature sender	1	200-08248 & adaptor 212-01480
16	200-93830	Murphy deluxe 3m connecting loom	1	Not shown
17	200-00046	11 Way socket to suit female type spade	1	Not shown, refer to page 71
18	200-00181	Female spade for 11 way plug	11	Not shown, refer to page 71



Ref.	Part No.	Description	Qty	Comments
1	200-00851	C Deluxe Panel – SeaSpec 5 Lamp (Excl. gauges & loom - ref no 7, 8, 9, 10 & 16)	1	No Longer Available - use AK/2CD/KSNT01 (No tachometer)
2	200-00072	Panel stop button	1	
3	200-00073	Murphy key switch	1	
4	200-98965	Murphy keys (pair)	1	Not shown, refer to page 71
5	200-01296	LED Pack assembly & buzzer (SeaSpec 5 Lamp)	1	Not shown - check for availability
6	200-01293	C Deluxe panel blank (SeaSpec 5 Lamp)	1	Facia only - check for availability
7	200-02373	0-4000 rpm tachometer & hourmeter	1	OCEANLINE From March 2002 to May 2005 - No Longer Available
	200-00054	0-4000 rpm tachometer & hourmeter		DATCON To March 2002 - No Longer Available
8	200-96190	Oil pressure gauge	1	
9	200-96200	Water temperature gauge	1	
10	200-96210	Voltmeter gauge	1	
11	212-99397	1/8" BSP Galvanised barrel	1	
12	212-99396	1/8" BSP Galvanised socket	1	
13	200-94350	Oil pressure sender	1	
14	200-91980	Water temperature sender adaptor	1	Alternatively you can use 1/8" sender
15	200-94360	Water temperature sender	1	200-08248 & adaptor 212-01480
16	200-93830	Murphy deluxe 3m connecting loom	1	Not shown
17	200-00046	11 Way socket to suit female type spade	1	Not shown, refer to page 71
18	200-00181	Female spade for 11 way plug	11	Not shown, refer to page 71

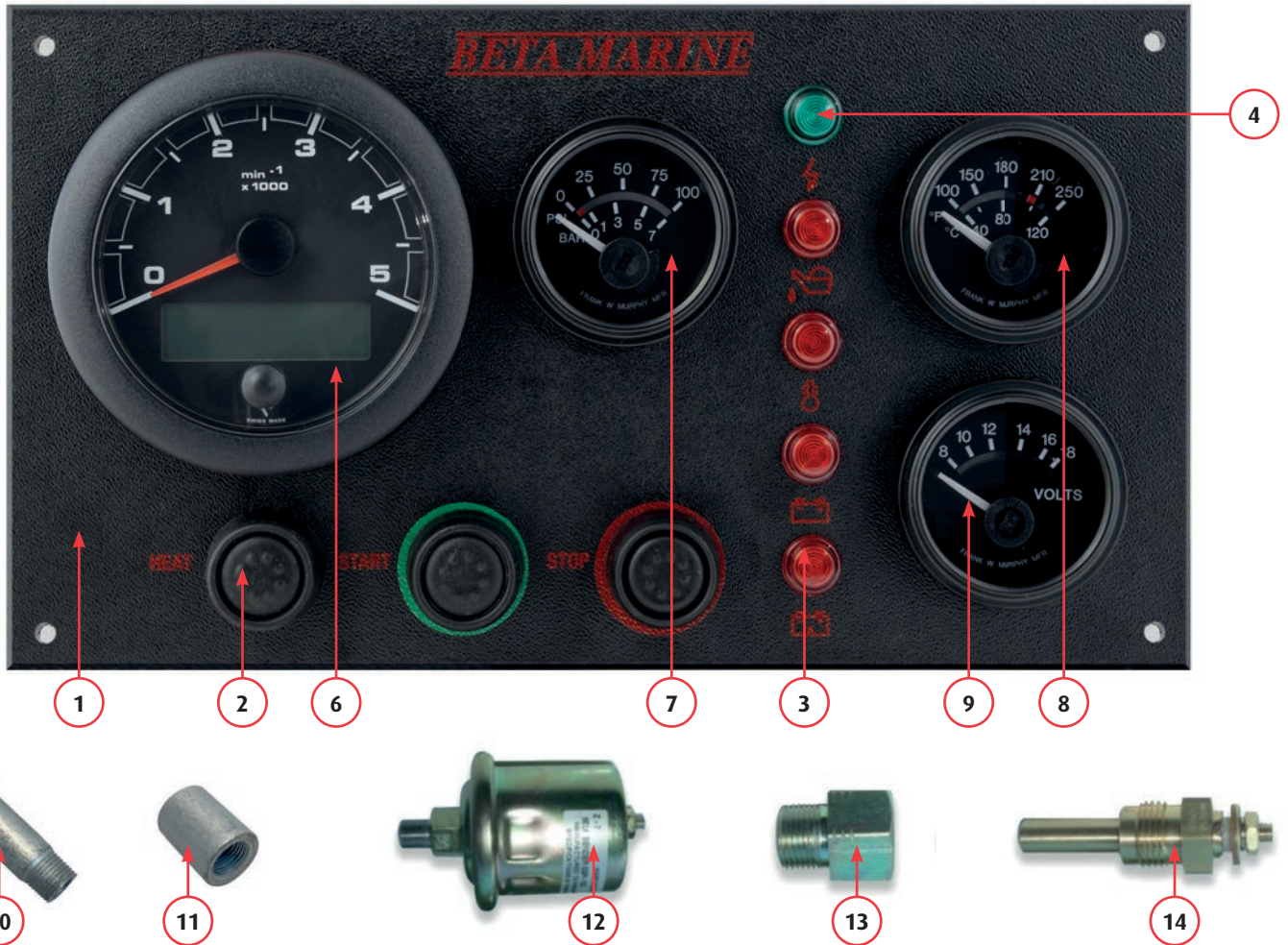


# BETA MARINE

Deluxe C Panel – SeaSpec 5 LAMP Type from May 2005



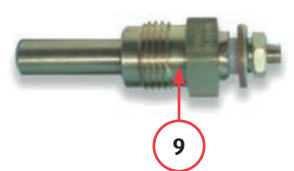
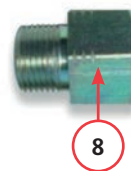
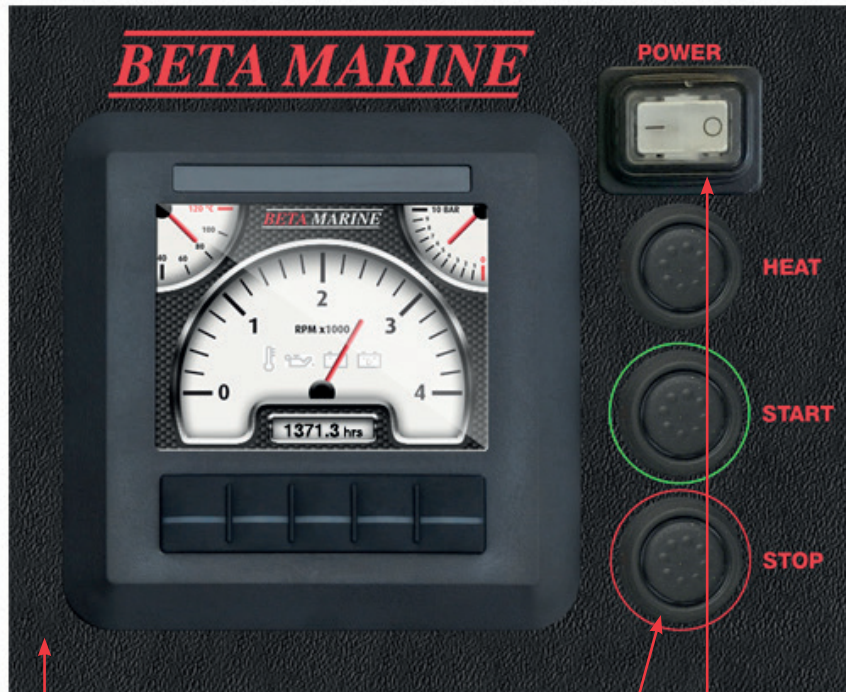
Ref.	Part No.	Description	Qty	Comments
1	AK/2CD/KSOL51	C Deluxe Panel - Domestic 5 Lamp	1	3m extension harness not included - see ref no 17
	AK/2CD/KSNT01	C Deluxe Panel - Domestic 5 Lamp (No tachometer)		3m extension harness not included - see ref no 17
2	200-00072	Panel stop button	1	
3	600-00057	Kubota key switch - suits small key	1	To July 2008
	600-00057/01	Kubota key switch - suits large key		From July 2008
4	600-00058	Kubota keys (small - pair)	1	To July 2008
	600-00058/01	Kubota keys (large - pair)		From July 2008
5	200-04657	Red 12V warning lamp & retaining clip	4	
6	200-04656	Green 12V power on lamp & retaining clip	1	
7	N/A	C Deluxe panel blank (Domestic 5 Lamp)	1	Facia only – check for availability
8	200-21242	0-5000 rpm tachometer with digital hour counter	1	OCEANLINK From June 2021
	200-02373	0-4000 rpm tachometer with digital hour counter		VIEWLINE From January 2010 to June 2021
	200-02373	0-4000 rpm tachometer & hourmeter		OCEANLINE From 2002 to January 2010 - No Longer Available
9	200-96190	Oil pressure gauge	1	
10	200-96200	Water temperature gauge	1	
11	200-96210	Voltmeter gauge	1	
12	212-99397	1/8" BSP Galvanised barrel	1	
13	212-99396	1/8" BSP Galvanised socket	1	
14	200-94350	Oil pressure sender	1	
15	200-91980	Water temperature sender adaptor	1	Alternatively you can use 1/8" sender
16	200-94360	Water temperature sender	1	200-08248 & adaptor 212-01480
17	200-04588/03	3m extension harness	1	Not shown
18	200-00639	11 Way plug to suit male type spade	1	Not shown, refer to page 71
19	200-00047	Male spade for 11 way plug	11	Not shown, refer to page 71
20	200-04583/5W	Domestic charge load resistor	1	Fits on rear of domestic charge lamp



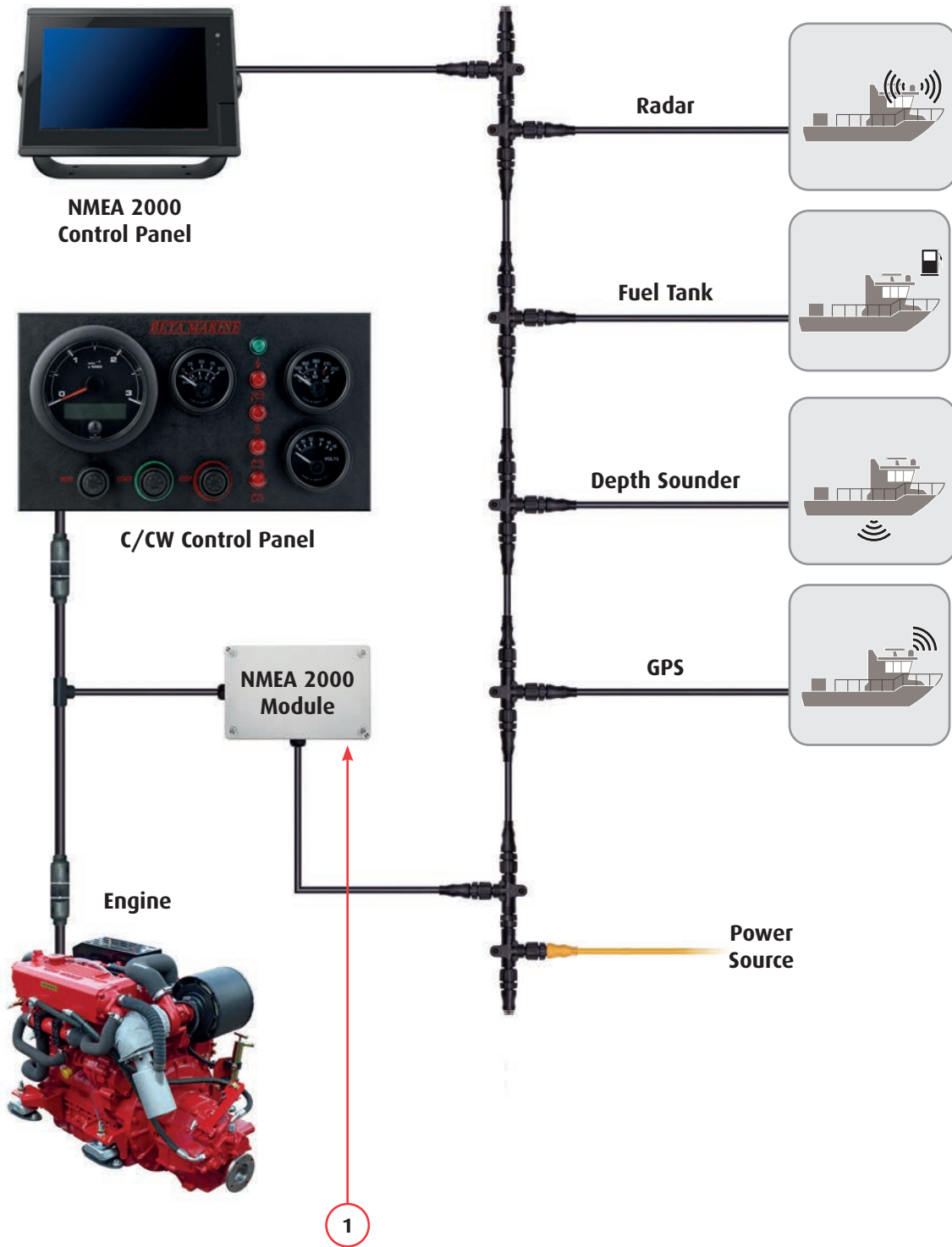
Ref.	Part No.	Description	Qty	Comments
1	AK/2CW/KSOL51	CW Panel – Domestic 5 Lamp	1	3m extension harness not included - see ref no 14
	AK/2CW/KSNT01	CW Panel – Domestic 5 Lamp (No tachometer)		3m extension harness not included - see ref no 14
2	200-00072	Panel stop/start/heat button	3	
3	200-04657	Red 12V warning lamp & retaining clip	3 or 4	
4	200-04656	Green 12V power on lamp & retaining clip	1	
5	200-01293P	CW panel blank - Domestic 5 Lamp	1	Facia only – check for availability
6	200-21242	0-5000 rpm tachometer with digital hour counter	1	OCEANLINK From June 2021
	200-02373	0-4000 rpm tachometer with digital hour counter		VIEWLINE From January 2010 to June 2021
	200-02373	0-4000 rpm tachometer & hourmeter		OCEANLINE From 2002 to January 2010 - No Longer Available
7	200-96190	Oil pressure gauge	1	
8	200-96200	Water temperature gauge	1	
9	200-96210	Voltmeter gauge	1	
10	212-99397	1/8" BSP Galvanised barrel	1	
11	212-99396	1/8" BSP Galvanised socket	1	
12	200-94350	Oil pressure sender	1	
13	200-91980	Water temperature sender adaptor	1	Alternatively you can use 1/8" sender
14	200-94360	Water temperature sender	1	200-08248 & adaptor 212-01480
15	200-04588/03	3m extension harness	1	Not shown
16	200-00639	11 Way plug to suit male type spade	1	Not shown, refer to page 71
17	200-00047	Male spade for 11 way plug	11	Not shown, refer to page 71
18	200-10135	Diode pack to suit CW panel from December 2015	1	Not shown, refer to page 71



## Digital D Panel



Ref.	Part No.	Description	Qty	Comments
1	AK/P/2D/KS01	D-Digital Panel	1	Requires 3m extension harness and senders - see ref no 4, 5, 6, 7 & 8
2	200-09347	Illuminated rocker switch	1	
3	200-00072	Panel stop/start/heat button	3	
4	200-04588/03	3m extension harness	1	Not shown
5	212-99397	1/8" BSP Galvanised barrel	1	
6	212-99396	1/8" BSP Galvanised socket	1	
7	200-94350	Oil pressure sender	1	
8	200-91980	Water temperature sender adaptor	1	Alternatively you can use 1/8" sender
9	200-94360	Water temperature sender	1	200-08248 & adaptor 212-01480



Ref.	Part No.	Description	Qty	Comments
1	AK/P/2D/i01	NMEA 2000 Module for use with C Deluxe & CW panels	1	

## Panel Gauges and Senders



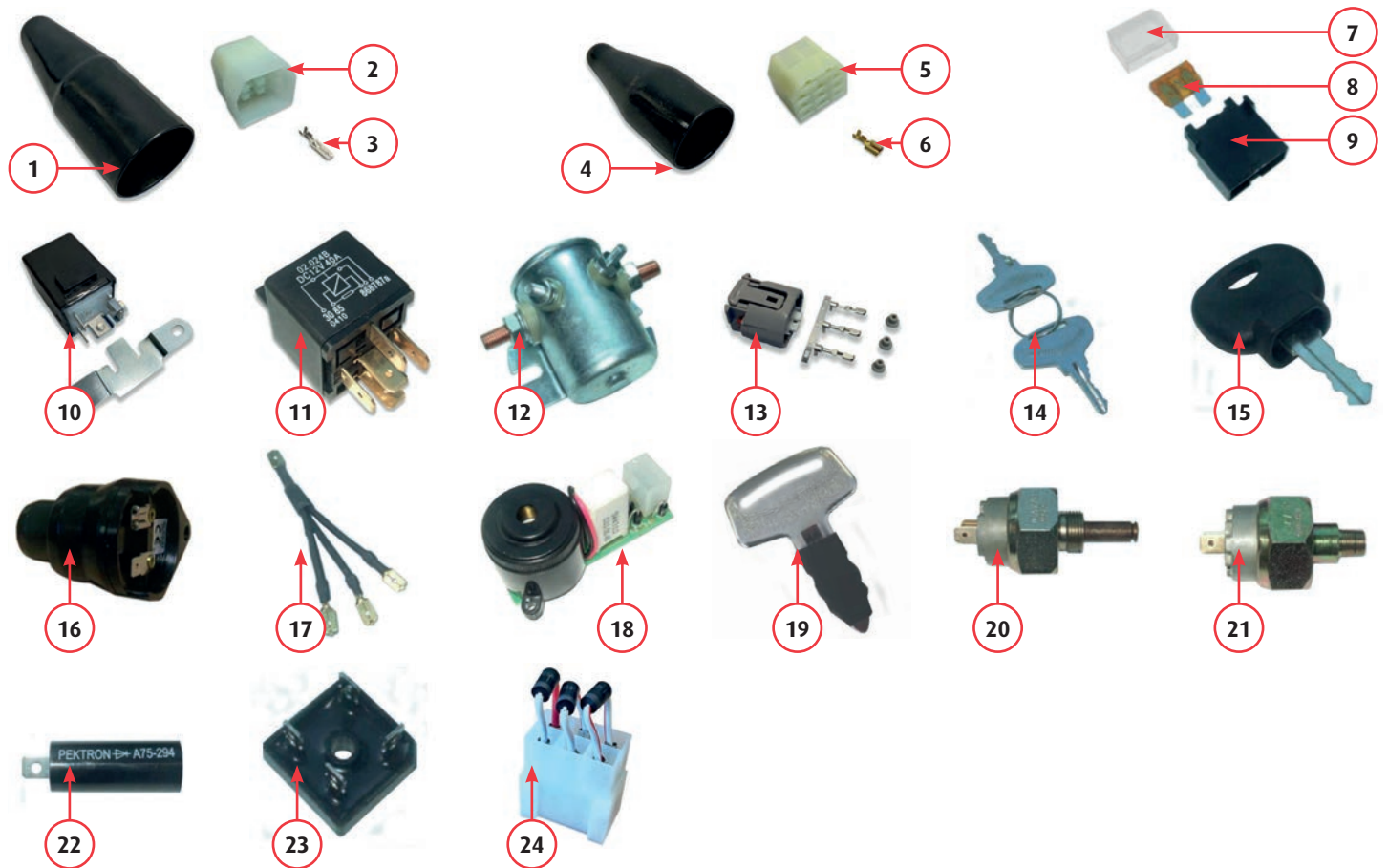
Ref.	Part No.	Description	Qty	Comments
1	200-21242	0-5000 rpm tachometer with digital hour counter	1	OCEANLINK From June 2021
	200-02373	0-4000 rpm tachometer with digital hour counter	1	VIEWLINE From January 2010 to June 2021
	200-02373	0-4000 rpm tachometer & hourmeter	1	OCEANLINK From 2002 to January 2010 - No Longer Available
	200-00054	0-4000 rpm tachometer & hourmeter	1	DATCON To March 2002 - No Longer Available
2	200-08011	Oil pressure gauge	1	VDO VIEWLINE
	200-91380	Oil pressure gauge	1	DATCON
3	200-07981	Water temperature gauge	1	VDO VIEWLINE
	200-91390	Water temperature gauge	1	DATCON
4	200-07980	Voltmeter gauge	1	VDO VIEWLINE
	200-91400	Voltmeter gauge	1	DATCON
5	200-90000	Hourmeter gauge	1	FOZMULA
6	200-01392	Gauge bulb 12V	1	DATCON
7	212-99397	1/8" BSP Galvanised barrel	1	
8	212-99396	1/8" BSP Galvanised socket	1	
9	212-01480	3/8" BSPT M x 1/8" F adaptor tail	1	
10	200-62680	0-5 Bar switch/sender	1	
11	200-01133	Water temperature switch/sender 95°C	1	
12	200-04805	Red tachometer 12v bulb	2	VDO Not shown
13	200-96220	Tachometer bulb 12V	1	DATCON Not shown
14	200-07664	8 Pin gauge connector	1	VIEWLINE Not shown





Ref.	Part No.	Description	Qty	Comments
1	200-22729	12 Pin connector	1	For OCEANLINK gauges
2	200-07664	8 Pin connector	1	For VIEWLINE gauges
3	200-08875	Calibration wiring harness	1	For VIEWLINE tachometers
4	200-07664-OL	8 Pin connector	1	To suit OCEANLINE replacement
5	200-10381	OCEANLINE conversion harness	1	To suit VIEWLINE panel
6	200-10091B	Replacement 52mm bezel	1	For VIEWLINE gauges
7	200-10090B	Replacement 85mm bezel	1	For VIEWLINE tachometers

## Control Panel Components



Ref.	Part No.	Description	Qty	Comments
1	200-00048	Large shroud for 11 way plug	1	On panel connection
2	200-00639	11 Way plug to suit male type spade	1	On panel connection
3	200-00047	Male spade for 11 way plug	11	On panel connection
4	200-00638	Small shroud for 11 way socket	1	On engine harness
5	200-00046	11 Way socket to suit female type spade	1	On engine harness
6	200-00181	Female spade for 11 way socket	11	On engine harness
7	200-01426	Plastic clear fuse cover	1	On engine harness
8	200-00959	40 Amp fuse blade	1	On engine harness
9	200-00640	Fuse holder for 40 Amp fuse blade	1	On engine harness
10	200-57640	12V 33Ra 70 Amp relay	1	For extended looms
11	200-87020	12V 28Ra 40 Amp relay	1	On rear of panel
12	200-89950/01	12V heavy duty relay	1	For insulated earth
13	600-02405	Kubota alternator 3 pin coupler	1	For 3 pin Denso alternator
14	600-00058	Kubota keys (small pair)	1	To July 2008
15	200-98965	Murphy keys (pair)	1	To May 2005
16	200-99433	12V buzzer	1	B panel To May 2005
17	200-98980	Panel diode pack	1	ABV To May 2005
18	200-04655	Alarm board with buzzer	1	Standard From May 2005
19	600-00058/01	Kubota keys (large pair)	1	From July 2008
20	200-02069	Water temperature switch 096C 3/8" BSP	1	Generating set standard
21	200-61190	Oil pressure switch 98kPa 1/8" BSP	1	Generating set standard
22	200-03466	Pektron diode	1	Push button panels
23	200-02618	Diode bridge	1	Push button panels
24	200-10135	Diode pack	1	CW panel From December 2015
25	200-04623	14 Core panel cable	/m	Not shown



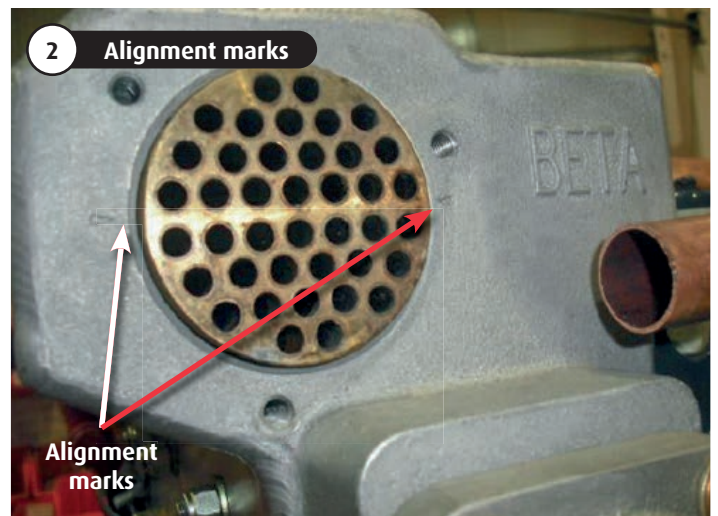
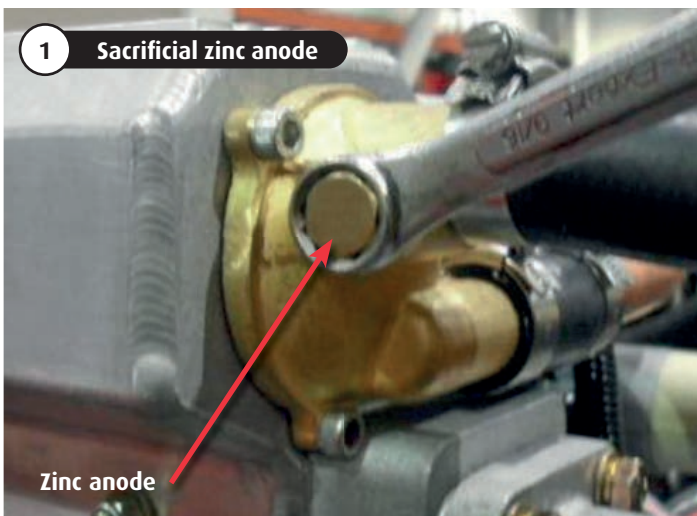
Ref.	Part No.	Description	Qty	Comments
KIT	AK/SML/EXP/001	Expansion tank kit, complete	1	No Longer Available
1	209-03065	Expansion tank	1	
2	209-03066	Expansion tank lid	1	
3	202-21375	Expansion tank mounting bracket	1	No Longer Available
4	202-21375	Expansion tank holding band	1	No Longer Available
5	212-07011	Hose cap blanking bung	1	
6	212-07009	No 22 Stainless steel hose clip	1	
7	218-99247	3/4" Bore water hose	1m	
8	212-98464	Stainless steel hose clip 22-30mm	1	
9	212-99233	3/8" BSPT 5/8" hose tail	1	



Ref.	Part No.	Description	Qty	Comments
KIT	AK/SML/EXP/002	Expansion tank kit, complete	1	
1	209-03065	Expansion tank	1	
2	209-03066	Expansion tank lid	1	
3	202-21375	Expansion tank mounting bracket	1	
4	262-04015	Stainless steel hose clip 120-140mm	1	
5	212-07011	Hose cap blanking bung	1	
6	212-06818	Stainless steel hose clip 13-20mm	1	
7	218-99247	3/4" Bore water hose	1m	
8	212-98464	Stainless steel hose clip 22-30mm	1	
9	210-03297	3/8" BSPT x 3/4" hose tail	1	

## Replacing Sacrificial Anode & Cleaning Heat Exchanger Tubestack on Mini Series Engines - From 2011

1. The sacrificial zinc anode should be replaced every year. This can be more frequent depending on the environment the engine is in. The anode is attached to the bolt inserted in the rear end cap of the heat exchanger. Please refer to image 1.
2. Using a 9/16" spanner, unscrew the bolt and replace the complete unit with a new one.
3. Check for leaks.
4. It is possible for fine sea weed and other debris to get past the inlet filter and into the tube stack. This requires removal of the tube stack for cleaning.
5. Drain off coolant into a bucket.
6. Unscrew the 6 end cap retaining bolts using a 5mm Hex Key (three each end of the tube stack). Remove the 'O' rings and slide out the tube stack. Clean tube stack and end caps.
7. Re-assemble using new 'O' rings, Beta Marine part number 212-07273. Do not over tighten end cap bolts and make sure the tube stack is the right way round. Please refer to image 2. This is to ensure sea water flows correctly through the tubestack and not straight out of the exhaust, allowing sea water to flow from the lower twenty tubes to the front endcap where it then returns through the upper twenty tubes, past the wasting anode and into the exhaust system.
8. Re-fill engine with water/anti-freeze solution and run engine up to temperature to check for leaks.



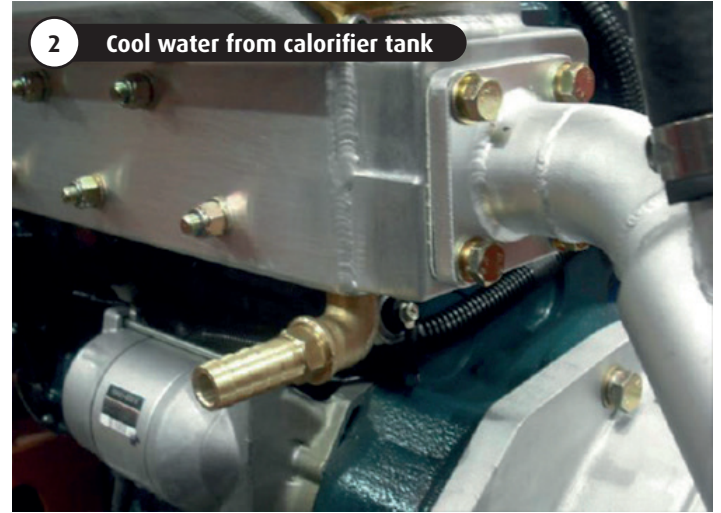
Part No.	Description	Qty
212-07273	Mini heat exchanger 'O' ring	2
209-61840	Sacrificial zinc anode	1
217-00190Z	M6 x 16mm socket cap screw	6





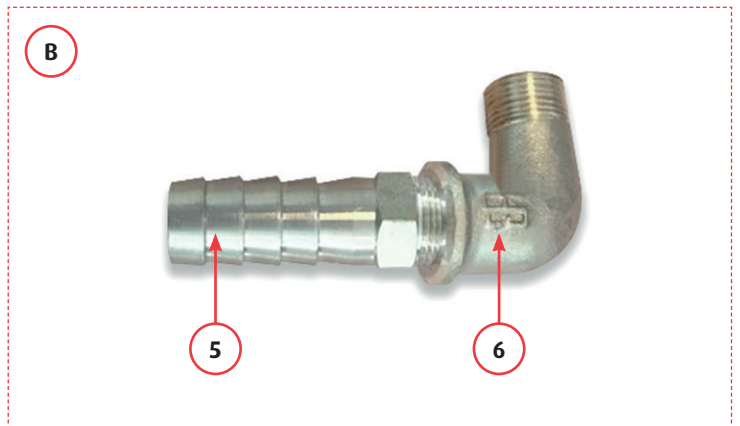
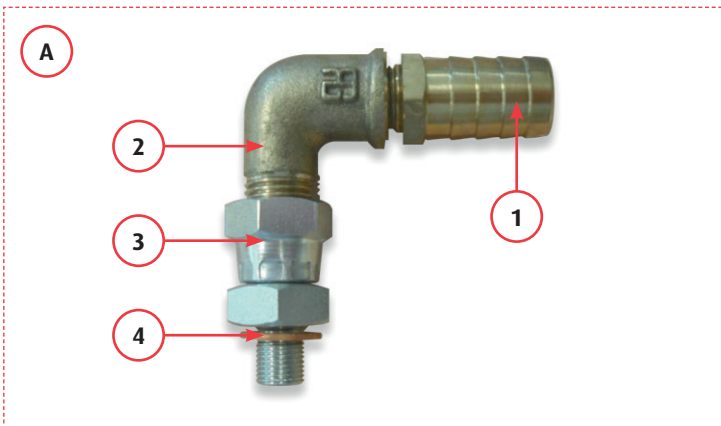
This is a universal calorifier kit suiting engines from 10 to 62hp. Not all supplied parts may be required for your upgrade, but the instructions are however relevant for this engine family.

IPL Beta 10, 14, 16, 20 & 25 Calorifier Kit



1. Remove 1/8" BSP bung from cylinder head, behind last injector at rear starboard side of engine.
2. Fit 1/8" BSP male swivel adaptor with the supplied copper washer. Into this, fit the elbow and 5/8" hose connector.

1. Remove bung from underside of heat exchanger tank with 8mm hex key.
2. Fit 3/8" BSP male x female elbow.
3. Fit 3/8" BSP x 5/8" hose connector.



Ref.	Part No.	Description	Qty	Comments
Kit	AK/HE/CAL/KS10-38/01	Calorifier kit and sub components	1	Includes parts A & B
1	212-00904	5/8" hose connector	1	
2	212-04356	1/8" BSP male x female elbow	1	
3	210-07357	1/8" BSP male swivel adaptor	1	
4	212-06565	Cooper flat washer	1	
5	212-99233	3/8" BSP x 5/8" hose connector	1	
6	212-99237	3/8" BSP male x female elbow	1	

**Note:** All fittings to be sealed with PTFE tape or pipe sealant to prevent water leaks when engine is at operating temperature and pressure.



## Installation Kits

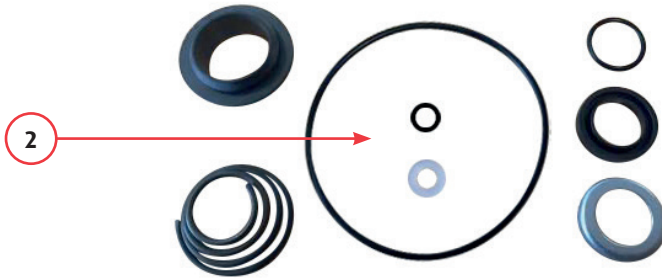


Ref.	Part No.	Description	Qty	Comments
1	AK/SML/HE/6e/001	Water Inlet Kit - 3/4" ID	1	
2	AK/SML/HE/6b/001	Water cooled exhaust kit 50mm	1	
3	AK/SML/HE/6c/001	Plastic waterlock kit 50mm	1	Including 4x hose clips
4	212-00466	Anti-Siphon kit with vent	1	
5	AK/SML/6g/001	Flexible fuel pipes 24" OAL ISO7840	1	
	AK/SML/6k/001	Fuel delivery kit	1	
6	AK/SML/6k/001	Fuel leak off kit	1	
	AK/SML/6l/H01	Fuel/water separator kit	1	Heat exchanger cooled 8mm hose tails
AK/SML/6l/001	Keel cooled 8mm compression			
8	AK/6H/HE/KS01	Electric fuel lift kit 12v	1	Supplied with connections for both heat exchanger and keel cooled engines
9	AK/SML/3h/001	Remote oil filter kit	1	
10	AK/SML/5a/002	Single lever control	1	
11	212-96070/01	Single lever control cables 3m	1	
12	200-96160	Battery leads 1.5m, 35mm (x1 black & x1 red)	1	

## Heat Exchanger Cooled

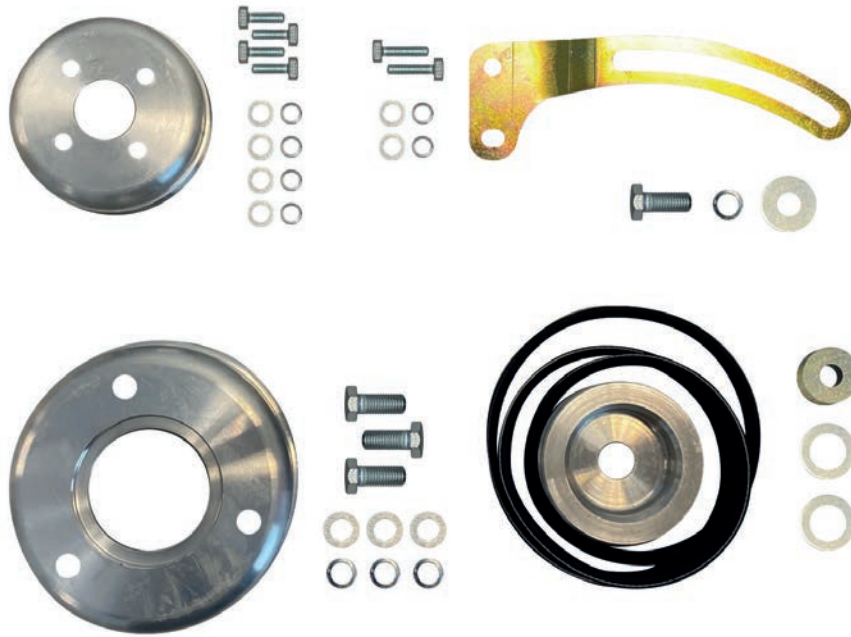


## Keel Cooled



Ref.	Part No.	Description	Qty	Comments
1	AK/SML/6l/H01	Fuel/water separator - heat exchanger cooled	1	8mm hose tails
	AK/SML/6l/001	Fuel/water separator - keel cooled		8mm compression
2	212-02632	Seal kit for separator	1	
3	212-02631	Filter for separator	1	

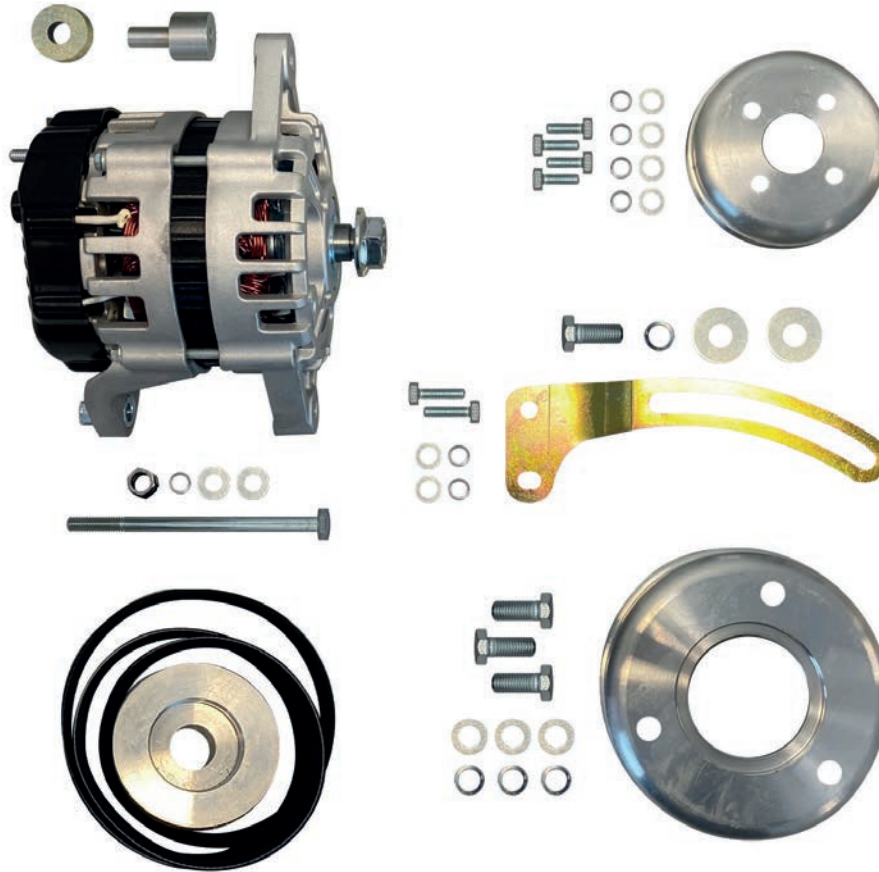
## Beta 10, 14, 16, 20 & 25 (non turbo) 6K Polyvee 1st Alternator Drive Upgrade Kit - From 2011



This upgrade kit supplied to suit the Beta 10, 14, 16, 20 & 25 engines from 2011. The **alternator drive upgrade** kit is supplied to suit engines originally built to a standard specification, further modification to the engine may be required whilst fitting. This is the responsibility of the installer and not Beta Marine.

**Note:** Upgrade kit available including three pulleys and drive belt is available for the Beta 10, 14, 16, 20 & 25 engines. Please select from the options below.

Ref.	Part No.	Description	Qty	Comments
N/A	AK/MINI/K/4K/E02	40 Amp Alternator polyvee drive upgrade kit - No alternator included	1	Beta 10, 14 & 20
	AK/MINI/65APV/E601		1	Beta 16
	AK/MINI/K/4K/9ES01		1	Beta 25



This upgrade kit is supplied to suit the latest Beta 10, 14, 16, 20 & 25 engines with 3 bolt style heat exchange manifolds supplied from 2011. This **alternator upgrade** kit is supplied to suit engines originally built to a standard specification, further modification to the engine may be required whilst fitting. This is the responsibility of the installer and not Beta Marine.

**Note:** Set screws to be fitted with thread lock, shims supplied to aid alternator pulley alignment whilst fitting, it is important this is checked to give correct pulley alignment.

Ref.	Part No.	Description	Qty	Comments
N/A	AK/MINI/65APV/E01	75 Amp Alternator and polyvee drive upgrade kit - Includes alternator	1	Beta 10, 14 & 20
	AK/MINI/65APV/E601		1	Beta 16
	AK/MINI/65APV/ES901		1	Beta 25



# ***BETA MARINE***

Notes...

