

Description		Part No.	Quantity
Heat Exchanger 'O' Ring	3 Bolt End Cap	212-07273	2
	Single Bolt End Cap	209-80110	2
Sacrificial Zinc Anode		209-61840	1
Exhaust Gasket	Beta 43, 50 & 60	212-09070	1
	Beta 62T	600-09731	1
Pressure Cap		209-80130	1
Thermostat	Engines with Front Mounted Solenoid	600-05289	1
	Engines with Side Mounted Solenoid	600-72450	1
Thermostat Gasket		600-80490	1
Drive Plate	TMC60 - 22-B-60	206-91950	1
	PRM150 Hydraulic - To December 2009	206-03981	
	PRM150 Hydraulic - From December 2009	206-07584	
	ZF25 Hydraulic - From July 2006	206-05185	
Beta 43, 50, 60 & 62T Heat Exchanger Alternator Options			
70 Amp alternator	From April 2019 - Not USA Also replacement for older 65 Amp alternators	200-10604	1
	To March 2019 - Not USA	200-01155	
	V Belt - Check Before Ordering Beta 43, 50 & 60 - From April 2011	214-80750	1
	V Belt - Check Before Ordering Beta 62T - From January 2021		
	6PK PolyVee Drive Belt - Check Before Ordering Beta 43, 50 & 60 - From April 2011	214-92105	1
	6PK PolyVee Drive Belt - Check Before Ordering Beta 62T - From January 2021		
	V Belt - Check Before Ordering Beta 43 - From September 2008 to April 2011	214-99223	1
	V Belt - Check Before Ordering Beta 50 - From July 2007 to April 2011		
	V Belt - Check Before Ordering Beta 60 - From July 2007 to April 2011		
	V Belt - Check Before Ordering Beta 43 - To September 2008	214-96830	1
	V Belt - Check Before Ordering Beta 50 - To July 2007		
100 Amp alternator	Alternator - From 2003 to 2012	200-03008	1
120 Amp alternator in lieu of standard	Alternator - From 2012	200-08183	1
	6PK PolyVee Drive Belt - Check Before Ordering Beta 43, 50 & 60 - From October 2009	214-07037	1
	6PK PolyVee Drive Belt - Check Before Ordering Beta 43 - From September 2008 to October 2009	214-92105	1
6PK PolyVee Drive Belt - Check Before Ordering Beta 50 & 60 - From July 2007 to October 2009			
175 Amp alternator in lieu of standard	Alternator	200-05261	1
	6PK PolyVee Drive Belt - Check Before Ordering	214-04776	1
175 Amp second domestic alternator	Alternator	200-05261	1
	6PK PolyVee Drive Belt - Check Before Ordering	214-92070	1

Quick Reference Tables

Description		Part No.	Quantity
Beta 43, 50, 60 & 62T Keel Cooled Alternator Options			
45 Amp alternator	Alternator	600-07245	1
	V Belt - Check Before Ordering Beta 43, 50 & 60 - From 2020	600-07333	1
	V Belt - Check Before Ordering Beta 43 & 50 - From 2009	600-07333	1
	V Belt - Check Before Ordering Beta 60 - From 2009 to 2020	600-04885	1
	V Belt - Check Before Ordering Beta 43 (BV1903) Side Mounted Solenoid - To 2009	600-01361	1
	V Belt - Check Before Ordering Beta 50 Side Mounted Solenoid - To 2009	600-00711	1
175 Amp second domestic alternator	Alternator	200-05261	1
	6PK PolyVee Drive Belt - Check Before Ordering Beta 43, 50 & 60 - From November 2009	214-00497	1
	6PK PolyVee Drive Belt - Check Before Ordering Beta 43, 50 & 60 - To November 2009	214-04776	1
Fuel Filter	Heat Exchanger Engines	211-60210	1
	Keel Cooled Engines	211-02817	1
Air Filter Element	Plastic Air Filter Assembly - From January 2014	211-09179	1
	Central Wing Nut - From January 2011 to January 2014	211-08133	1
	3 Clamp Type - To December 2010	211-61831	1
Adaptor Sleeve to suit Plastic Body Air Filter Assembly	Beta 43, 50 & 60 - From January 2014	209-09225	1
	Beta 62T - From January 2021	202-22573	1
Oil Filter Element		211-70510/02	1
Sump Drain Pump		210-80061	1
Sump Drain Pump Clamp		212-00793	2
Beta Marine Gear Driven Sea Water Pump - From 2021	Pump - Beta 62T	207-22312	1
	Impeller Kit	207-10709	1
	'O' Ring, Sea Water Pump to Engine	210-23434	1
Beta Marine Gear Driven Sea Water Pump - From June 2013	Pump - Beta 43, 50 & 60	207-10708	1
	Impeller Kit	207-09042-KIT	1
	'O' Ring, Sea Water Pump to Engine	209-10719	1
Johnson Gear Driven Sea Water Pump - From Sept 2009 to June 2013	Pump - Beta 43, 50 & 60	207-07415	1
	Impeller Kit	207-09042-KIT	1
	Sea Water Pump Service Kit (Inc. Gasket & Screws)	207-02133	1
Jabsco Gear Driven Sea Water Pump - To September 2009	Pump - Beta 43, 50 & 60	207-80780	1
	Impeller Kit	207-80800	1
	Sea Water Pump Service Kit (Inc. Gasket & Screws)	207-80810	1
Fuel Lift Pump	Beta 43 & 60, Beta 50 - From July 2008	600-80870	1
	Beta 50 - To July 2008	600-00633	
Fuel Lift Pump Gasket		600-00538	1

Description		Part No.	Quantity
Fuel Stop Solenoid	Beta 43, 50 & 60 - Energised to Stop Beta 50 & 60 - To July 2007, Beta 43 - To September 2008	600-71670	1
	Beta 50 & 60 - Energised to Run Beta 50 - To July 2008, Beta 60 - To November 2009	600-06964	
	Beta 43 - Energised to Stop Beta 43 - From September 2008, Beta 50 - From July 2008, Beta 60 - From November 2009, Beta 62T - From January 2021	600-02244	
Control Panel Standard Key	From June 2008	600-00058/01	A pair
	To June 2008	600-00058	
Control Panel Key Switch	From June 2008	600-00057/01	1
	To June 2008	600-00057	
Control Panel Stop Button	Also ABVW, BW & CW Panel Heat & Start	200-00072	1
Tachometer	0-3000 rpm with Digital Hour Counter	200-21241	1
Water Temperature Gauge	For B, BW, C Deluxe & CW Control Panels	200-96200	1
Oil Pressure Gauge	For C Deluxe & CW Control Panels	200-96190	1
Voltmeter	For C Deluxe & CW Control Panels	200-96210	1
Green Power on Indicator	Lamp & Retaining Clip (P/N 200-09797)	200-04656	1
Red Warning Indicator	Lamp & Retaining Clip (P/N 200-09797)	200-04657	3 or 4
Alarm Board	ALL Panels - From June 2005	200-04655	1
Relay 12 Volt 40A (28Ra)	Fitted to the Rear of Panels	200-87020	1
40 Amp Fuse Blade		200-00959	1
Standard Engine Harness		200-05267	1
Water Temperature Switch	For A, ABV & ABVW Panels - From November 2008	600-62820	1
Water Temperature Switch	For A, ABV & ABVW Panels - To October 2008	200-01133	
Water Temperature Sender	1/8" BSP For B, BW, C Deluxe & CW Control Panels - From April 2011	200-08248	
Water Temperature Sender	5/8" UNF For B, BW, C Deluxe & CW Control Panels - To April 2011	200-94360	
Water Temperature Switch	For Insulated Earth Return Engines & Panels	200-08830	1
Oil Pressure Switch	For A, ABV, ABVW, B & BW Panels	600-62670	
Oil Pressure Sender	For C Deluxe & CW Control Panels	200-94350	
Oil Pressure Switch	For Insulated Earth Return Engines & Panels	200-61190	1
Panel A - Key Switch		AK/2AS/KS01	
Panel AB - Key Switch	0-3000 rpm Tachometer with Digital Hour Counter	AK/2ABD/KS031	
Panel ABV - Key Switch	0-3000 rpm Tachometer with Digital Hour Counter	AK/2ABV/KS031	
Panel ABVW - Push Button	0-3000 rpm Tachometer with Digital Hour Counter	AK/2ABVW/KS031	
Panel B - Key Switch	0-3000 rpm Tachometer with Digital Hour Counter & Temperature Gauge	AK/2BT/KS031	
Panel BW - Push Button	0-3000 rpm Tachometer with Digital Hour Counter & Temperature Gauge	AK/2BTW/KS031	
Panel C - Key Switch	0-3000 rpm Tachometer with Digital Hour Counter, Temperature, Oil Pressure & Voltage Gauges	AK/2CD/KS031	
Panel CW - Push Button	0-3000 rpm Tachometer with Digital Hour Counter, Temperature, Oil Pressure & Voltage Gauges	AK/2CW/KS031	

Quick Reference Tables

Description		Part No.	Quantity
NMEA 2000 Module	Allows C & CW Panels to Interface with a NMEA 2000 Network	AK/P/2D/i01	1
D-Digital - Push Button	Fully Digital Stand Alone or Fully NMEA 2000 Network Compatible Panel	AK/P/2D/KS01	
Cylinder Head Gasket	Beta 43 (BV1903)	600-00566	1
	Beta 43 (BV2003)	600-08063	
	Beta 50	600-08189	
	Beta 60		
	Beta 62T		
Exhaust Manifold Gasket	Engine to Header Tank - part 1 of 2	600-07197	1
	Engine to Header Tank - part 2 of 2	600-07198	1
Top Gasket Set	Beta 43 (BV1903)	600-00378	1
	Beta 43 (BV2003)	600-09078	
	Beta 50*	AK/S3/2203TOP/M01	
	Beta 60	AK/S3/2403TOP/001	
	Beta 62T	AK/S3/2403TTOP/001	
Lower Gasket Set	Beta 43 (BV1903)	TBC	1
	Beta 43 (BV2003)	600-09079	
	Beta 50	TBC	
	Beta 60	TBC	
	Beta 62T	TBC	
Flexible Mounts	Type 45 Shore Metalastic Type	213-85900/02	4
	Type 55 Shore Metalastic Type	213-96970/01	
Extended Dipstick	Replacement Dipstick Blade - Starboard Mounted	600-09518	1
	Replacement Dipstick Guide - Starboard Mounted	600-09519	1
	Replacement Dipstick Blade - Port Mounted	600-96320	1
	Replacement Dipstick Guide - Port Mounted	600-96320/01	1
Rocker Cover Gasket		600-06374	1
Rocker Cover Oil Filler Cap		600-00579	1
Rocker Cover Oil Filler Cap 'O' Ring		600-00258	1
Fuel Leak Off Rail	Beta 50 - To July 2007	600-00549	1
	Beta 43, 60 & Beta 50 - From July 2007	600-00548	
Fuel Leak Off Rail to Injector Gasket		600-00537	4
Fuel Injector to Cylinder Head Gasket		600-00242	4
Water Hose	Fresh Water Pump to Thermostat Housing	600-10738	1
Rocker Cover Air Hose	Inlet Manifold to Rocker Cover Vent - From 2005	600-07698	1
	Rocker Cover to Atmosphere - To 2005	600-01717	
Starter Motor	Beta 43 (BV1903)	600-00540	1
	Beta 43 (BV2003)	600-07408	
	Beta 50	600-00540	
	Beta 60 & Beta 62T	600-07064	

*Front mounted fuel solenoid engines only. TBC please contact Beta Marine.

Manuals		Part No.	Quantity
Operators Maintenance Manual		221-20031	1
Workshop Manual – Base Engine Only	Beta 43 (BV1903)	600-23811	2 available as a PDF
	Beta 43 (BV2003)	600-00758	
	Beta 50 (BV2203)		
	Beta 60 (BV2403)		
	Beta 62T (BV2403T)		
Spare Parts Manual – Base Engine Only	Beta 43 (BV1903)	600-23800	5 available as a PDF
	Beta 43 (BV2003)	600-11126	
	Beta 50 (BV2203)	600-11127	
	Beta 60 (BV2403)	600-02441	
	Beta 62T (BV2403T)	600-23801	

Note: the above part numbers are suitable for earth return installations only (where the battery negative cable is connected directly to engine earth/ground). For insulated earth (where battery negative cable is isolated from engine earth/ground) different harnesses, alternators, switches for oil pressure and engine temperature will be required.

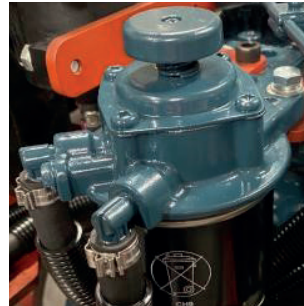
If your application is wired as insulated earth return and the engine will not operate correctly, always check starter battery negative is connected to the correct terminal on the isolating solenoid. It should be connected to the terminal which is also used for all the small black wires, NOT the terminal with the single black wire connected directly to engine ground.

Fuel & Oil Filter Identification

FUEL FILTER IDENTIFICATION

Any engine equipped with a square fuel filter assembly with priming button requires a fuel filter with the part number:

211-60210



Any engine equipped with a round fuel filter assembly with priming button requires a fuel filter with the part number:

211-02817



OIL FILTER IDENTIFICATION

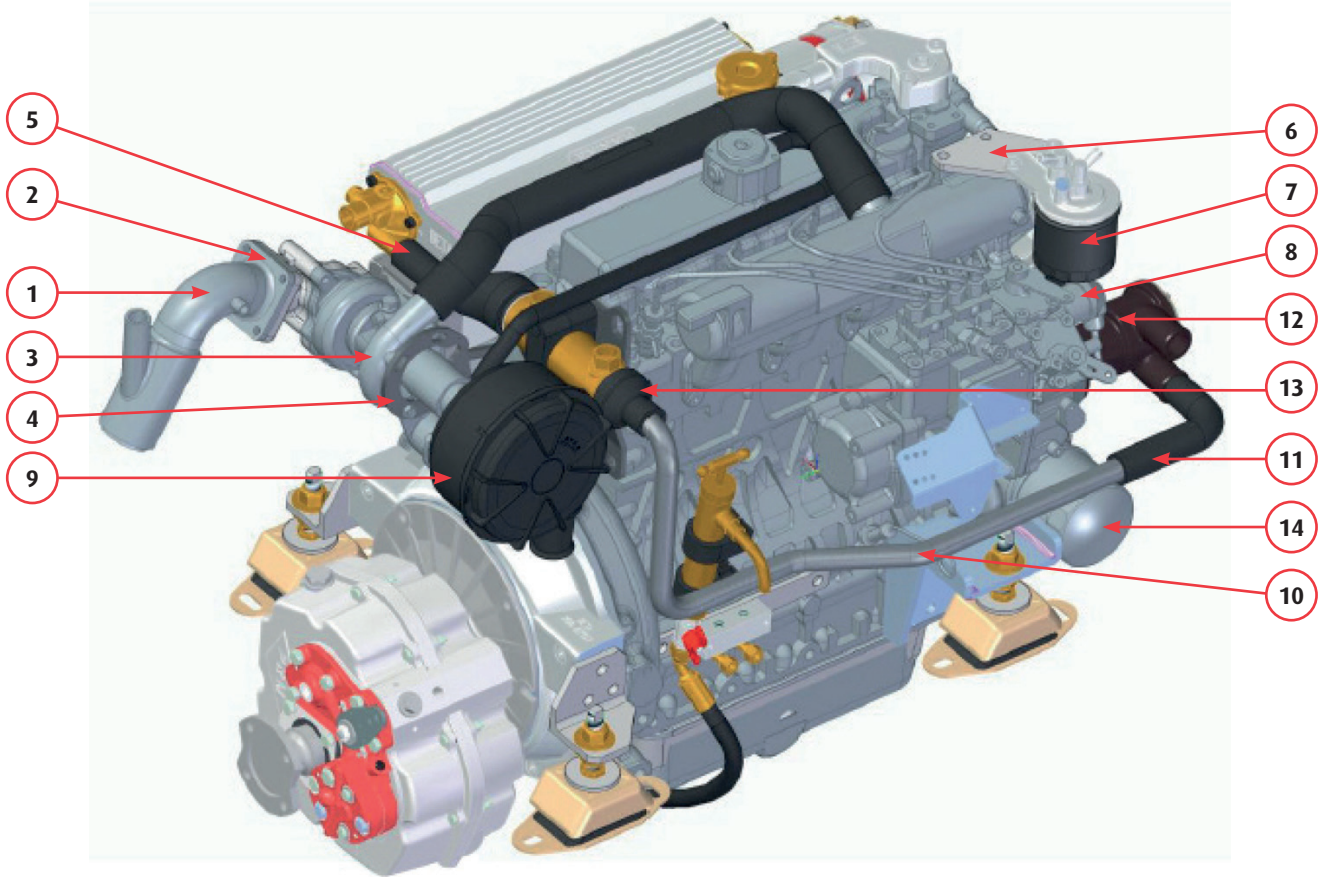
Any Beta 43, 50, 60 & 62T engines equipped with extended rails the standard oil filter can be replaced by an extended oil filter for easier access. This oil filter is part number:

211-80830



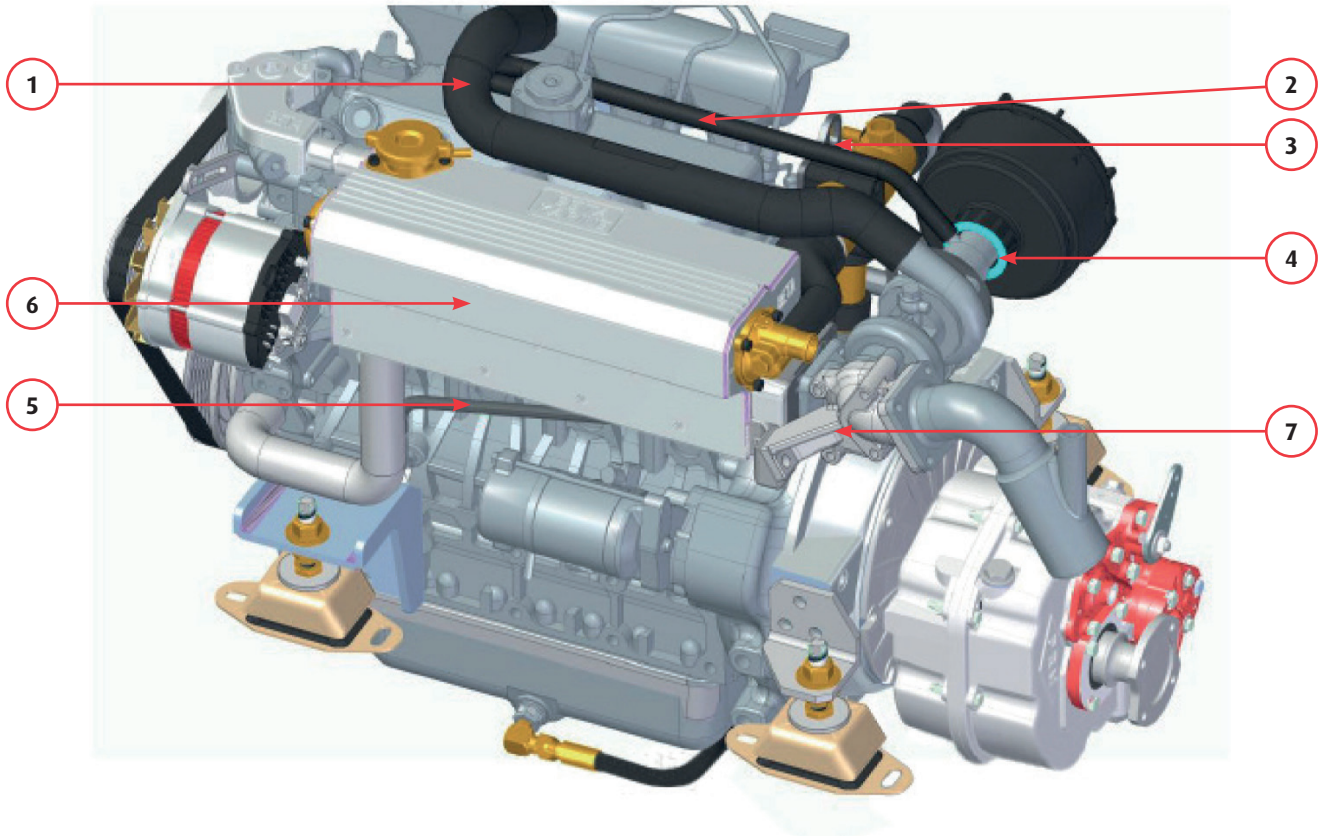
Heat Exchanger Cooled

IPL Beta 62T (T - turbocharged) - From 2021 Starboard View



Ref.	Part No.	Description	Qty	Comments
1	202-22572	Stainless steel standard 60mm (2 3/8") OD x 25mm water injection bend	1	60mm diameter
	202-22963	Stainless steel 125mm (5") High rise x 60mm (2 3/8") OD x 25mm water injection bend		
2	600-09731	Exhaust gasket	1	
3	212-10030	Turbo insulation jacket	1	Not shown
4	202-21944	Turbo valve bracket	1	
5	202-22344	Gearbox oil cooler outlet end cap	1	
6	202-05779	High fuel filter bracket	1	Not shown
	202-23159	Low fuel filter bracket		
7	211-60210	Fuel filter element	1	
8	600-02244	Fuel solenoid, front mounted energised to stop	1	For 600-02244
	600-07330	Solenoid plug kit		
	600-11047	Solenoid 'O' ring		
9	211-09179	Air filter element	1	Not shown
	211-09178	Air filter assembly		Includes air filter element
10	202-08795	Sea water pipe	1	Hydraulic gearbox
	202-22582		1	Mechanical gearbox
11	209-10451	Sea water elbow	1	32mm-22mm ID
12	207-22312	Sea water pump - complete	1	Pump to adaptor Pump to engine
	207-10709	Sea water pump impeller		
	210-23434	Sea water pump 'O' ring		
	201-23166	Sea water pump adaptor		
13	210-00171	Gearbox oil cooler inlet end cap	1	
14	211-70510/02	Oil filter element	1	

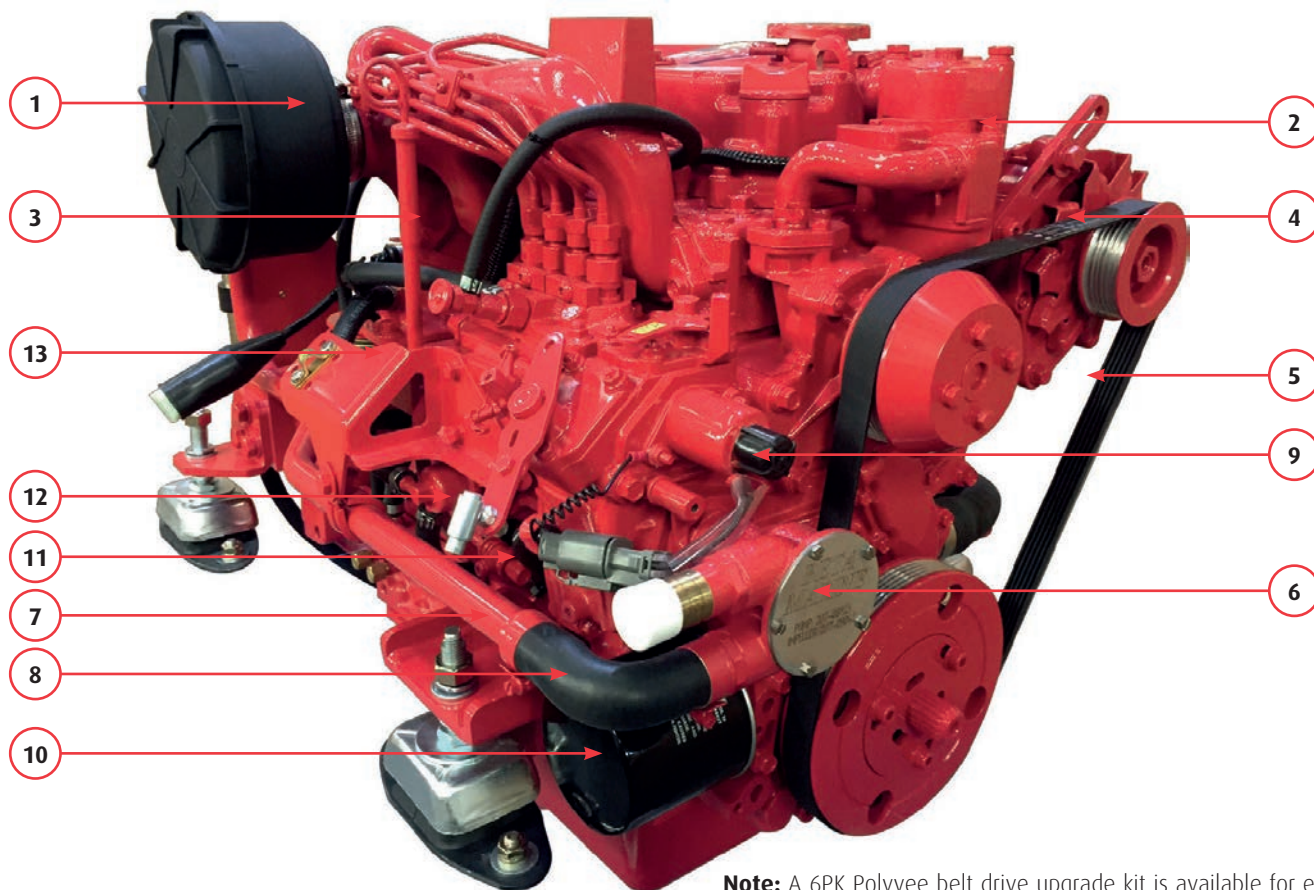
Beta 62T (T - turbocharged) - From 2021 Port View



Ref.	Part No.	Description	Qty	Comments
1	202-21890	Air inlet hose	1	
2	202-22571	Breather pipe	1	
3	202-22570	Oil cooler bracket & lifting eye	1	
4	202-22573	Air filter intake adaptor	1	
5	202-22581	Turbocharger oil drain pipe	1	
6	AK/S3T/4CYL/E01	Beta 62T 3 bolt end cap heat exchanger manifold	1	
7	600-21876	Turbocharger adaptor casting	1	Manifold to turbocharger

Heat Exchanger Cooled

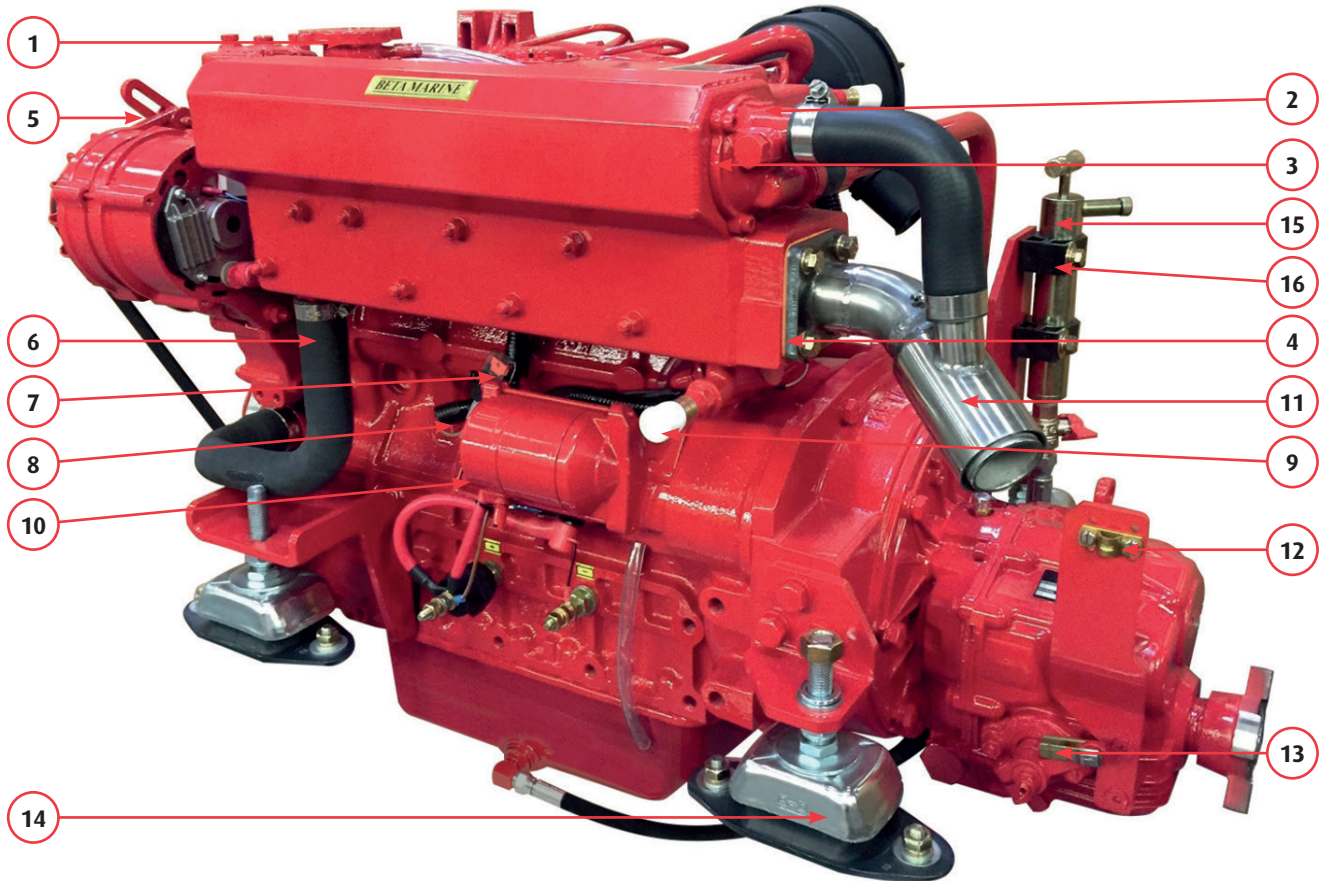
IPL Beta 43, 50 & 60 (non turbo) - From 2012 Front View



Note: A 6PK Polyvee belt drive upgrade kit is available for engines that have a front mounted fuel solenoid please refer to page 87

Ref.	Part No.	Description	Qty	Comments
1	211-09179	Air filter assembly	1	Plastic body - From 2014
	211-08133			Steel body - From December 2011 to December 2013
2	600-05289	Thermostat	1	
	600-80490	Thermostat gasket		
3	600-09518	Extended dipstick	1	
	600-09519	Extended dipstick guide		
4	200-01155	70 Amp alternator	1	Standard
	200-08183	120 Amp alternator		Optional
	200-05261	175 Amp alternator		Optional
5	214-80750	70 Amp V belt	1	Standard
	214-07037	120 Amp 6PK Polyvee belt		Optional
	214-04776	175 Amp 6PK Polyvee belt		Optional
6	207-10708	Sea water pump - complete	1	From January 2017
	207-08923			From June 2013 to 2017
	207-07415			To June 2013
7	202-08795	Sea water pipe	1	
8	209-91760/01	Sea water elbow	1	
9	600-02244	Fuel solenoid	1	
	600-07330	Solenoid plug kit	1	
10	211-70510/02	Oil filter	1	
11	600-00621	Water drain tap	1	Beta 43 & 50
	210-20592			Beta 60 & 62T - From October 2018 Forward end port side, not shown
12	600-80870	Fuel lift pump	1	
	600-00538	Fuel lift pump gasket	1	

Beta 43, 50 & 60 (non turbo) - From 2012 Port View

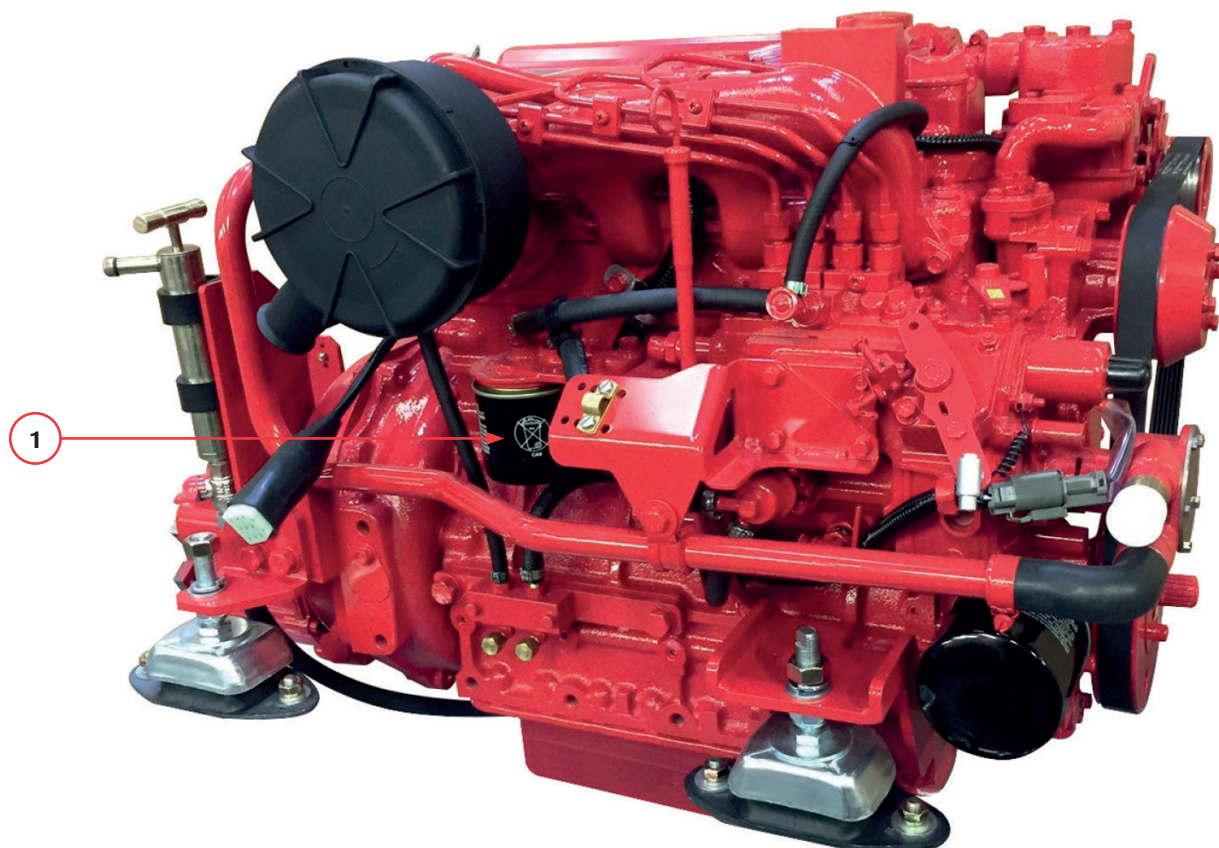


Ref.	Part No.	Description	Qty	Comments
1	209-80130	Pressure cap	1	
2	212-07273	Heat exchanger 'O' rings	2	3 Bolt end caps
3	209-61840	Sacrificial zinc anode	1	
4	212-09070	Exhaust gasket	1	Orange type - From May 2011
5	202-96260	70 Amp alternator arm	1	
6	209-94520	Fresh water pipe	1	
7	200-00959	40 Amp fuse blade	1	
8	200-05267	Standard engine harness	1	
9	AK/HE/CAL/KS10-38/01	Calorifier kit		
10	600-07408	Starter motor	1	Beta 43 (BV2003)
	600-00540			Beta 50 (BV2203)
	600-07064			Beta 60 (BV2403)
11	202-90610	Standard water injection bend	1	50mm diameter
12	212-99241/01	Saddle clamp fitting kit	1	
13	212-07665	Clevis connector	1	For mechanical gearboxes morse control cables
	212-99240/01	Ball joint z/p steel cable connector		For hydraulic gearboxes morse control cables
14	213-96970/01	Large 55 shore metalastic type	4	
15	210-80061	Sump drain pump	1	
16	212-00793	Sump drain pump clamp	2	

Heat Exchanger Cooled

IPL

Beta 43, 50 & 60 (non turbo) - From 2012 Starboard View

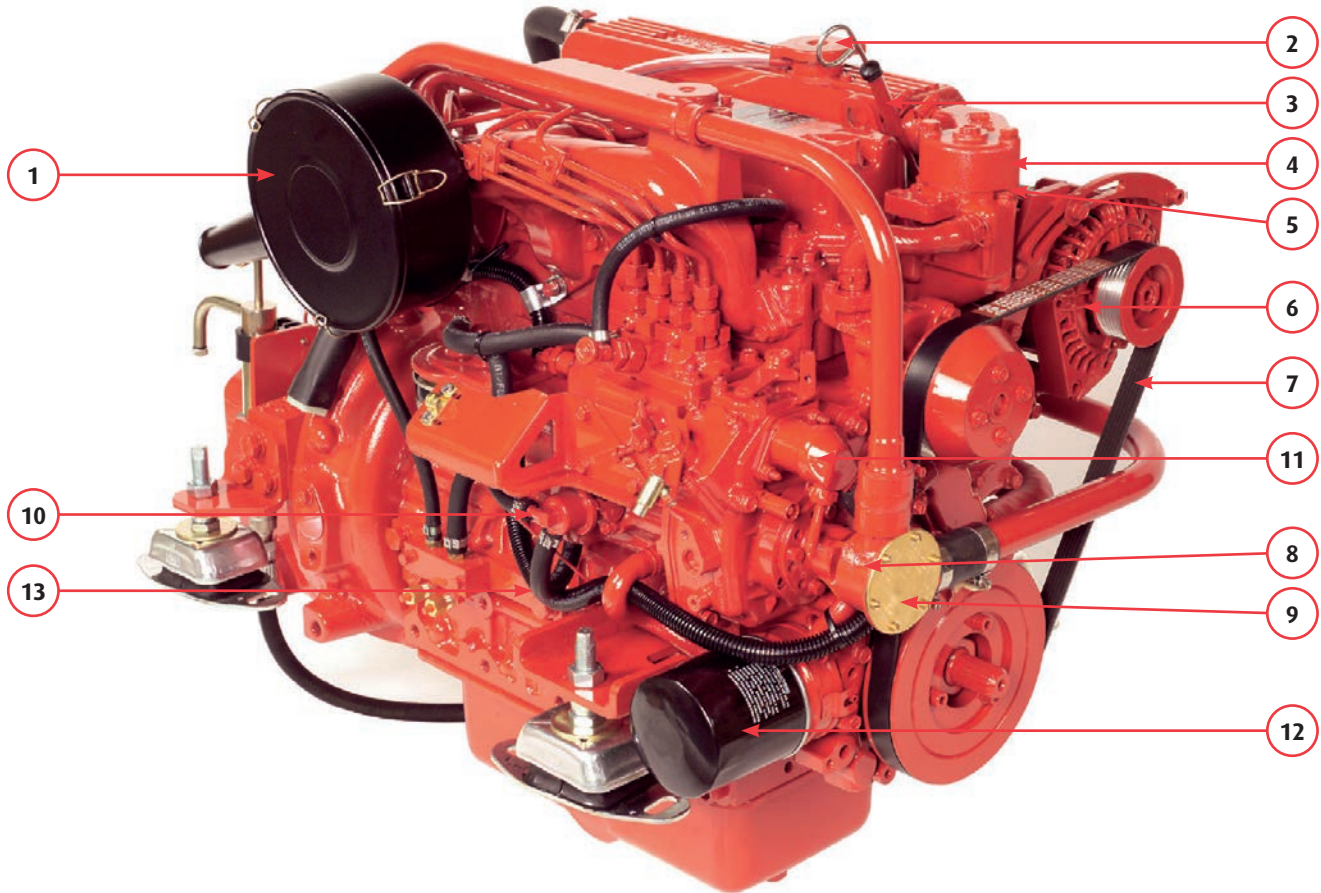


Ref.	Part No.	Description	Qty	Comments
1	211-60210	Fuel filter	1	

Gearbox Option	Gearbox Part No.	Drive Plate Part No.	Morse Gear Bracket Part No.	Adaptor Plate Part No.	Flexible Coupling Part No.
TMC60 R2	204-91680	206-91950	202-05129	205-60990	212-01430
TMC60 R2.5	204-01627				
TMC60 R3	204-01192				
TMC60A R2	204-07724				
TMC60A R2.5	204-07928				
TMC260 R2	204-02134	206-02094/01	202-61582	N/A	212-01248
TMC260 R2.5	204-03336				
TMC260 R3	204-05312				
TM345A R2	204-03053				
ZF15MIV R2.13:1	204-00767	206-00895	202-61582	205-60990	Contact Beta Marine
ZF25M R2	204-91660	206-09637			
ZF25H R2	204-98890	206-05185	202-05406	205-85810	212-01430
ZF25H R2.8	204-01191				
ZF 25HA R2	204-00743				
ZF25HA R2.29	204-02880				
ZF25HA R2.71	204-01148				
PRM150 D2	204-91920	206-07584	202-94100	205-60990	
PRM150 D3	204-91700				
PRM280 D2	204-10398	206-02095	202-80560	205-72820	212-01248
PRM280 D3	204-10436				
PRM500 D2.5	254-94834				

BETA MARINE

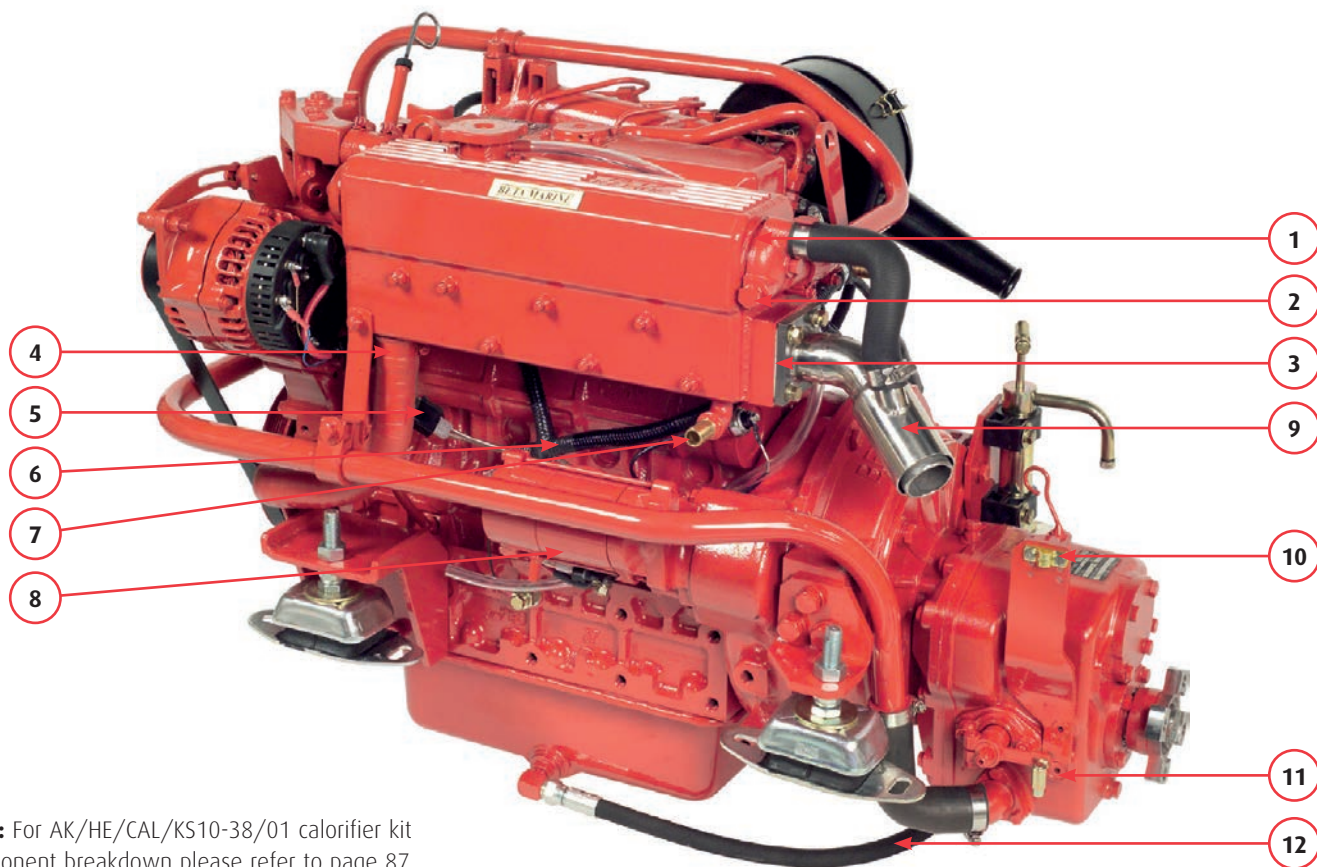
Beta 43, 50 & 60 (non turbo) - From 2012 Front View



Ref.	Part No.	Description	Qty	Comments
1	211-08133	Air filter element	1	From January 2011
	211-61831			To December 2010
2	209-80130	Pressure cap	1	
	600-96320	Extended dipstick	1	
3	600-96320/01	Extended dipstick guide		
4	600-72450	Thermostat	1	
5	600-80490	Thermostat gasket		
6	200-01155	65 Amp alternator	1	Standard
	200-03008	100 Amp alternator		Optional
7	200-01196	65 Amp alternator sub loom	1	Not shown
	214-80750	65 Amp alternator V belt	1	From April 2011
	214-07037	100 Amp alternator 6PK Polyvee belt		From October 2009
8	207-07415	Sea water pump	1	Johnson - From September 2009 to June 2013
	207-80780			Jabsco - To September 2009
9	207-09042-KIT	Impeller kit	1	Johnson - From September 2009 to June 2013
	207-80800			Jabsco - To September 2009
10	600-80870	Fuel lift pump	1	Beta 43
	600-80870			Beta 50 - From July 2007
	600-00633			Beta 50 - To July 2007
	600-80870			Beta 60
11	600-02244	Fuel solenoid, front mounted energised to stop	1	Beta 43 - From September 2008, Beta 50 - From July 2008, Beta 60 - From November 2009
	600-06964	Fuel solenoid, front mounted energised to run	1	Beta 50 - From July 2007 to July 2008, Beta 60 - From July 2007 to November 2009
	600-71670	Fuel solenoid, side mounted energised to stop	1	Beta 43 - To September 2008, Beta 50 & 60 - To July 2007
	600-07330	Solenoid plug kit	1	For 600-02244
	600-11047	Solenoid 'O' ring	1	
12	211-70510/02	Oil filter	1	
13	600-00621	Water drain tap	1	Beta 43 & 50 only

Heat Exchanger Cooled

IPL Beta 43, 50 & 60 (non turbo) - To 2012 Starboard View



Note: For AK/HE/CAL/KS10-38/01 calorifier kit component breakdown please refer to page 87

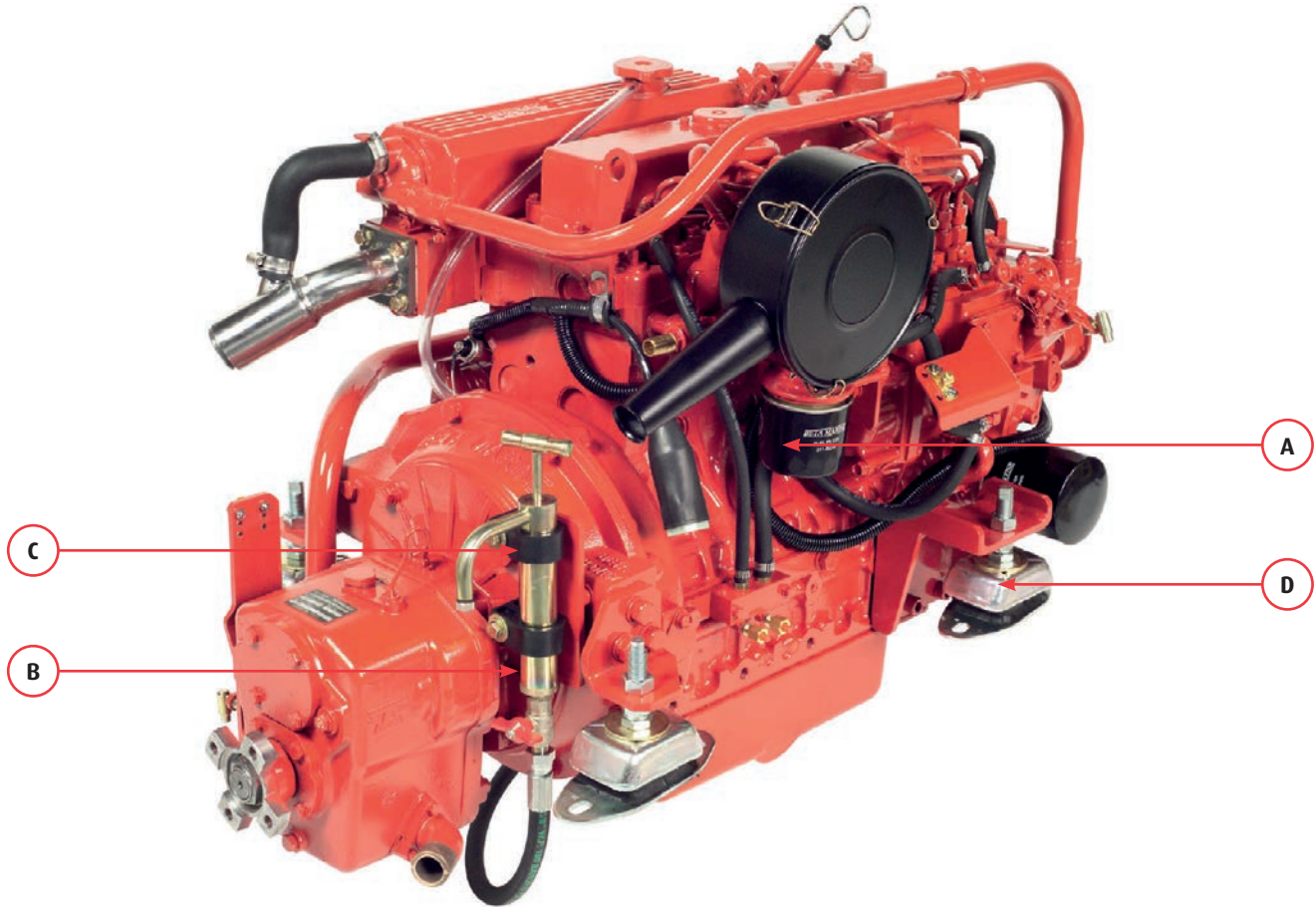
Ref.	Part No.	Description	Qty	Comments
1	209-80110	Heat exchanger 'O' rings	2	Single bolt end caps
	212-07273			3 Bolt end caps
2	209-61840	Sacrificial zinc anode	1	
3	212-09070	Exhaust gasket	1	Orange type - From May 2011
4	209-94520	Fresh water pipe	1	
5	200-00959	40 Amp fuse blade	1	
6	200-05267	Standard engine harness	1	
7	AK/HE/CAL/KS10-38/01	Calorifier kit	1	
8	600-00540	Starter motor	1	Beta 43 (BV1903)
	600-07408			Beta 43 (BV2003)
	600-00540			Beta 50 (BV2203)
	600-07064			Beta 60 (BV2403) & Beta 62T (BV2403T)
9	202-90610	Standard water injection bend	1	50mm diameter
10	212-99241/01	Saddle clamp fitting kit	1	
11	212-07665	Clevis connector	1	For mechanical gearboxes morse control cables, not shown
	212-99240/01	Ball joint z/p steel cable connector		For hydraulic gearboxes morse control cables
12	210-94200	Sump drain pump hose	1	Standard sump
	210-94190			Shallow sump

Ref.	Part No.	Description	Qty	Comments
A	211-60210	Fuel filter	1	
B	210-80061	Sump drain pump	1	
C	212-00793	Sump drain pump clamp	2	
D	213-85900/02	45 shore flexible mounts	4	Beta 43 - Not with PRM260*
	213-96970/01	55 shore flexible mounts		Beta 43 with PRM260, Beta 50 & 60

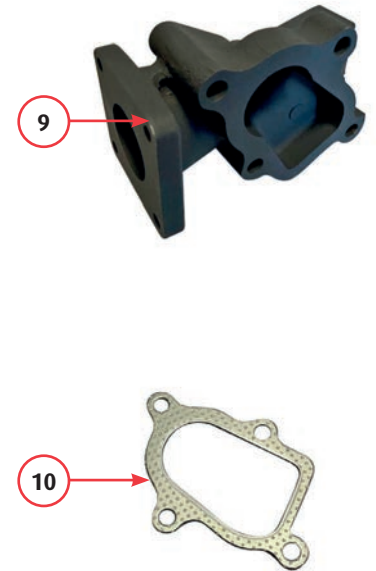
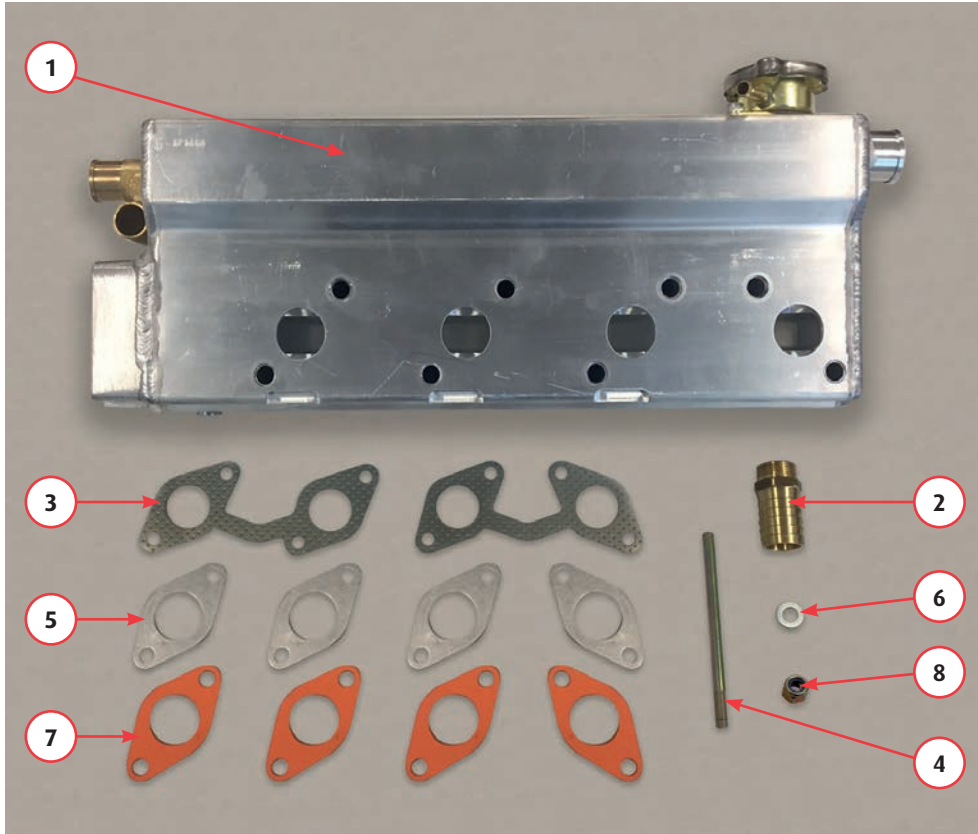
*Since 2012 Beta 43 engines are now fitted with type 55 flexible mounts which are highly recommend when replacement type 45 are required. Always replace as a set of 4.

BETA MARINE

Beta 43, 50 & 60 (non turbo) - To 2012 Rear View

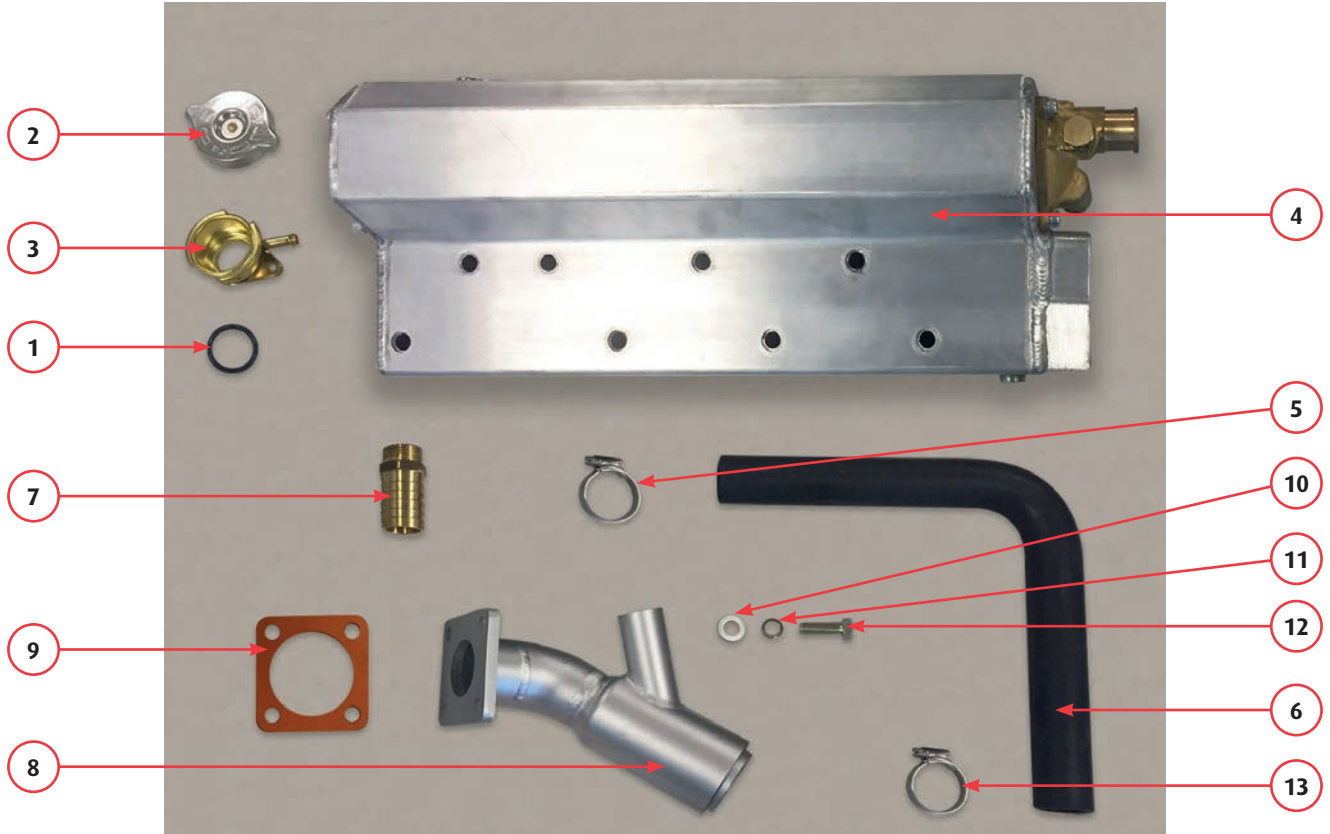


Gearbox Option	Gearbox Part No.	Drive Plate Part No.	Morse Gear Bracket Part No.	Adaptor Plate Part No.	Flexible Coupling Part No.
TMC60 R2	204-91680	206-91950	202-05129	205-60990	212-01430
TMC60 R2.5	204-01627				
TMC60 R3	204-01192				
TMC60A R2	204-07724				
TMC60A R2.5	204-07928				
TMC260 R2	204-02134	206-02094/01	202-61582	N/A	212-01248
TMC260 R2.5	204-03336				
TMC260 R3	204-05312				
TM345A R2	204-03053				
ZF12M R2	204-85860	206-00895	202-05406	205-85810	212-01430
ZF15M R2	204-85870	206-91950			
ZF15MA R2	204-85875	206-00895			
ZF15MIV R2.13:1	204-00767	206-09637			
ZF25M R2	204-91660	206-05185	202-94100	205-60990	Contact Beta Marine
ZF25H R2	204-98890				
ZF25H R2.8	204-01191				
ZF25HA R2	204-00743				
ZF25HA R2.29	204-02880				
ZF25HA R2.71	204-01148				
PRM150 D2	204-91920	206-07584	202-80560	205-60990	212-01248
PRM150 D3	204-91700				
PRM280 D2	204-10398	206-02095	202-80560	205-72820	212-01248
PRM280 D3	204-10436				
PRM500 D2.5	254-94834	206-04811		255-02598	212-02699

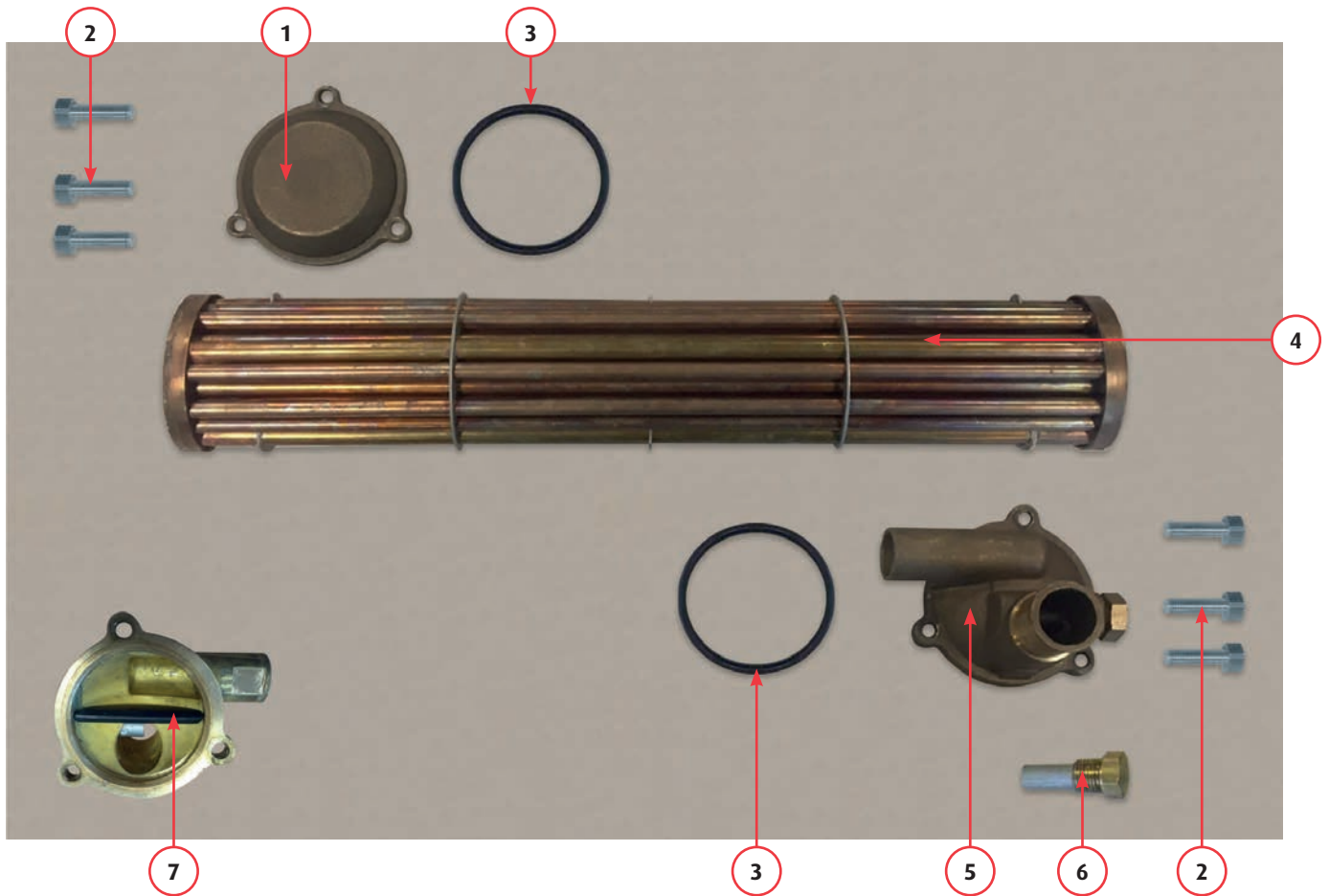


Ref.	Part No.	Description	Qty	Comments
1	AK/S3/4CYL/E01	4 Cyl 3 Bolt Eskimo Manifold Kit includes ref no 5 & 7	1	Beta 43, 50 & 60 - From 2011
	AK/S3T/4CYL/E01	4 Cyl 3 Bolt Eskimo Manifold Kit includes ref no 5 & 7		Beta 62T - From 2021
2	212-02412	28mm x 3/4" BSP hose tail connector	1	To 2020
3	600-07197	Exhaust manifold gasket	1	Part 1 of 2
	600-07198	Exhaust manifold gasket	1	Part 2 of 2
4	201-71380/01	Super 3 manifold stud	8	
5	202-08618	Exhaust manifold spacer	4	
6	217-99293	M8 flat washer	8	
7	212-08629	Exhaust spacer gasket	4	
8	217-99296	M8 Nyloc nut	8	
9	600-21876	Manifold to turbo exhaust muffler flange	1	Beta 62T
10	600-10172	Manifold to turbo exhaust muffler flange gasket	1	Beta 62T

Beta 43, 50 & 60 (non turbo), Beta 62T (T - turbocharged) 3 Bolt Heat Exchanger Manifolds - From 2011

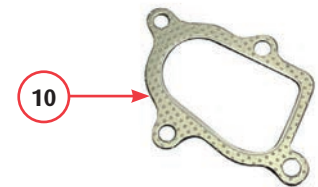
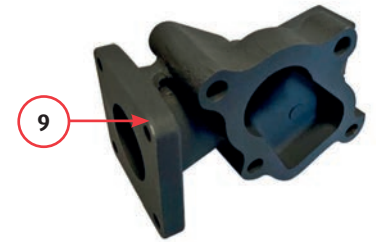
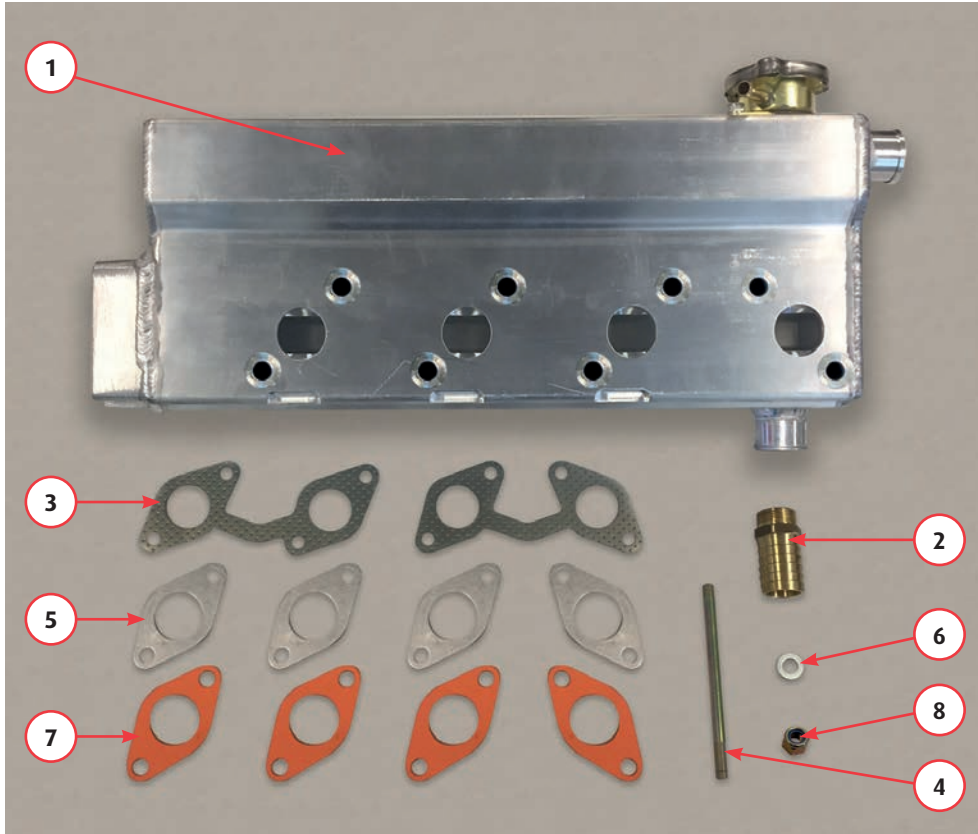


Ref.	Part No.	Description	Qty	Comments
1	209-02167/01	Filler neck 'O' ring	1	
2	209-80130	Twin seal pressure cap	1	
3	209-08352	Filler neck assembly	1	
4	AK/S3/4CYL/E01	4 Cyl 3 Bolt Eskimo Manifold Kit includes ref no 1, 2, 3 & 9	1	Beta 43, 50 & 60 - From 2011
	AK/S3T/4CYL/E01	4 Cyl 3 Bolt Eskimo Manifold Kit includes ref no 1, 2, 3 & 9		Beta 62T - From 2021
5	212-98464	Stainless steel hose clip 22-30mm	1	
6	209-05125/01	25mm ID rubber elbow	1	From June 2013
	209-91760	22mm ID rubber elbow		To June 2013
7	212-02412	28mm x 3/4" BSP hose tail connector	1	To 2020
8	202-90610	2" OD Stainless steel water injection exhaust bend	1	Suits 25mm water hose - From June 2013 NOT Beta 62T
	202-22572	60mm OD stainless steel water injection bend		Beta 62T only
9	212-09070	2" Exhaust gasket	1	Orange type - From May 2011 NOT Beta 62T
	600-09731	Exhaust gasket		Beta 62T only
10	217-99293	M8 flat washer	4	
11	217-99292	M8 spring washer	4	
12	217-99299	M8 x 25mm set bolt	4	
13	212-98464	Stainless steel hose clip 22-30mm	1	

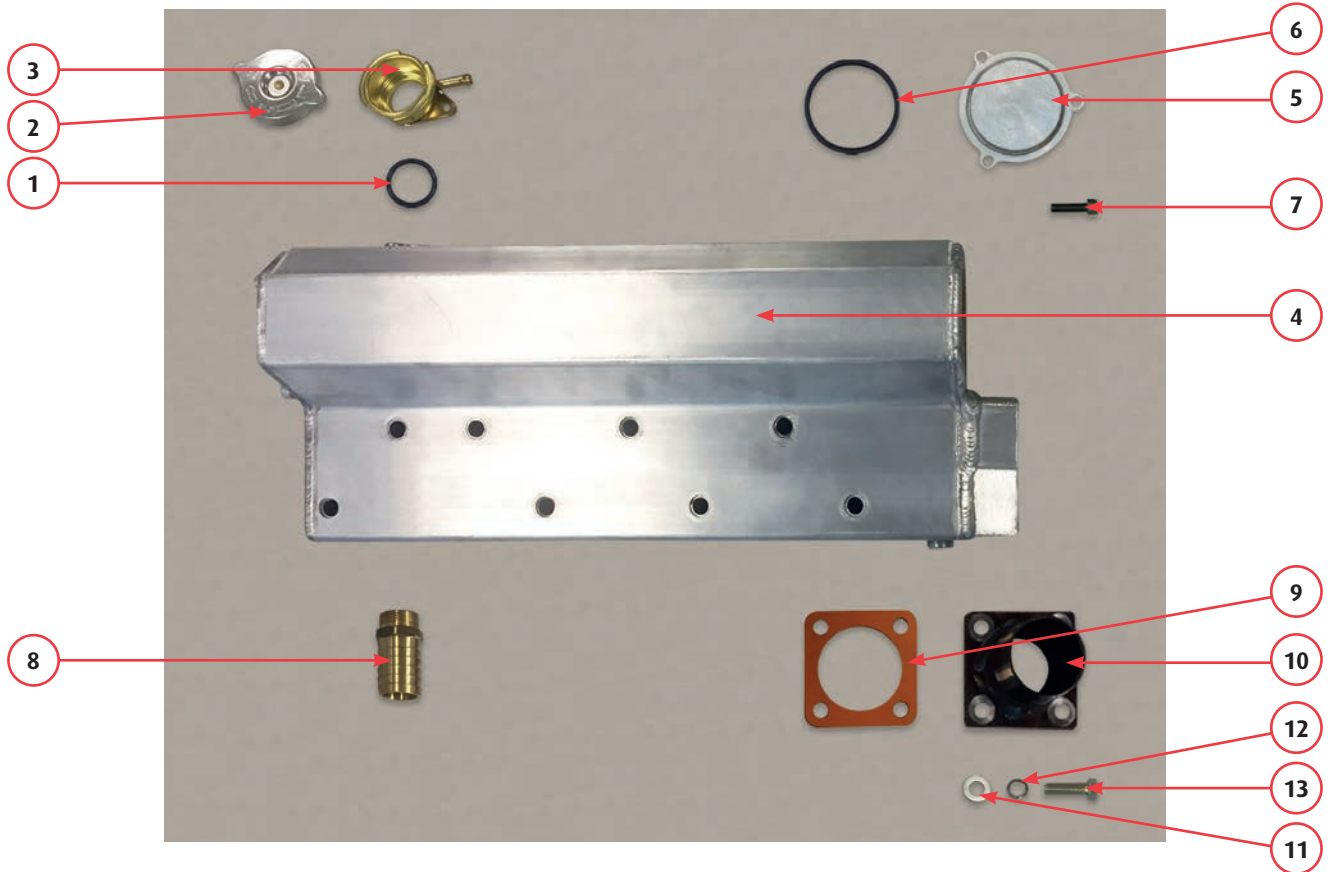


Ref.	Part No.	Description	Qty	Comments
1	208-07272	3 Bolt return end cap	1	From 2011
2	217-00190Z	3 Bolt end cap bolt	6	From 2011 - 3 for each end cap
3	212-07273	3 Bolt end cap 'O' ring	2	From 2011
4	209-08543	3 Bolt end cap tubestack	1	From 2011
5	208-07271	3 Bolt 25mm open end cap	1	From 2011
6	209-61840	Sacrificial zinc anode	1	From 2011
7	212-08730/55	Seal, 55mm OAL to suit ref no 5, 3 bolt 25mm open end cap	1	From 2011

Beta 43, 50 & 60 (non turbo), Beta 62T (T - turbocharged) 3 Bolt Keel Cooled Manifolds - From 2011

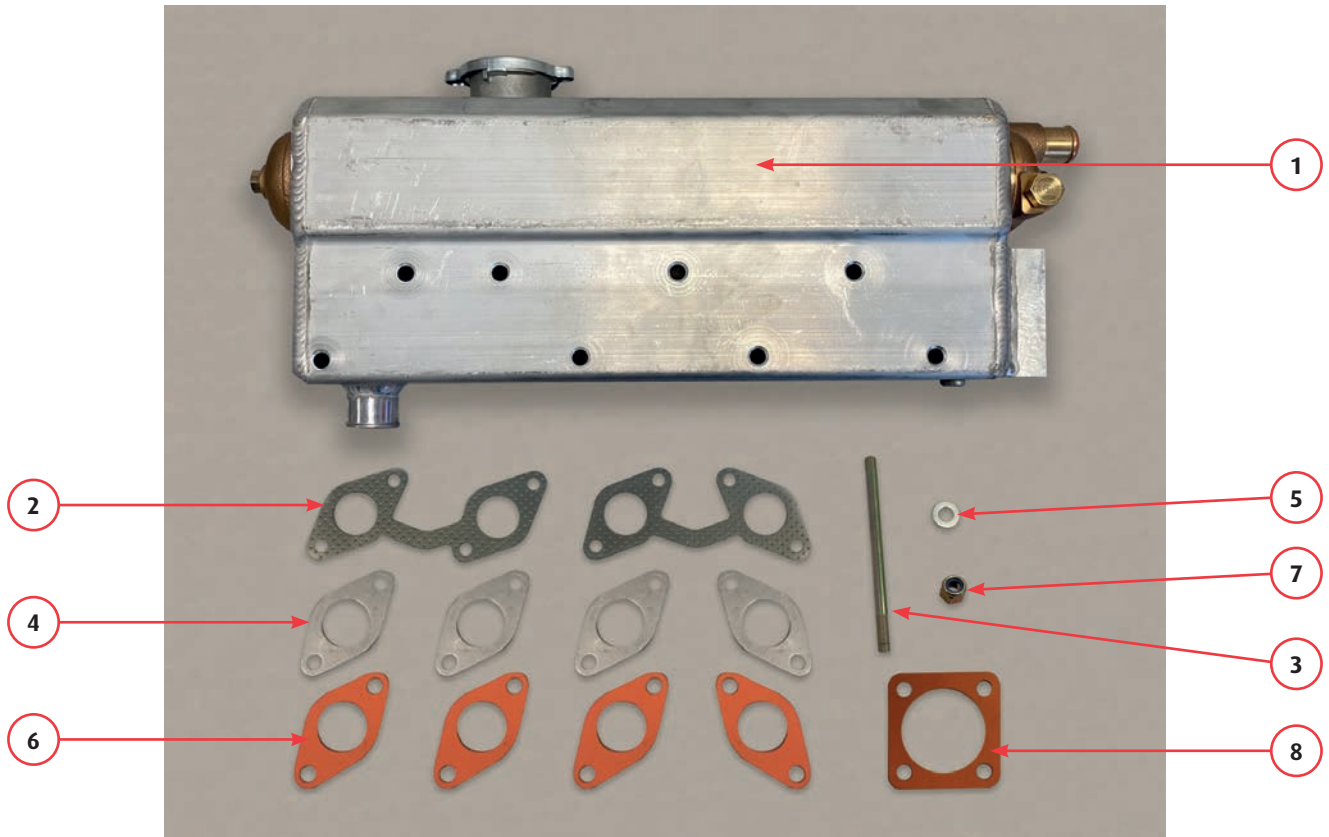


Ref.	Part No.	Description	Qty	Comments
1	AK/S3/4CYL/E01	4 Cyl 3 Bolt Eskimo Manifold Kit includes ref no 5 & 7	1	Beta 43, 50 & 60 - From 2011
	AK/S3T/4CYL/E01	4 Cyl 3 Bolt Eskimo Manifold Kit includes ref no 5 & 7		Beta 62T - From 2021
2	212-02412	28mm x 3/4" BSP hose tail connector	1	To 2020
3	600-07197	Exhaust manifold gasket	1	Part 1 of 2
	600-07198	Exhaust manifold gasket	1	Part 2 of 2
4	201-71380/01	Super 3 manifold stud	8	
5	202-08618	Exhaust manifold spacer	4	
6	217-99293	M8 flat washer	8	
7	212-08629	Exhaust spacer gasket	4	
8	217-99296	M8 Nyloc nut	8	
9	600-21876	Manifold to turbo exhaust muffler flange	1	Beta 62T
10	600-10172	Manifold to turbo exhaust muffler flange gasket	1	Beta 62T

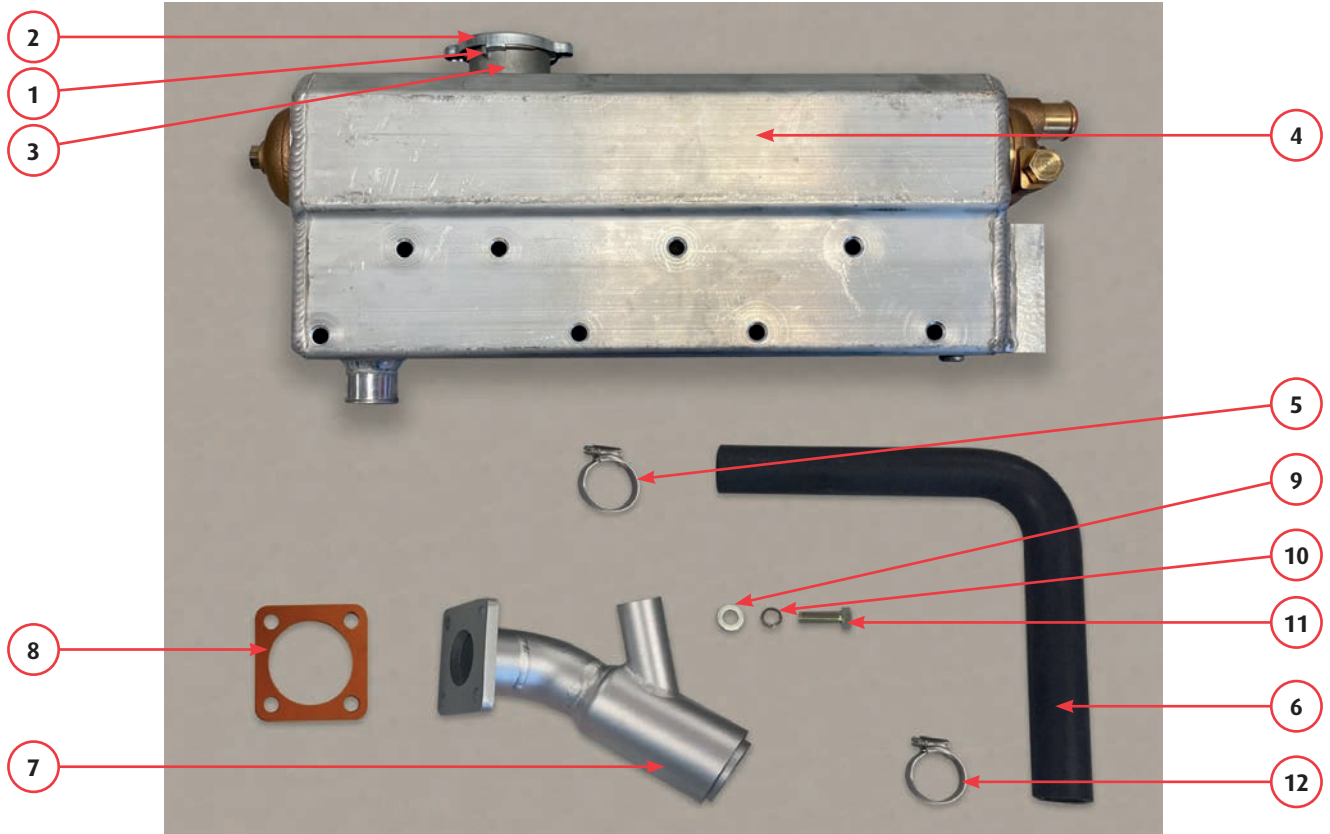


Ref.	Part No.	Description	Qty	Comments
1	209-02167/01	Filler neck 'O' ring	1	From 2011
2	209-80130	Twin seal pressure cap	1	From 2011
3	209-08352	Filler neck assembly	1	From 2011
4	AK/S3/4CYLKS/E01	4 Cyl 3 Bolt Eskimo Manifold Kit includes ref no 1, 2, 3, 5, 6, 7 & 9	1	Beta 43, 50 & 60 - From 2011
	AK/S3T/4CYLKS/E01	4 Cyl 3 Bolt Eskimo Manifold Kit includes ref no 1, 2, 3, 5, 6, 7 & 9		Beta 62T - From 2021
5	202-08429	3 Bolt keel cooled end cap	1	From 2011
6	212-10468	3 Bolt keel cooled end cap 'O' ring	1	From 2011
7	217-00190Z	3 Bolt end cap bolt	3	From 2011
8	212-02412	28mm x 3/4" BSP hose tail connector	1	To 2020
9	212-09070	2" Exhaust gasket	1	Orange type - From May 2011 NOT Beta 62T
	600-09731	Exhaust gasket		Beta 62T only
10	AK/MINIK/EX/1502	1 1/2" BSP Exhaust flange assembly	1	NOT Beta 62T
	AK/S3/EX/2401	1 1/2" BSP Exhaust flange assembly		Beta 62T only
11	217-99293	M8 flat washer	4	
12	217-99292	M8 spring washer	4	
13	217-99299	M8 x 25mm set bolt	4	

Beta 43, 50 & 60 (non turbo) Single Bolt Heat Exchanger Manifolds - To 2011

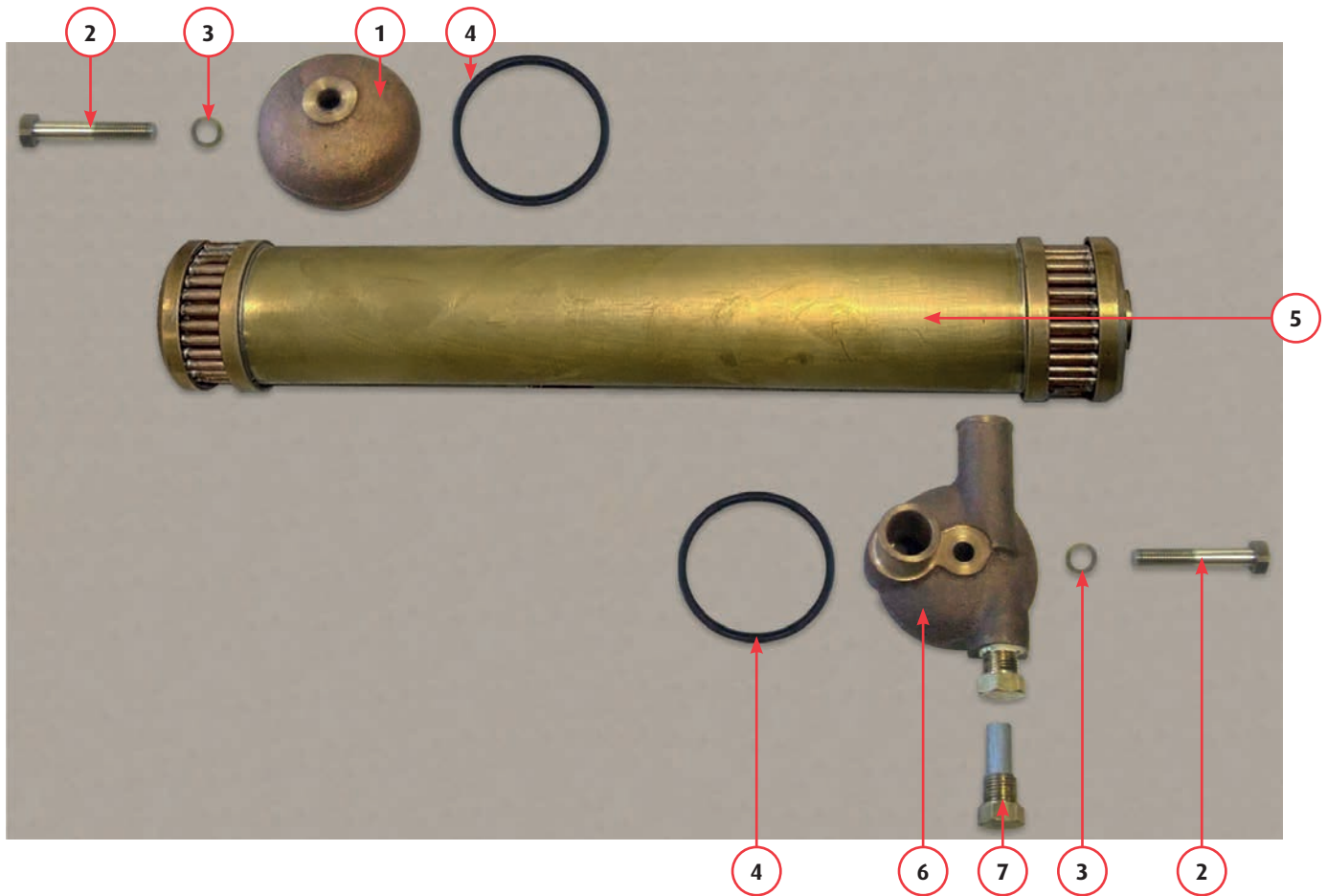


Ref.	Part No.	Description	Qty	Comments
1	209-01925	4 Cyl Single Bolt Thermex Manifold Kit includes ref no 4 & 6	1	Beta 43, 50 & 60 - To 2011 Assembly no longer available
2	600-07197	Exhaust manifold gasket	1	Part 1 of 2
	600-07198	Exhaust manifold gasket	1	Part 2 of 2
3	201-71380/01	Super 3 manifold stud	8	
4	202-08618	Exhaust manifold spacer	4	
5	217-99293	M8 flat washer	8	
6	212-08629	Exhaust spacer gasket	4	
7	217-99296	M8 Nyloc nut	8	
8	212-09070	2" Exhaust gasket	1	Orange type - From May 2011

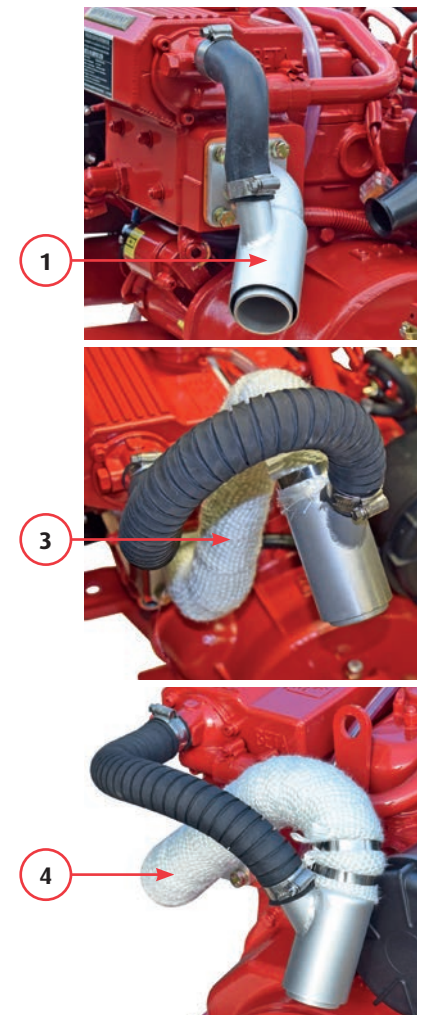
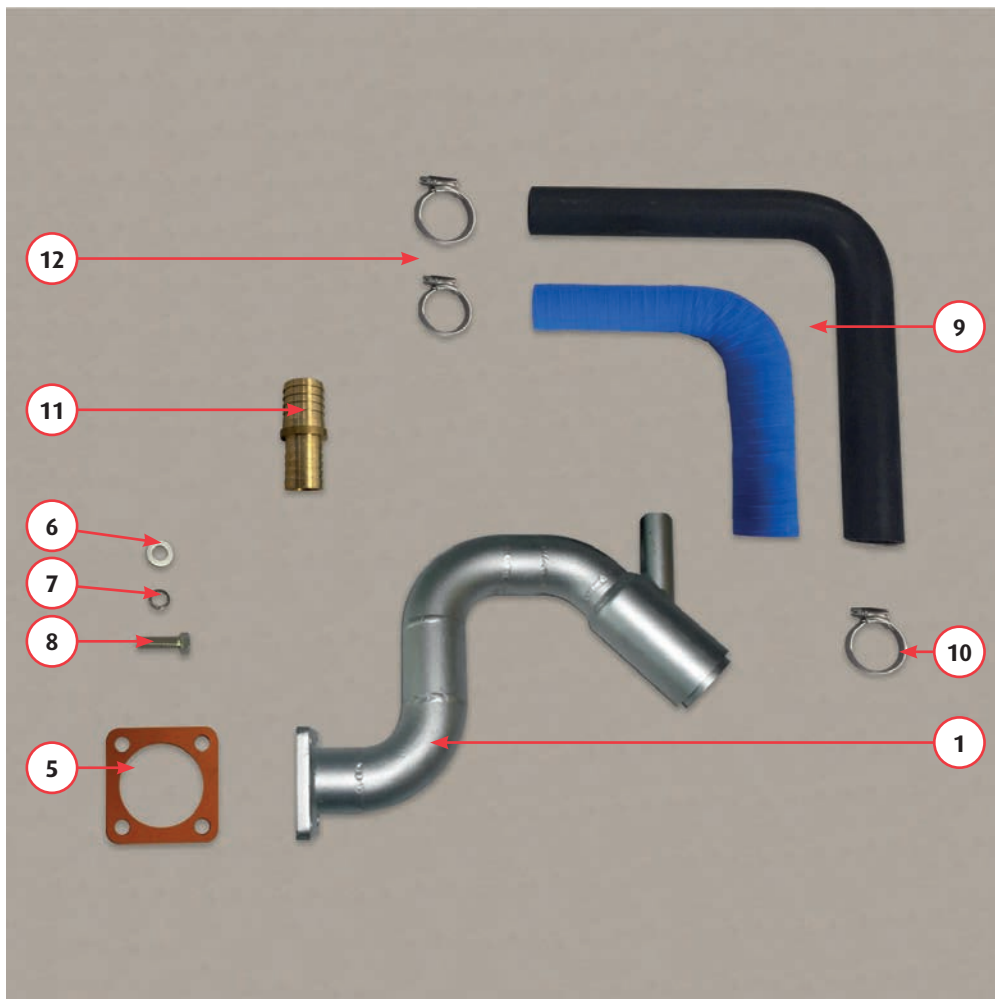


Ref.	Part No.	Description	Qty	Comments
1	209-02167/01	Filler neck 'O' ring	1	
2	209-80130	Twin seal pressure cap	1	
3	209-02167	Filler neck assembly	1	
4	209-01925	4 Cyl Single Bolt Thermex Manifold Kit	1	Beta 43, 50 & 60 - To 2011 Assembly no longer available
5	212-98464	Stainless steel hose clip 22-30mm	1	
6	209-91760	22mm ID rubber elbow	1	
7	202-90610	2" OD Stainless steel water injection exhaust bend	1	
8	212-09070	2" Exhaust gasket	1	Orange type - From May 2011
9	217-99293	M8 flat washer	4	
10	217-99292	M8 spring washer	4	
11	217-99299	M8 x 25mm set bolt	4	
12	212-98464	Stainless steel hose clip 22-30mm	1	

Beta 43, 50 & 60 (non turbo) Single Bolt Heat Exchanger Manifolds - To 2011

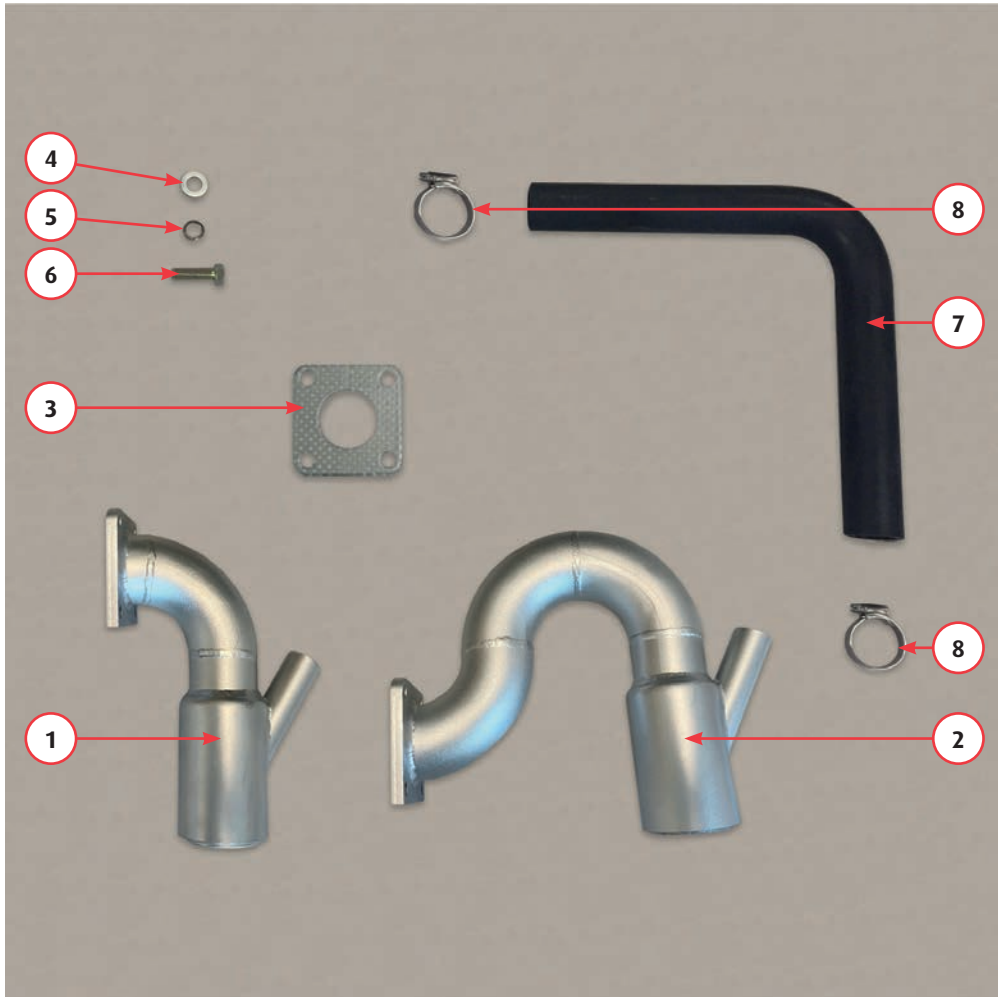


Ref.	Part No.	Description	Qty	Comments
1	209-80100/01	Single bolt return end cap	1	
2	209-00016	Single bolt end cap bolt	2	1 per end cap
3	209-00017	M8 End cap bonded seal	2	1 per end cap
4	209-80110	Single bolt end cap 'O' ring	2	
5	209-85840	Single bolt end cap tubestack	1	
6	209-80440	Single bolt 22mm open end cap	1	
7	209-61840	Sacrificial zinc anode	1	

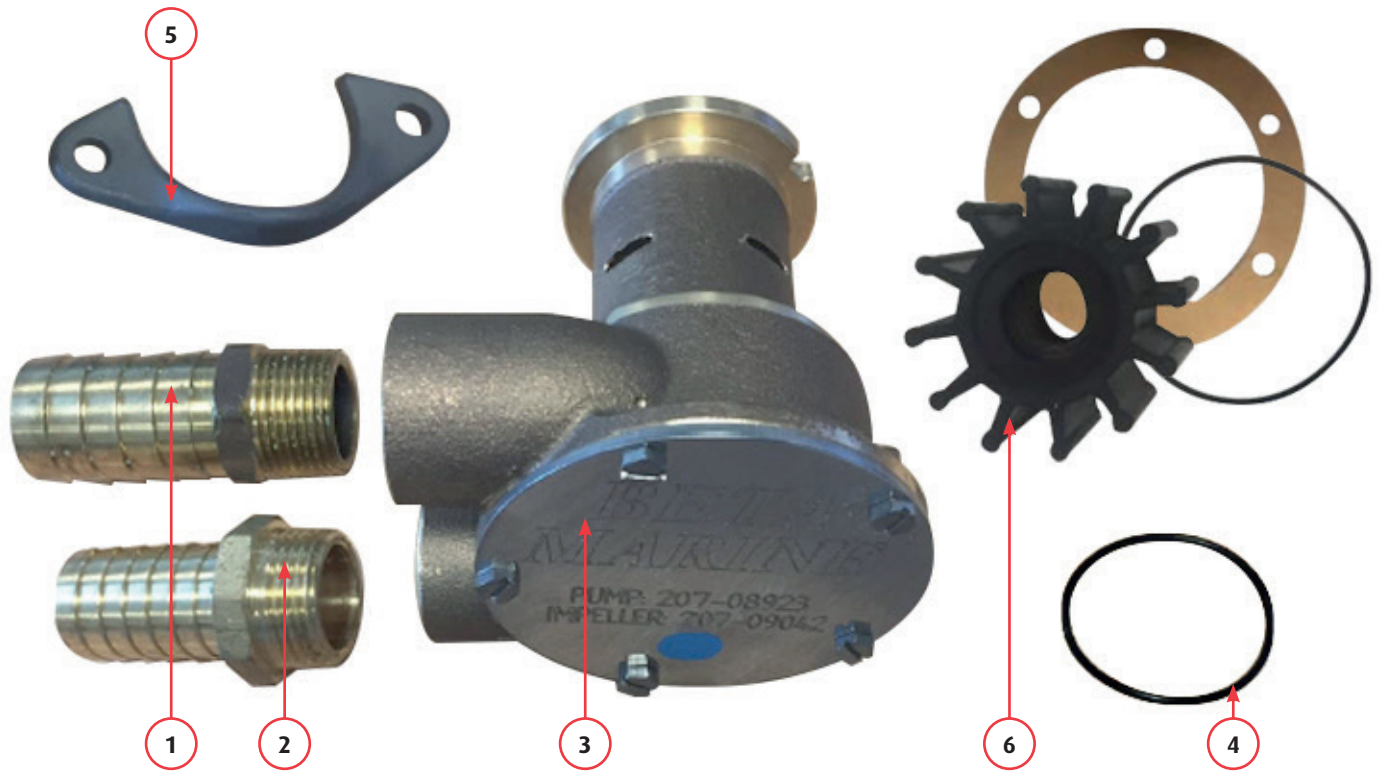


Ref.	Part No.	Description	Qty	Comments
1	202-90610	Stainless steel standard 50mm (2") OD x 25mm water injection bend	1	
2	202-92400/22	Stainless steel 150mm (6") High rise x 50mm (2") OD x 25mm water injection bend		
3	202-94330/22	Stainless steel 200mm (8") High rise x 50mm (2") OD x 25mm water injection bend		Cross over to starboard
4	202-06504	Stainless steel 140mm (5.5") High rise x 50mm (2") OD x 25mm water injection bend		Volvo cross over to starboard
5	212-09070	Exhaust gasket	1	Orange type - From May 2011
6	217-99293	M8 Flat washer	4	
7	217-99292	M8 Spring washer	4	
8	217-99299	M8 x 25mm Bolt set	4	
9	218-03471	Corrugated radiator hose 25mm ID - 0.43m OAL	1	To suit 25mm manifold - From 2013
	218-06368	Corrugated radiator hose 22mm ID - 0.43m OAL		To suit 22mm manifold - From 2009
	209-98232	16mm x 22mm ID Reducing elbow		To suit 16mm manifold - To 2009
10	212-98464	Stainless steel hose clip 22-30mm	1	
11	212-07575	Brass hose adaptor 22-25mm ID	1	To suit 22mm manifold - From 2009
12	212-98464	Stainless steel hose clip 22-30mm	1	To suit 22mm manifold - From 2009
	212-98462	Stainless steel hose clip 17-25mm		To suit 16mm manifold - To 2009
13	212-00234/01	Glass fibre exhaust lagging 3mm deep x 50mm wide	2m	
14	212-09630	Stainless steel tie 300mm OAL	2	

Beta 62T (T - turbocharged) Water Injection Bends

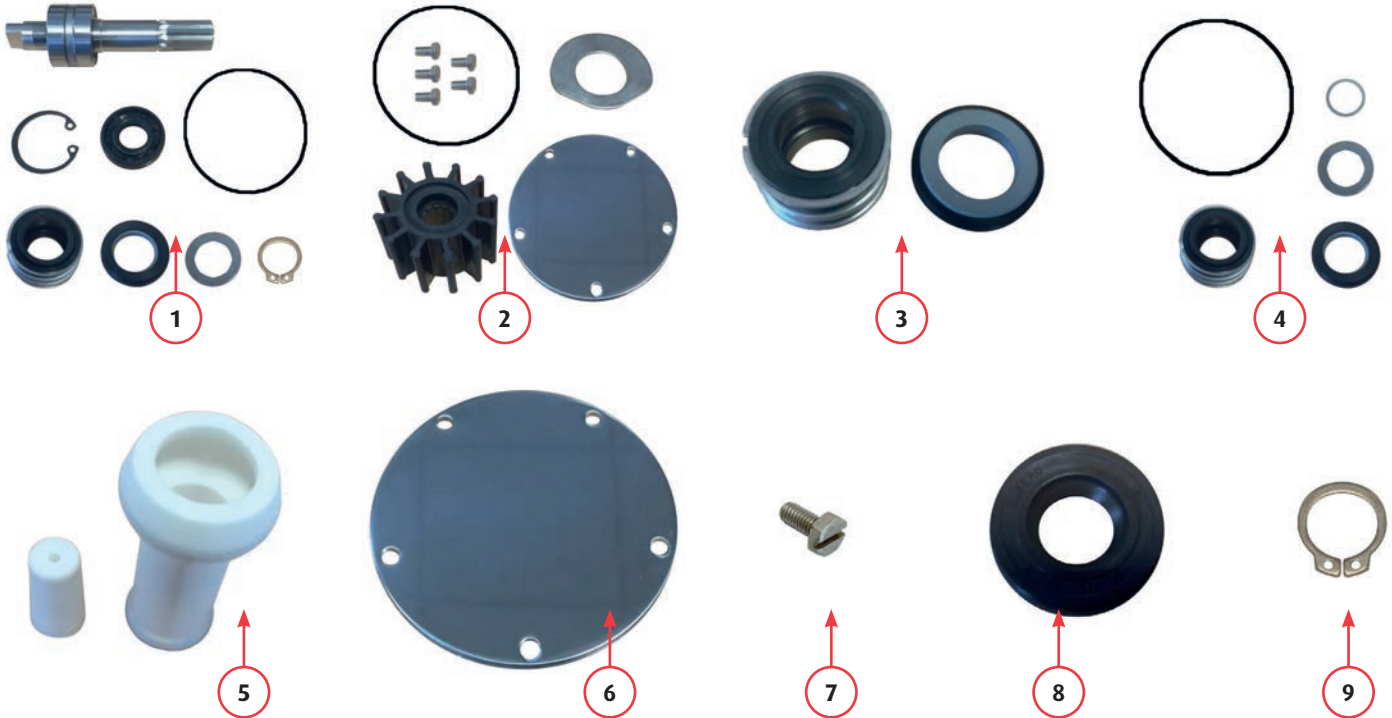


Ref.	Part No.	Description	Qty	Comments
1	202-10179	Stainless steel standard 60mm (2 3/8") OD x 25mm water injection bend	1	Beta 62T only
2	202-10931	Stainless steel 125mm (5") High rise x 60mm (2 3/8") OD x 25mm water injection bend		
3	212-09070	Exhaust gasket	1	
4	217-99293	M8 Flat washer	4	
5	217-99292	M8 Spring washer	4	
6	217-99299	M8 x 25mm set	4	
7	218-03471	Corrugated radiator hose 25mm ID - 0.43m OAL	1	
8	212-98464	Stainless steel hose clip 22-30mm	2	
9	212-00234/01	Glass fibre exhaust lagging 3mm deep x 50mm wide	2m	
10	212-09630	Stainless steel tie 300mm OAL	2	

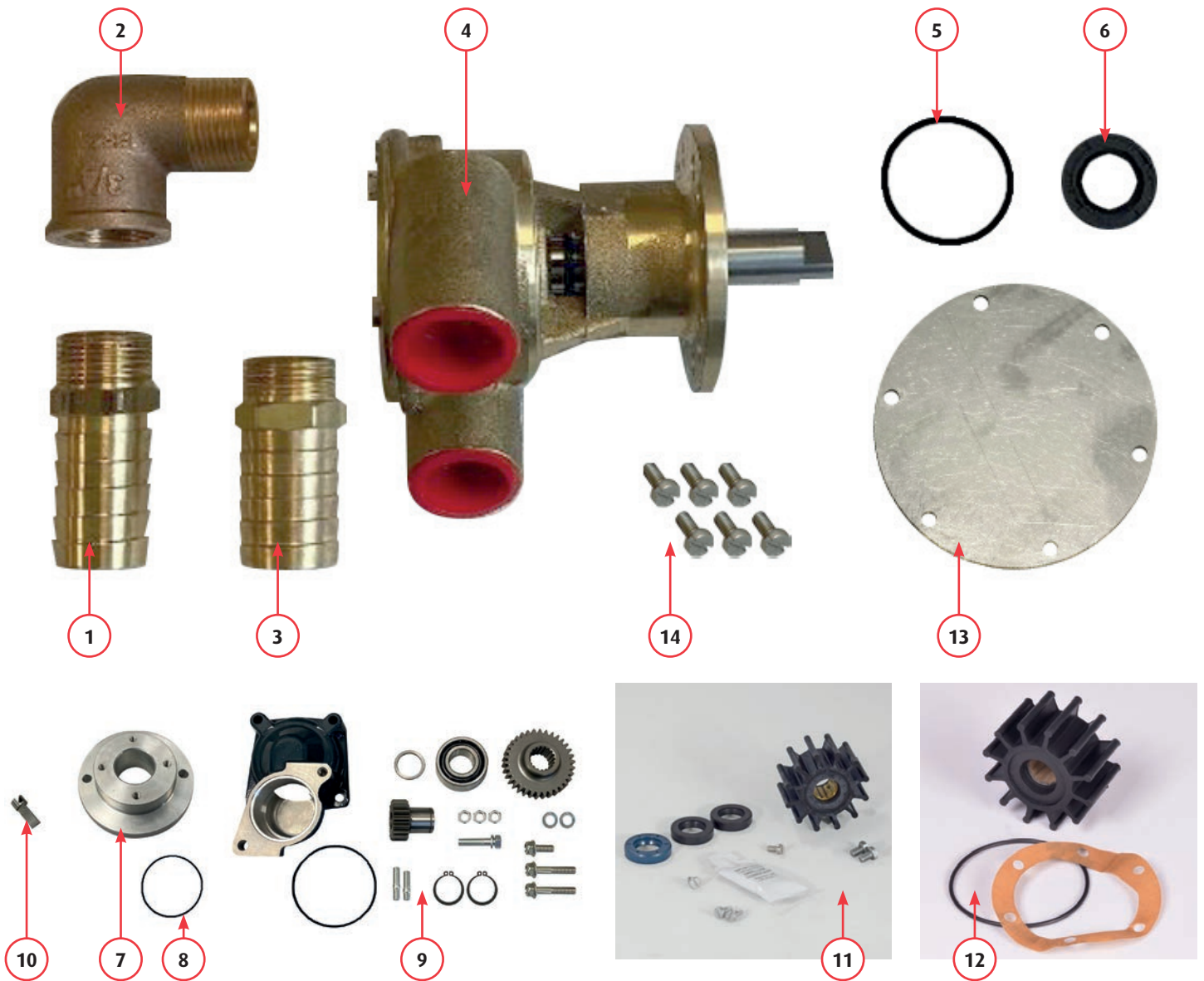


Ref.	Part No.	Description	Qty	Comments
1	212-99239	3/4" BSPM x 25mm hose connector	1	
2	212-06534	3/4" BSPM x 22mm hose connector	1	For TMC260 only, not shown
	212-02412	3/4" BSPM x 28mm hose connector		
3	207-10708	Beta Marine sea water pump - complete	1	From January 2017 & Blue spot pumps
	207-08923			From June 2013 to December 2016 - No Longer Available
4	209-10719	Sea water pump 'O' ring	1	Engine to pump
5	202-08924/02	Sea water pump clamp	1	
6	207-09042-KIT	Sea water pump impeller kit	1	From September 2009 includes impeller, gasket & end cover plate 'O' ring

Beta 43, 50 & 60 (non turbo) Sea Water Pump

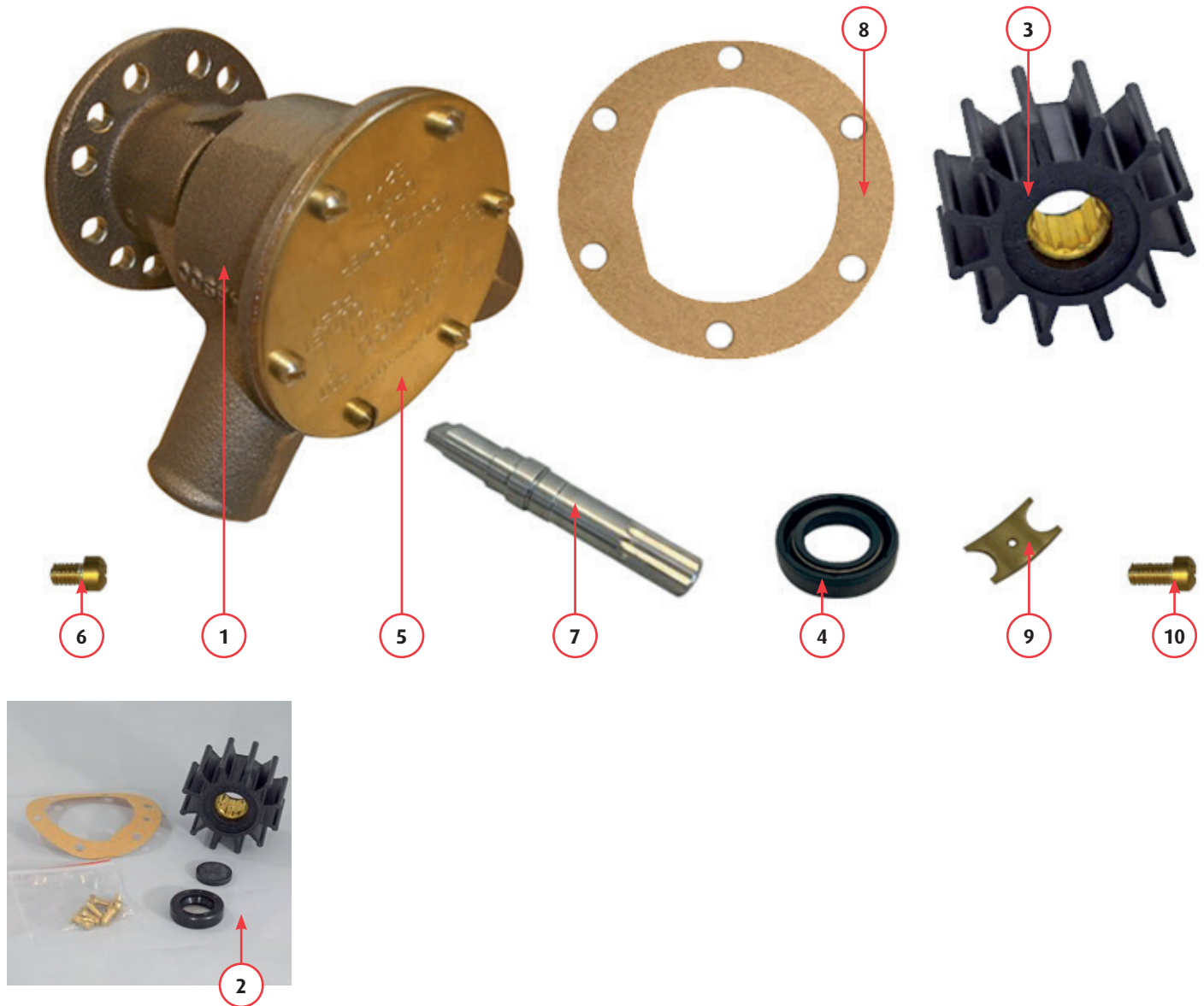


Ref.	Part No.	Description	Qty	Comments
1	207-10665	16mm Shaft Kit	1	To suit 207-10708 - From January 2017 & Blue spot pumps
	207-09231	15mm Shaft kit		To suit 207-08923 - From June 2013 to December 2016
2	207-09910	Wear kit	1	To suit sea water pumps 207-08923, 207-10708 & Blue spot pumps
3	207-10505	Mechanical seal	1	To suit sea water pumps 207-08923, 207-10708 & Blue spot pumps
4	207-21040	16mm Shaft seal kit	1	To suit 207-10708 - From January 2017 & Blue spot pumps
	207-09230	15mm Shaft seal kit		To suit 207-08923 - From June 2013 to December 2016
5	221-09652	Seal retaining ring fitting tool	1	To suit sea water pumps 207-08923, 207-10708 & Blue spot pumps
6	207-10664	Cover plate	1	To suit sea water pumps 207-08923, 207-10708 & Blue spot pumps
7	207-09483	Cover plate screw	5	
8	210-10646	Lip seal	1	To suit sea water pumps 207-08923, 207-10708 & Blue spot pumps
9	207-10506	Circlip	1	To suit sea water pumps 207-08923, 207-10708 & Blue spot pumps

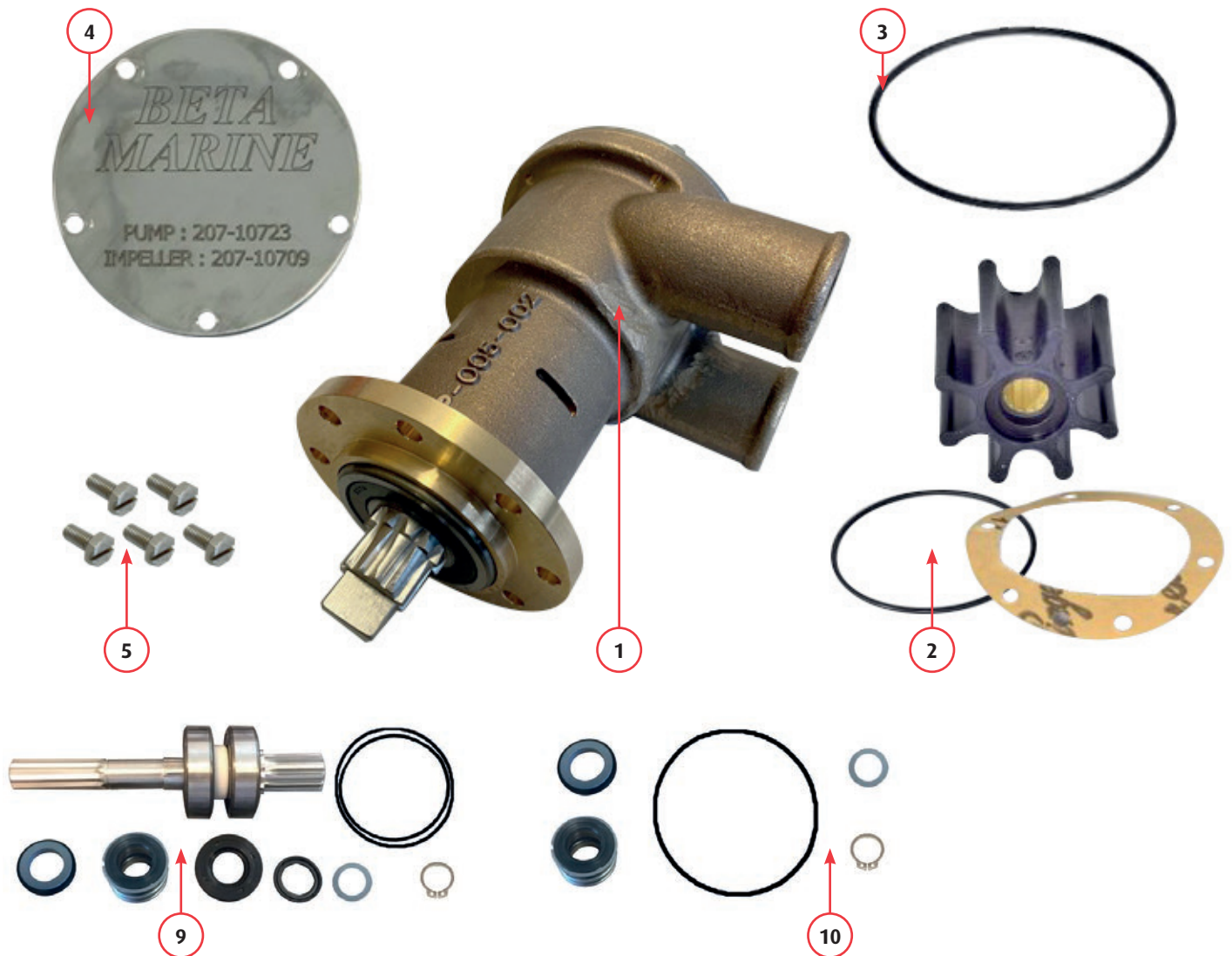


Ref.	Part No.	Description	Qty	Comments
1	212-02412	3/4" BSPP 28mm hose connector	1	
2	212-11067	3/4" BSP 90° M/F elbow	1	Not shown
	210-10191	3/4" BSP 45° M/F elbow		
3	212-02412	3/4" BSPP 28mm hose connector	1	
4	207-07415	Johnson sea water pump - complete	1	Beta 62T - From 2021 Beta 43, 50 & 60 Johnson side mounted - From September 2009 to June 2020. Side mounted - From June now use 207-10708 please refer to page 26
5	209-08266	Sea water pump to adaptor 'O' ring	1	
6	205-10019	Lip seal	1	29mm OD x 15mm ID
7	201-08918-B	Side mount pump housing	1	
8	212-07723	Adaptor to engine 'O' ring	1	
9	600-00105	Power take off kit	1	
10	201-08918-A	Side mount pump shaft	1	
11	207-02133	Sea water pump service kit	1	
12	207-09042-KIT	Impeller kit	1	
13	207-05478	Cover plate	1	
14	207-05479	Cover plate screw	6	

Beta 43, 50 & 60 (non turbo) Jabsco Sea Water Pump

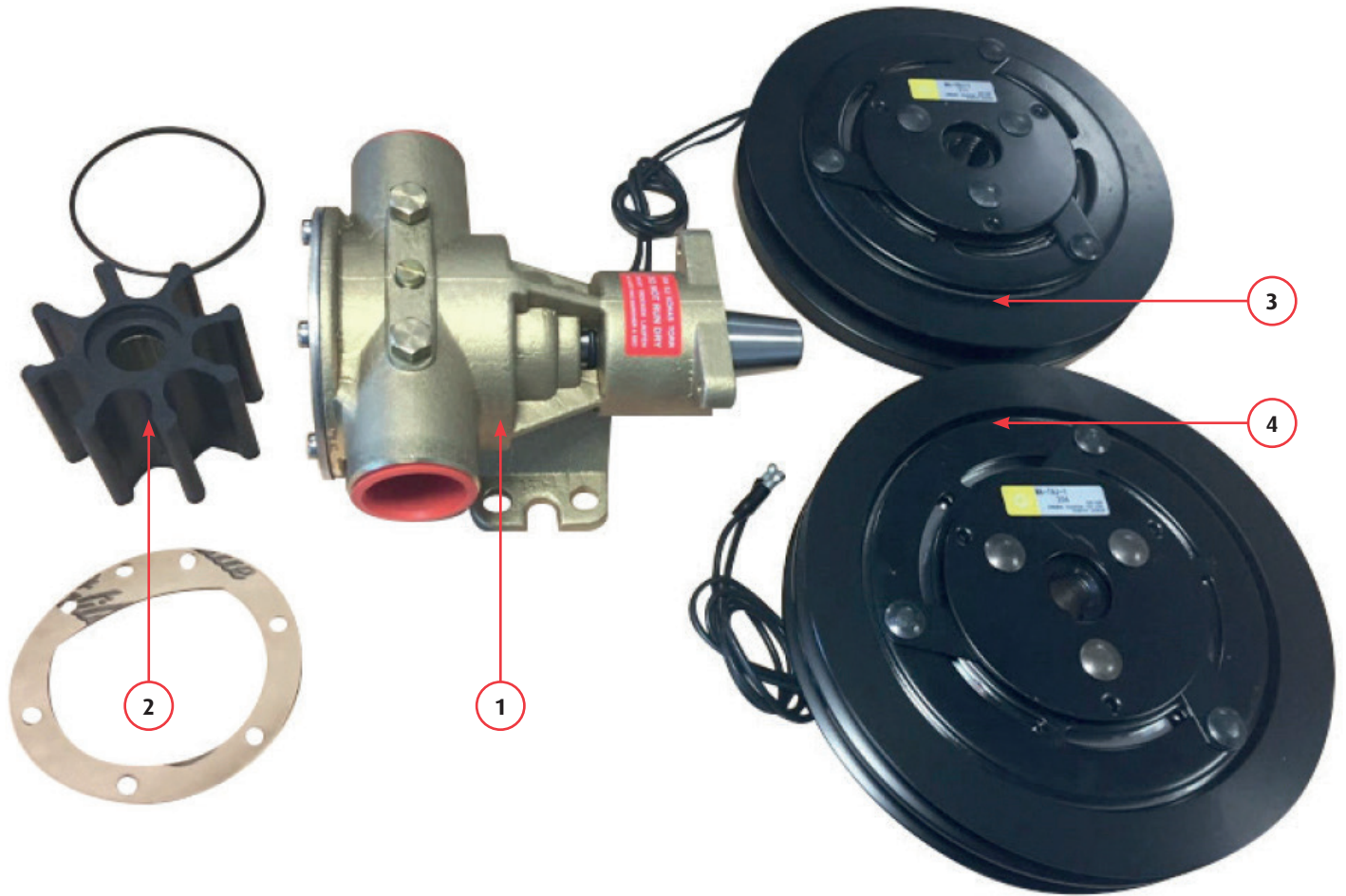


Ref.	Part No.	Description	Qty	Comments
1	207-80780	Jabsco sea water pump - complete	1	To September 2009
2	207-80810	Sea water pump service kit	1	Includes ref no 3, 4, 6 & 8
3	207-80800	Impeller	1	
4	207-06377	Lip seal	1	
5	207-00507	Cover plate	1	
6	207-00062	Cover plate screw	6	
7	207-80780/SHAFT	Sea water pump shaft	1	
8	207-62600/01	Cover plate gasket	1	
9	207-01250	Sea water pump cam	1	
10	207-01323	Sea water pump cam screw	1	

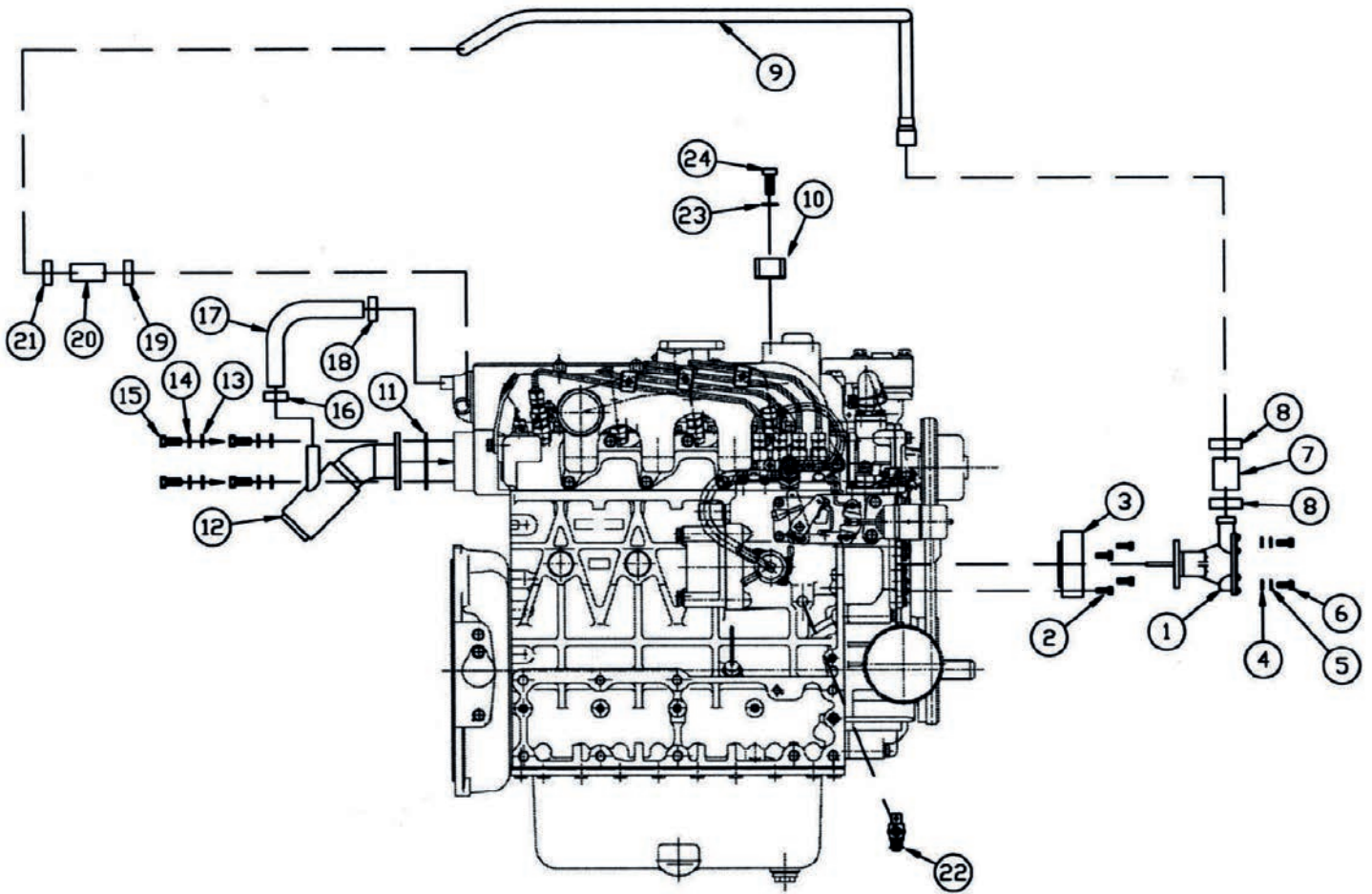


Ref.	Part No.	Description	Qty	Comments
1	207-22312	Beta Marine sea water pump - complete	1	From 2021
2	207-10709	Impeller kit	1	
3	210-23434	Sea water pump to adaptor 'O' ring	1	
4	207-10799	End cover plate	1	
5	207-09483	End cover plate screw	5	
6	207-10159	End cover plate 'O' ring	1	
7	207-10505	Mechanical Seal 16mm	1	
8	207-21032	Wear plate	1	
9	207-23993	Shaft kit	1	
10	207-10802	Seal kit	1	

Johnson 1" 12 Volt Clutched Pump

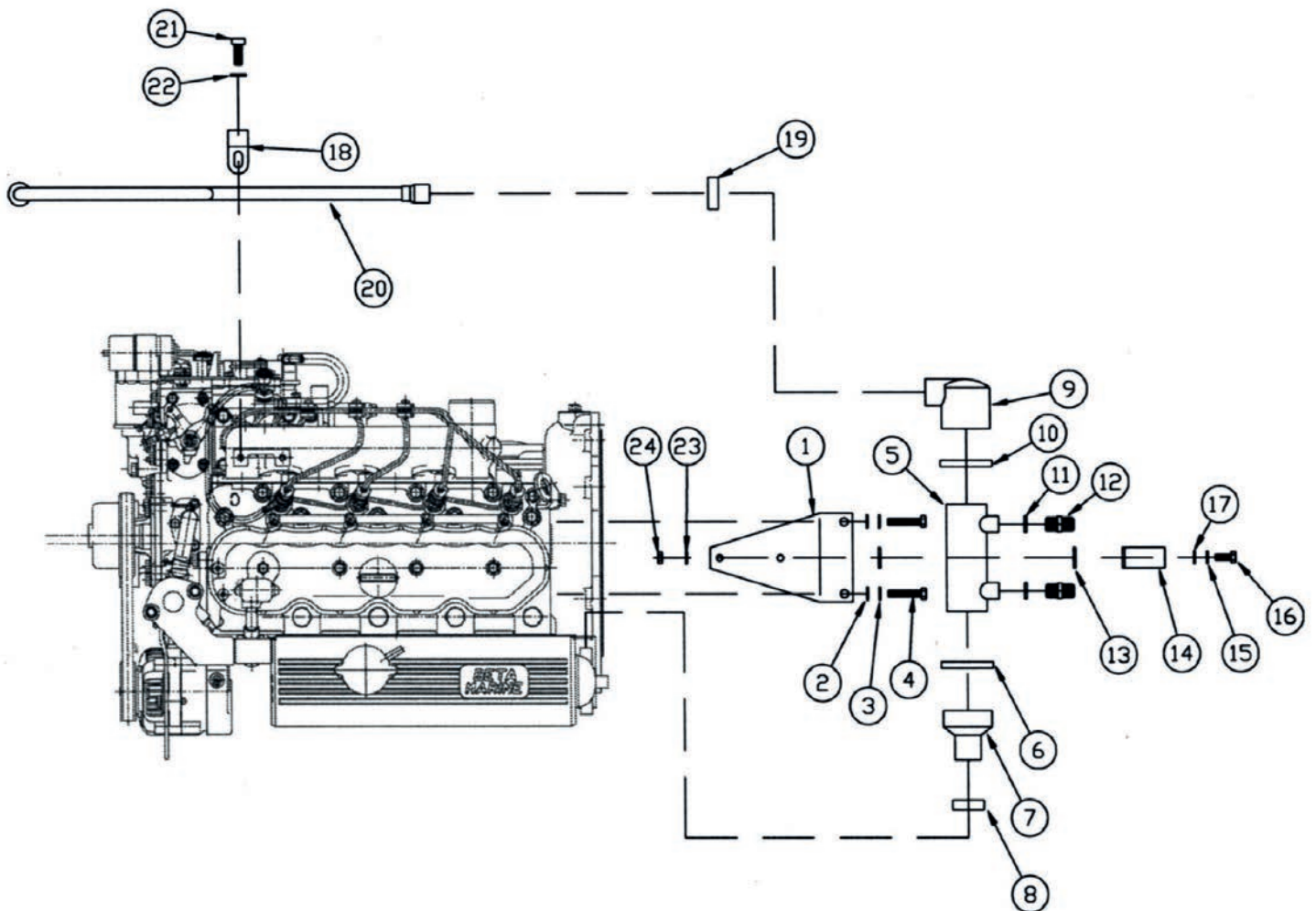


Ref.	Part No.	Description	Qty	Comments
1	207-07685	Sea water pump - complete	1	
2	207-10709	Impeller kit	1	
3	207-09856	Electro magnetic 12v clutch & 1 x SPB pulley	1	
4	207-07685/01	Electro magnetic 12v clutch & 2 x SPB pulley	1	



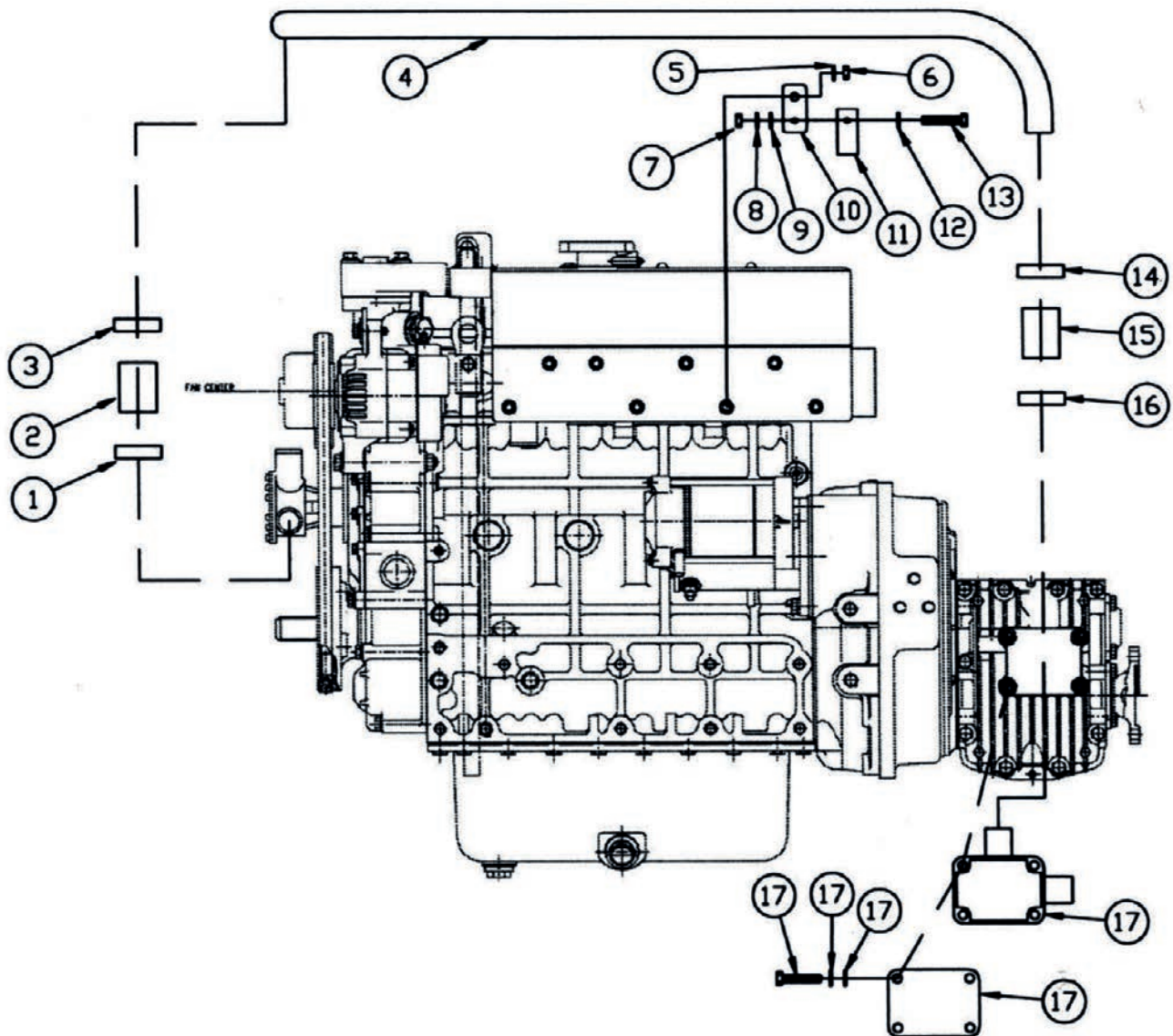
Beta 43, 50 & 60 (non turbo) Sea Water System For Mechanical Gearboxes

Ref.	Part No.	Description	Qty	Comments
1	207-10708	Beta Marine sea water pump	1	From June 2013
	207-07415	Johnson sea water pump		From September 2009 to June 2013
	207-80780	Jabsco sea water pump		To September 2009
2	217-99289	M6 x 20mm socket cap screw	4	
3	201-63120	Sea water pump adaptor plate	1	
	600-00866	Sea water pump adaptor plate gasket		
4	217-99276	M6 Flat washer	4	
5	217-99275	M6 Spring washer	4	
6	217-99281	M6 x 20mm set bolt	4	
7	218-99251	1 1/8" ID (19mm) water hose	0.06m	
8	212-00066	Stainless steel hose clip 30-40mm	2	
9	209-03203	Sea water cooling pipe	1	No oil cooler
10	212-02808	Sea water cooling pipe mounting clip	1	
11	212-09070	Exhaust gasket	1	Orange type - From May 2011
12	202-90610	50mm (2") OD water injection bend	1	
	202-92400/22	150mm (5") high rise x 50mm (2") OD water injection bend		Not shown
13	217-99293	M8 Flat washer	4	
14	217-99292	M8 Spring washer	4	
15	217-99299	M8 x 25mm Set bolt	4	
16	212-98464	Stainless steel hose clip 22-30mm	1	
17	209-91760	22mm Diameter 90° elbow	1	
18	212-98464	Stainless steel hose clip 22-30mm	1	
19	212-98466	Stainless steel hose clip 25-35mm	1	
20	218-99249	7/8" ID (22mm) water hose	0.06m	
21	212-98464	Stainless steel hose clip 22-30mm	1	
22	600-00621	Water drain tap	1	For Beta 43 & 50 only
23	217-99321	M10 Flat washer	1	
24	217-99335	M10 x 25mm Fine socket cap screw	1	



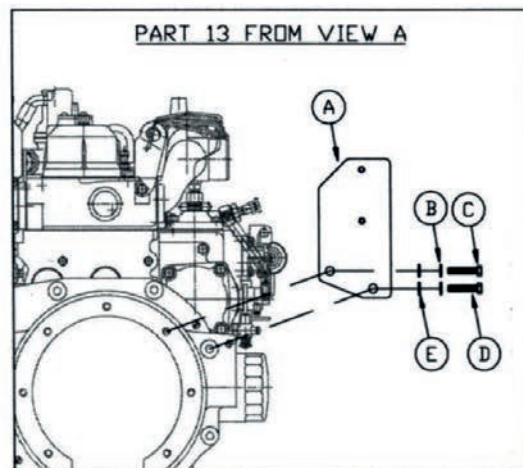
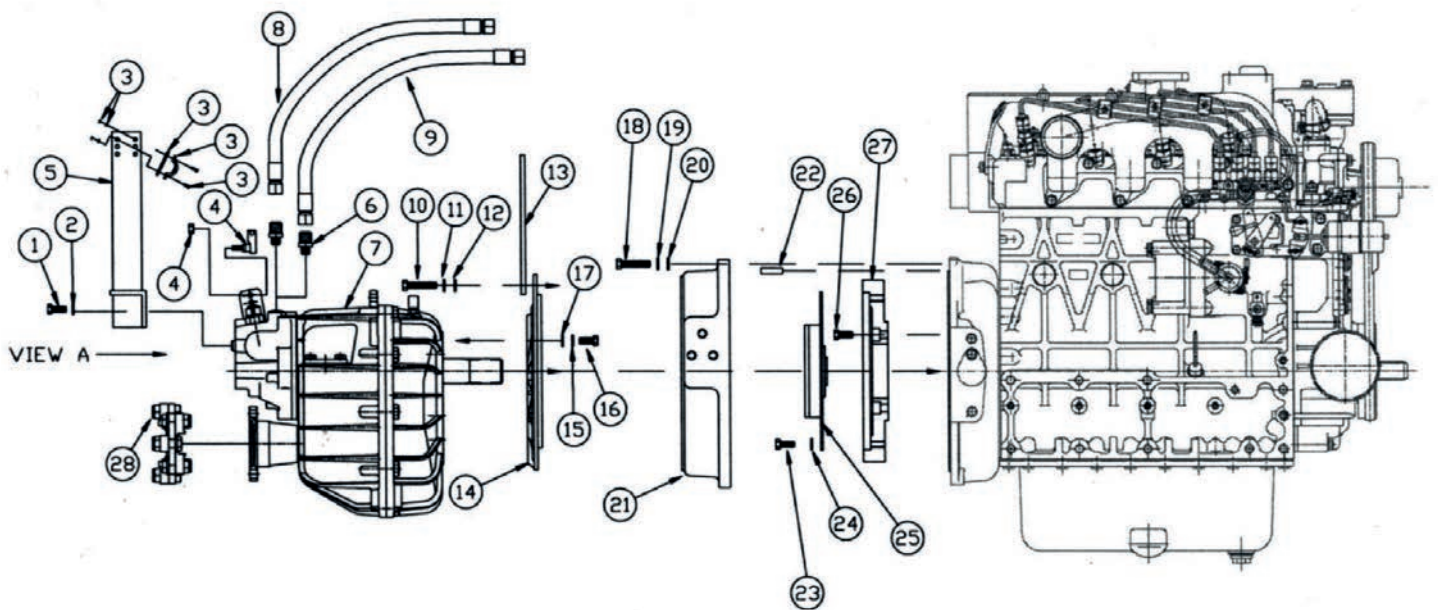
Beta 43, 50 & 60 (non turbo) Sea Water System For Hydraulic Gearboxes

Ref.	Part No.	Description	Qty	Comments
1	202-02860	DC60 Oil cooler bracket	1	
2	217-99341	M12 Flat washer	2	
3	217-99342	M12 Spring washer	2	
4	217-99351	M12 x 30 x 1.25mm set	2	
5	210-91630	DC60 Gearbox oil cooler	1	Includes ref no 6, 7, 9 & 10
6	212-00117	Stainless steel hose clip 45-60mm	1	
7	202-09177	Gearbox cooler end cap 22mm straight outlet	1	Blue silicon - From 2012
	210-00171			Black rubber - To 2012
8	212-98464	Stainless steel hose clip 22-30mm	1	
9	210-00171	Gearbox cooler end cap 22mm straight inlet	1	Black rubber - From June 2013
	210-04351	Gearbox cooler end cap 22mm 90° inlet		To June 2013
10	212-00117	Stainless steel hose clip 45-60mm	1	
11	212-99379	1/2" BSP Copper washer	2	
12	212-99383	1/2" BSP x 3/8" BSP M-M adaptor	2	
13	212-01544	Rubber strip 3mm H x 25mm W x 80mm L	2	
14	212-06547	Oil cooler clamp	1	From August 2007
	210-92260		2	To August 2007
15	217-99292	M8 Spring washer	2	
16	217-99301	M8 x 35mm set bolt	2	
17	217-99293	M8 Flat washer	2	
18	212-02808	Sea water cooling pipe mounting clip	1	
19	212-98464	Stainless steel hose clip 22-30mm	1	
20	202-08795	Sea water cooling pipe	1	Beta Marine sea water pump - From June 2013
	209-03204			Jabsco & Johnson sea water pump - To June 2013
21	217-99335	M10 x 25mm Fine socket set screw	1	
22	217-99321	M10 Flat washer	1	
23	217-99293	M8 Flat washer	2	
24	217-99296	M8 Nyloc nut	2	



Beta 43, 50 & 60 (non turbo) Sea Water System For HBW150 Mechanical Gearboxes

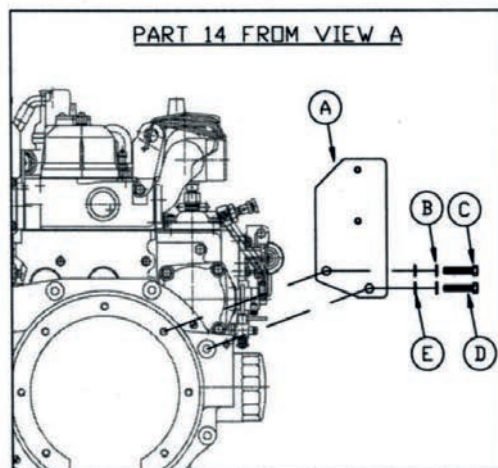
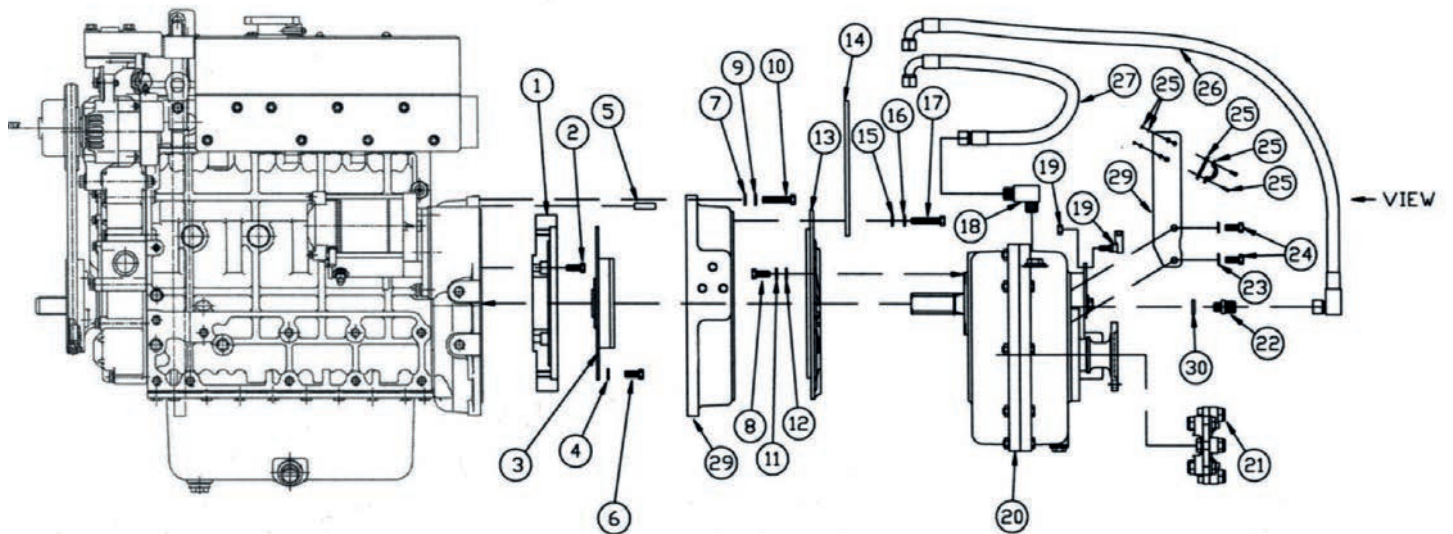
Ref.	Part No.	Description	Qty	Comments
1	212-00066	Stainless steel hose clip 30-40mm	2	
2	218-99251	1 1/8" ID (19mm) water hose	0.06m	
3	212-00066	Stainless steel hose clip 30-40mm	2	
4	209-03177	Sea water cooling pipe	1	
5	217-99293	M8 Flat washer	2	
6	217-99296	M8 Nyloc nut	2	
7	217-99295	M8 Nut	2	
8	217-99292	M8 Spring washer	2	
9	217-99293	M8 Flat washer	2	
10	202-03215	Sea water cooling pipe mounting bracket	2	
11	212-02808	Sea water cooling pipe mounting clip	2	
12	217-99293	M8 Flat washer	2	
13	217-99299	M8 x 25mm set bolt	2	
14	212-00066	Stainless steel hose clip 30-40mm	1	
15	209-91770	28mm ID Black radiator hose elbow	1	
16	212-00066	Stainless steel hose clip 30-40mm	1	
17	210-00089	HBW150 Gearbox oil cooler	1	



Beta 43, 50 & 60 (non turbo) HSW250/ZF25H Hydraulic Gearbox Assembly

Ref.	Part No.	Description	Qty	Comments
1	217-99360	3/8" UNC x 1" set	2	
2	217-99359	3/8" UNC Spring washer	2	
3	212-99241/01	Saddle clamp fitting kit	1	
4	212-99240/01	Ball joint Z/P steel	1	
5	202-05406	Gearbox morse control bracket	1	For HSW240 & ZF25H
6	212-01018	3/8" BSPT x 3/8" BSP M-M adaptor	2	
7	204-98890	Gearbox complete R1.97	1	For HSW240 & ZF25H
	204-01191	Gearbox complete R2.8		For HSW240 & ZF25H
	204-00743	Gearbox complete R1.93		For HSW240 & ZF25H
	204-01148	Gearbox complete R2.71		For HSW240 & ZF25H
8	210-94220	Hydraulic oil pipe 3/8" BSP 450mm 90°-ST	1	
9	210-94220	Hydraulic oil pipe 3/8" BSP 450mm 90°-ST	1	
10	217-99326	M10 x 30mm set bolt	3	Top
	217-99325	M10 x 25mm set bolt	4	Bottom
11	217-99320	M10 Spring washer	7	
12	217-99321	M10 Flat washer	7	
13	202-90301	Sump drain pump bracket	1	For HSW240
14	205-85810	Adaptor plate	1	For HSW240 & ZF25H
15	217-99320	M10 Spring washer	4	Not on bottom bolts
16	217-99325	M10 x 25mm set bolt	6	
17	217-99321	M10 Flat washer	6	
18	217-99330	M10 x 40 x 1.25mm set bolt	6	
19	217-99320	M10 Spring washer	6	
20	217-99321	M10 Flat washer	6	
21	208-62300	Flywheel housing	1	For Beta 43 & 50
	208-07157			For Beta 60
22	217-99339	Dowel 10mm OD x 20mm OAL	2	
23	217-99311	M8 x 25mm socket cap bolt	6	
24	217-99293	M8 Flat washer	6	
25	206-05185	Hydraulic drive plate	1	From July 2006
	206-97790			To July 2006
26	217-99349	M12 x 20mm socket cap bolt	6	
27	201-90330	Inertia ring	1	For Beta 43 & 50 - From July 2006
	201-01630			For Beta 43 & 50 - To July 2006
	201-07145			For Beta 60
28	212-01430	Flexible coupling	1	

Ref.	Part No.	Description	Qty	Comments
A	202-90301	Sump drain pump bracket	1	
B	217-99320	M10 Spring washer	2	
C	217-99326	M10 x 30mm set bolt	3	Top
	217-99325	M10 x 25mm set bolt	4	Bottom
D	217-02760	M10 x 100 x 1.25mm Hex bolt	1	
E	217-99321	M10 Flat washer	8	

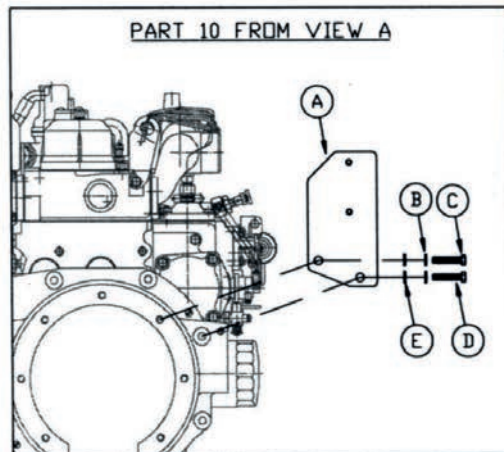
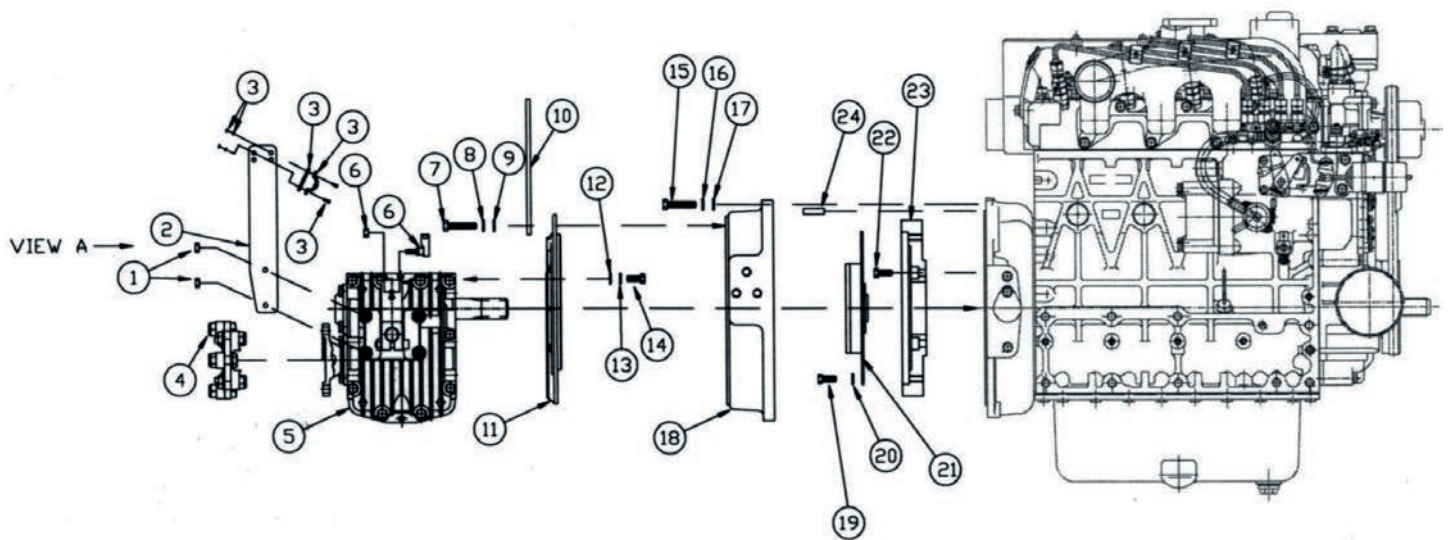


BETA MARINE

Beta 43, 50 & 60 (non turbo), Beta 62T (T - turbocharged) PRM150 Hydraulic Gearbox Assembly

Ref.	Part No.	Description	Qty	Comments
1	201-90330	Inertia ring	1	Beta 43 & 50
	201-07145			Beta 60 & 62T
2	217-01237	M12 x 30mm socket cap bolt	6	
3	206-07584	Hydraulic drive plate	1	From December 2009
	206-03981			From February 2004 to December 2009
	206-02094			To February 2004
4	217-99293	M8 Flat washer	6	
5	217-99339	Dowel 10mm OD x 20mm OAL	2	
6	217-99298	M8 x 25mm set bolt	6	From December 2009
	217-99299	M8 x 20mm set bolt		To December 2009
7	217-99321	M10 Flat washer	6	
8	217-99311	M8 x 25mm socket cap bolt	6	
9	217-99320	M10 Spring washer	6	
10	217-99330	M10 x 40 x 1.25mm set bolt	6	
11	217-99292	M8 Spring washer	6	
12	217-99293	M8 Flat washer	6	
13	205-92480	Adaptor plate	1	
14	202-90301	Sump drain pump bracket	1	
15	217-99321	M10 Flat washer	7	
16	217-99320	M10 Spring washer	7	
17	217-99326	M10 x 30mm set bolt	3	Top
	217-99325	M10 x 25mm set bolt	4	Bottom
18	210-91940	1/4"BSPT x 3/8"BSP M-M 90° adaptor	1	
19	212-99240/01	Ball joint Z/P steel	1	
20	204-91920	Gearbox complete D2	1	
	204-91700	Gearbox complete D3		
21	212-01430	Flexible coupling	1	
22	N/A	No longer used superseded by ref no 26	1	
23	217-99292	M8 Spring washer	2	
24	217-99301	M8 x 30mm set bolt	2	
25	212-99241/01	Saddle clamp fitting kit	1	
26	210-04942	Hydraulic oil pipe 3/8" BSP 640mm OAL 90° 1/4" BSP banjo	1	Includes bolt & 2 x washers
27	210-94220	Hydraulic oil pipe 3/8" BSP 450mm 90°-ST	1	
28	202-94100	Gearbox morse control bracket	1	
29	208-62300	Flywheel housing	1	Beta 43 & 50
	208-07157			Beta 60 & 62T

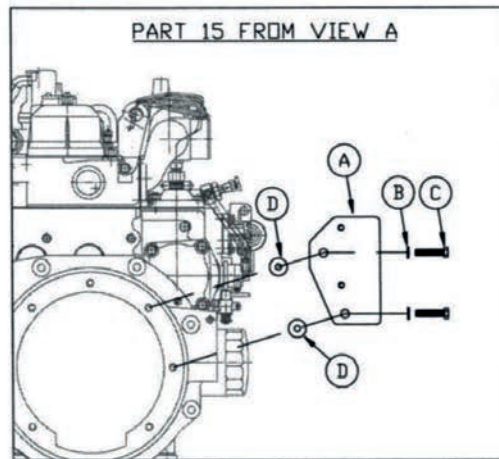
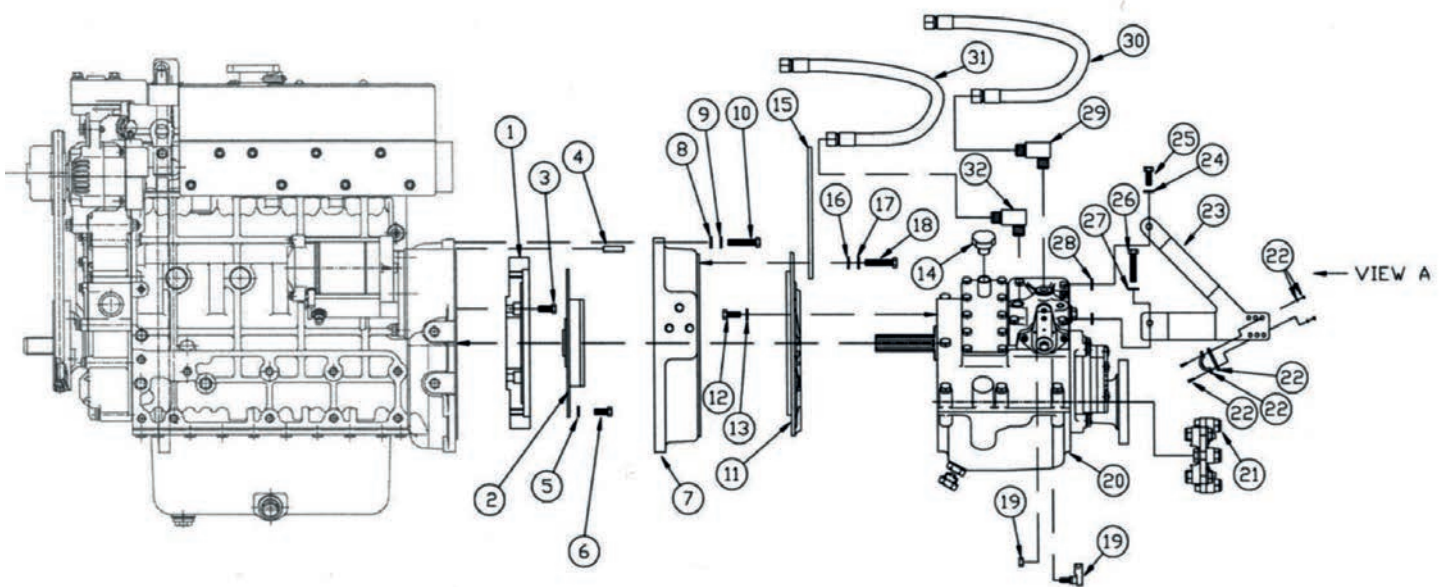
Ref.	Part No.	Description	Qty	Comments
A	202-90301	Sump drain pump bracket	1	
B	217-99320	M10 Spring washer	2	
C	217-99326	M10 x 30mm set bolt	3	Top
	217-99325	M10 x 25mm set bolt	4	Bottom
D	217-02760	M10 x 100 x 1.25mm Hex bolt	1	
E	217-99321	M10 Flat washer	3	
	201-09023	24mm DIA 10mm OAL Spacer	1	



Beta 43 & 50 (non turbo) Hurth 125/150, ZF12M/ZF15M Gearbox Assembly

Ref.	Part No.	Description	Qty	Comments
1	217-99295	M8 Nut	2	
2	202-61582	Gearbox morse control bracket	1	
3	212-99241/01	Saddle clamp fitting kit	1	
4	212-01430	Flexible coupling	1	
5	204-85860	Gearbox complete HBW125 R2 (ZF12 M R2)	1	Beta 43 (BV1903) only
	204-85870	Gearbox complete HBW150 R2 (ZF15 M R2)		
	204-00767	Gearbox complete HBW150 V R2 (ZF15 MIV R2)		
	204-85875	Gearbox complete HBW150A R2 (ZF15 MA R2)		
6	212-99240/01	Ball joint Z/P steel	1	
7	217-99326	M10 x 30mm set bolt	3	Top
	217-99325	M10 x 25mm set bolt	4	Bottom
8	217-99320	M10 Spring washer	7	
9	217-99321	M10 Flat washer	7	
10	202-90301	Sump drain pump bracket	1	
11	205-60990	Adaptor plate	1	
12	217-99293	M8 Flat washer	6	
13	217-99292	M8 Spring washer	4	
14	217-99299	M8 x 25mm set bolt	6	
15	217-99330	M10 x 40 x 1.25mm set bolt	6	
16	217-99320	M10 Spring washer	6	
17	217-99321	M10 Flat washer	6	
18	208-62300	Flywheel housing	1	
19	217-99311	M8 x 25mm socket cap bolt	6	
20	217-99293	M8 Flat washer	6	
21	206-00895	Driveplate	1	HBW125 & HBW150V
	206-91950			HBW150 & 150A
22	217-01237	M12 x 30mm socket cap bolt	6	
23	201-90330	Inertia ring	1	
24	217-99339	Dowel 10mm OD x 20mm OAL	2	

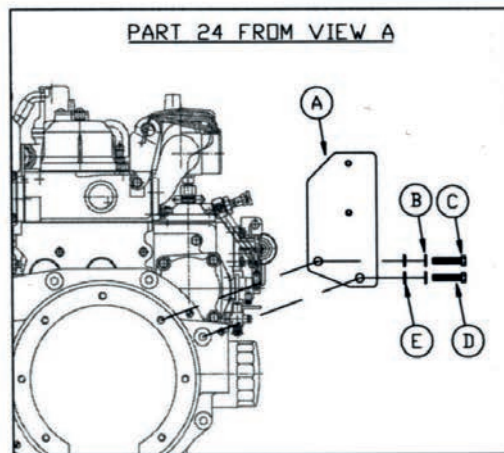
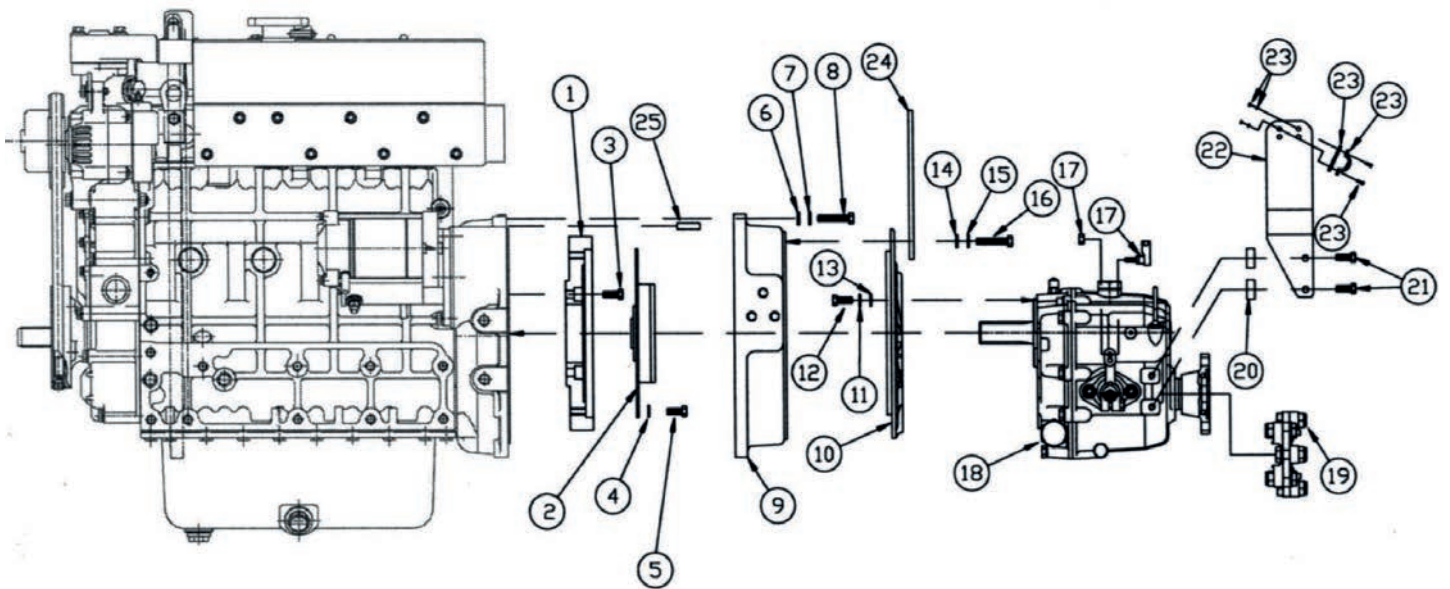
Ref.	Part No.	Description	Qty	Comments
A	202-90301	Sump drain pump bracket	1	
B	217-99320	M10 Spring washer	2	
C	217-99326	M10 x 30mm set bolt	3	Top
	217-99325	M10 x 25mm set bolt	4	Bottom
D	217-02760	M10 x 100 x 1.25mm Hex bolt	1	
E	217-99321	M10 Flat washer	8	



Beta 43, 50 & 60 (non turbo), Beta 62T (T - turbocharged) PRM260/280 Hydraulic Gearbox Assembly

Ref.	Part No.	Description	Qty	Comments
1	201-90330	Inertia ring	1	Beta 43 & 50
	201-07145			Beta 60 & 62T
2	206-02095	Driveplate	1	
3	217-01237	M12 x 30mm socket cap bolt	6	
4	217-99339	Dowel 10mm OD x 20mm OAL	2	
5	217-99293	M8 Flat washer	6	
6	217-99311	M8 x 25mm socket cap bolt	6	
7	208-62300	Flywheel housing	1	Beta 43 & 50
	208-07157			Beta 60 & 62T
8	217-99330	M10 x 40 x 1.25mm set bolt	6	
9	217-99320	M10 Spring washer	6	
10	217-99321	M10 Flat washer	6	
11	205-72820	Adaptor plate	1	
12	217-99323	M10 Nyloc nut	5	
13	201-01752	M10 Stud	5	
14	205-02829	Gearbox breather cap	1	
15	202-97590	Sump drain pump bracket	1	
16	217-99321	M10 Flat washer	7	
17	217-99320	M10 Spring washer	4	Not on bottom bolts
18	217-99326	M10 x 30mm set bolt	3	Top
	217-99325	M10 x 25mm set bolt	4	Bottom
19	212-99240/01	Ball joint Z/P Steel	1	
20	204-10398	Gearbox complete PRM280 D2	1	PRM260 superseded by PRM280 middle of 2016
	204-10436	Gearbox complete PRM280 D3		
21	212-01248	Flexible coupling	1	
22	212-99241/01	Saddle clamp fitting kit	1	
23	202-80560	Gearbox morse control bracket	1	
24	217-99292	M8 Spring washer	1	
25	217-99357	5/16 UNF x 1 1/4" set	1	
26	217-99358	5/16 UNF x 2 1/2" set	1	
27	217-99292	M8 Spring washer	1	
28	209-00017	M8 bonded seal	2	
29	212-99388	3/8" BSPT x 3/8" BSP M-M 90° adaptor	1	
30	210-94220	Hydraulic oil pipe 3/8" BSP 450mm 90°-ST	1	
31	210-94220	Hydraulic oil pipe 3/8" BSP 450mm 90°-ST	1	
32	212-99388	3/8" BSPT x 3/8" BSP M-M 90° adaptor	1	

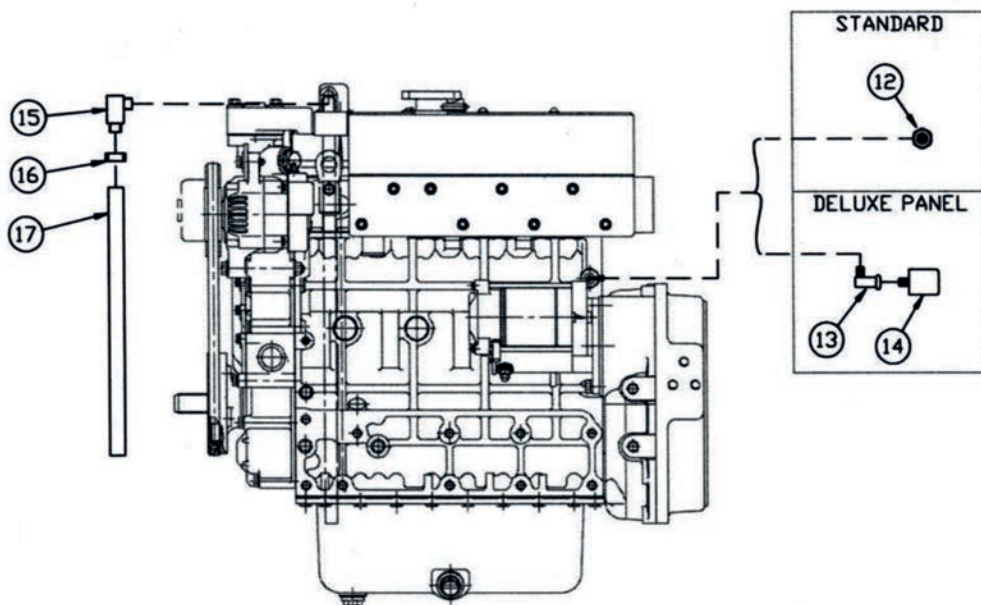
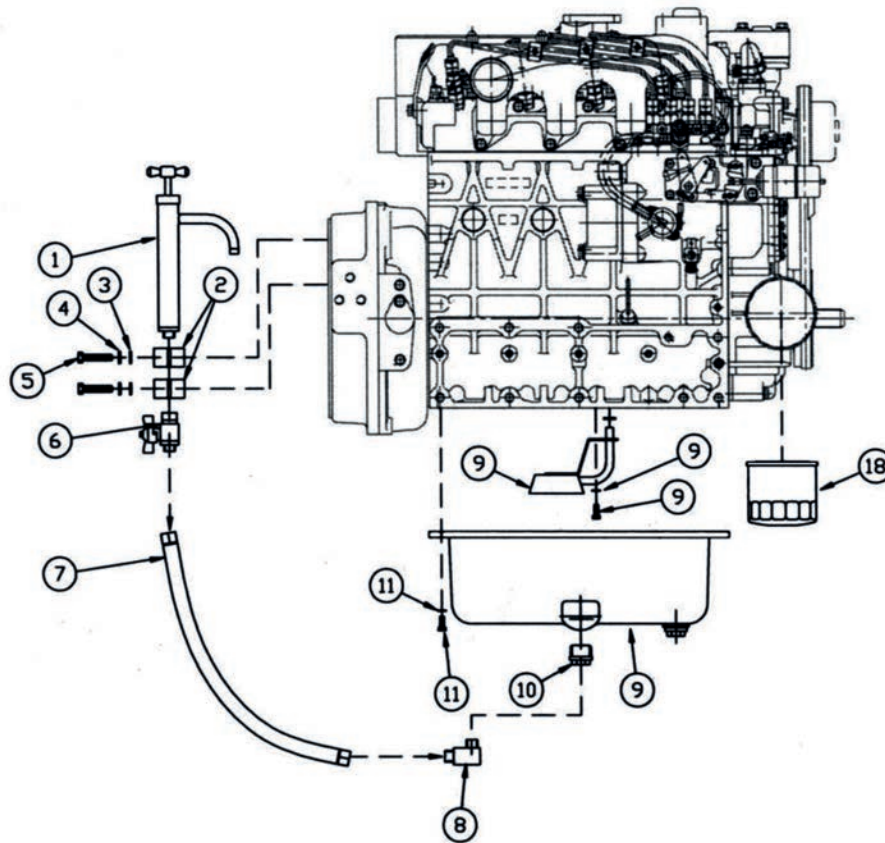
Ref.	Part No.	Description	Qty	Comments
A	202-97590	Sump drain pump bracket	1	
B	217-99320	M10 Spring washer	2	
C	217-99326	M10 x 30mm set bolt	3	Top
	217-99325	M10 x 25mm set bolt	4	Bottom
D	201-61801	18mm OAL spacer	1	



Beta 43 & 50 (non turbo) TMC60 Gearbox Assembly

Ref.	Part No.	Description	Qty	Comments
1	201-90330	Inertia ring	1	
2	206-91950	Driveplate	1	
3	217-01237	M12 x 30mm socket cap bolt	6	
4	217-99293	M8 Flat washer	6	
5	217-99311	M8 x 25mm socket cap bolt	6	
6	217-99321	M10 Flat washer	6	
7	217-99320	M10 Spring washer	6	
8	217-99330	M10 x 40 x 1.25mm set bolt	6	
9	208-62300	Flywheel housing	1	
10	205-60990	Adaptor plate	1	
11	217-99292	M8 Spring washer	4	
12	217-99299	M8 x 25mm set bolt	6	
13	217-99293	M8 Flat washer	6	
14	217-99321	M10 Flat washer	7	
15	217-99320	M10 Spring washer	7	
16	217-99326	M10 x 30mm set bolt	3	Top
	217-99325	M10 x 25mm set bolt	4	Bottom
17	212-99240/01	Ball joint Z/P Steel	1	
18	204-91680	Gearbox complete TMC60R2	1	Gearbox oil cooler for LH propellers available AK/S3H/MEC/001
	204-01627	Gearbox complete TMC60R2.5		
	204-01192	Gearbox complete TMC60R3		
	204-07724	Gearbox complete TMC60AR2		
	204-07928	Gearbox complete TMC60AR2.5		
19	212-01430	Flexible coupling	1	
20	201-01204	M8 7mm OAL spacer	2	
21	217-02585	M8 x 25mm Countersunk set bolt	2	
22	202-05129	Gearbox morse control bracket	1	
23	212-99241/01	Saddle clamp fitting kit	1	
24	202-90301	Sump drain pump bracket	1	
25	217-99339	Dowel 10mm OD x 20mm OAL	2	

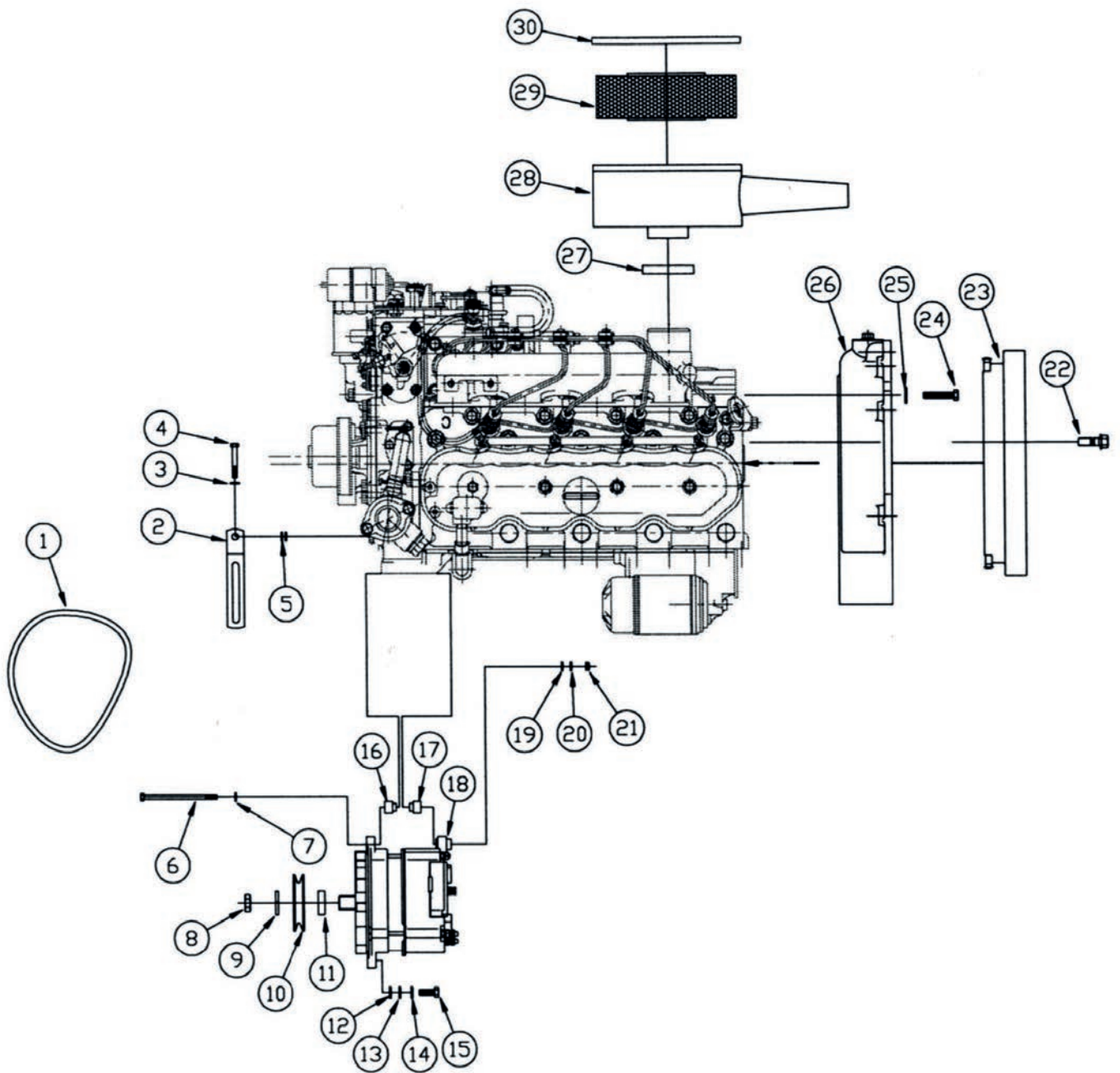
Ref.	Part No.	Description	Qty	Comments
A	202-90301	Sump drain pump bracket	1	
B	217-99320	M10 Spring washer	2	
C	217-99326	M10 x 30mm set bolt	3	Top
	217-99325	M10 x 25mm set bolt	4	Bottom
D	217-02760	M10 x 100 x 1.25mm Hex bolt	1	
E	217-99321	M10 Flat washer	8	



BETA MARINE

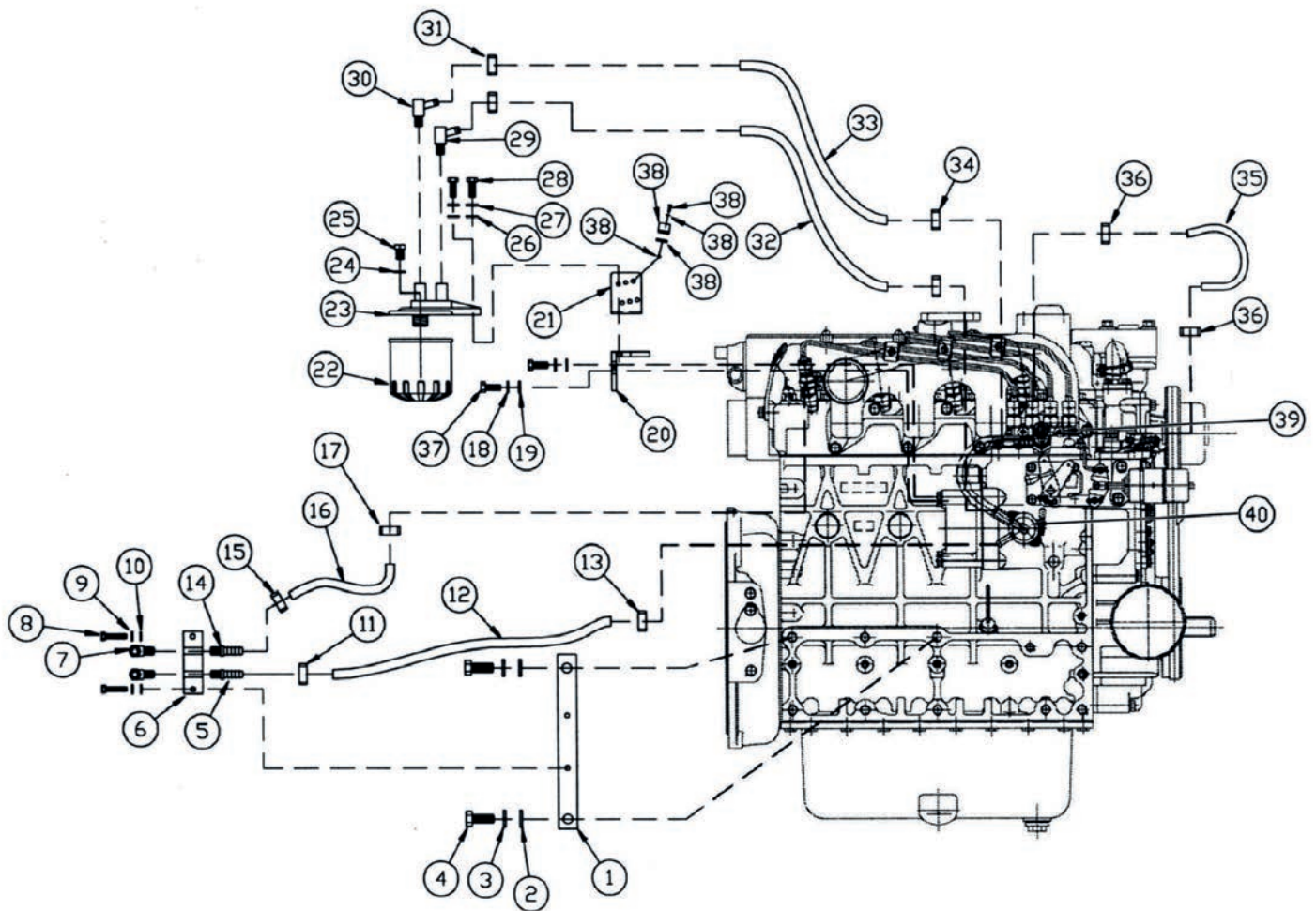
Beta 43, 50 & 60 (non turbo), Beta 62T (T - turbocharged) Oil System Components

Ref.	Part No.	Description	Qty	Comments
1	210-80061	Sump drain pump	1	
2	212-00793	Sump drain pump clamp	2	
3	217-99294	M8 Penny washer	2	
4	217-99292	M8 Spring washer	2	
5	217-99303	M8 x 50mm set bolt	2	
6	210-94530	3/8" BSP Sump drain pump tap	1	
7	210-94190	3/8" BSP 480mm STR-STR Sump pump drain pipe	1	Shallow sump - From 2011
	210-94200	3/8" BSP 640mm STR-STR Sump pump drain pipe		Standard sump - From 2011
8	210-91940	1/4" x 3/8" BSP M-M elbow	1	
9	600-01129	Standard oil sump	1	
	AK/S3/4/4/003	Shallow oil sump kit		Includes sump, sump gasket, elbow and sump drain pump pipe
	600-00571	Sump gasket		
10	201-02318	1/4" BSP Sump drain pump tapping	1	Standard sump
	212-06259	M16 x 3/8" Sump drain pump tapping		Shallow sump
11	600-02845	Sump flange bolt	24	
12	600-62670	Oil pressure switch	1	Not C Deluxe or CW panels
13	212-04355	1/8" BSPTM x 1/8" BSPF elbow	1	
14	200-94350	Oil pressure sender	1	For C Deluxe or CW panels
15	212-99378	1/4" BSP 90° M-M Compact adaptor	1	Open breather engines only to January 2006
16	217-99244	5/8" 'O' clip		
17	600-01717	Breather pipe		
18	211-70510/02	Oil filter	1	



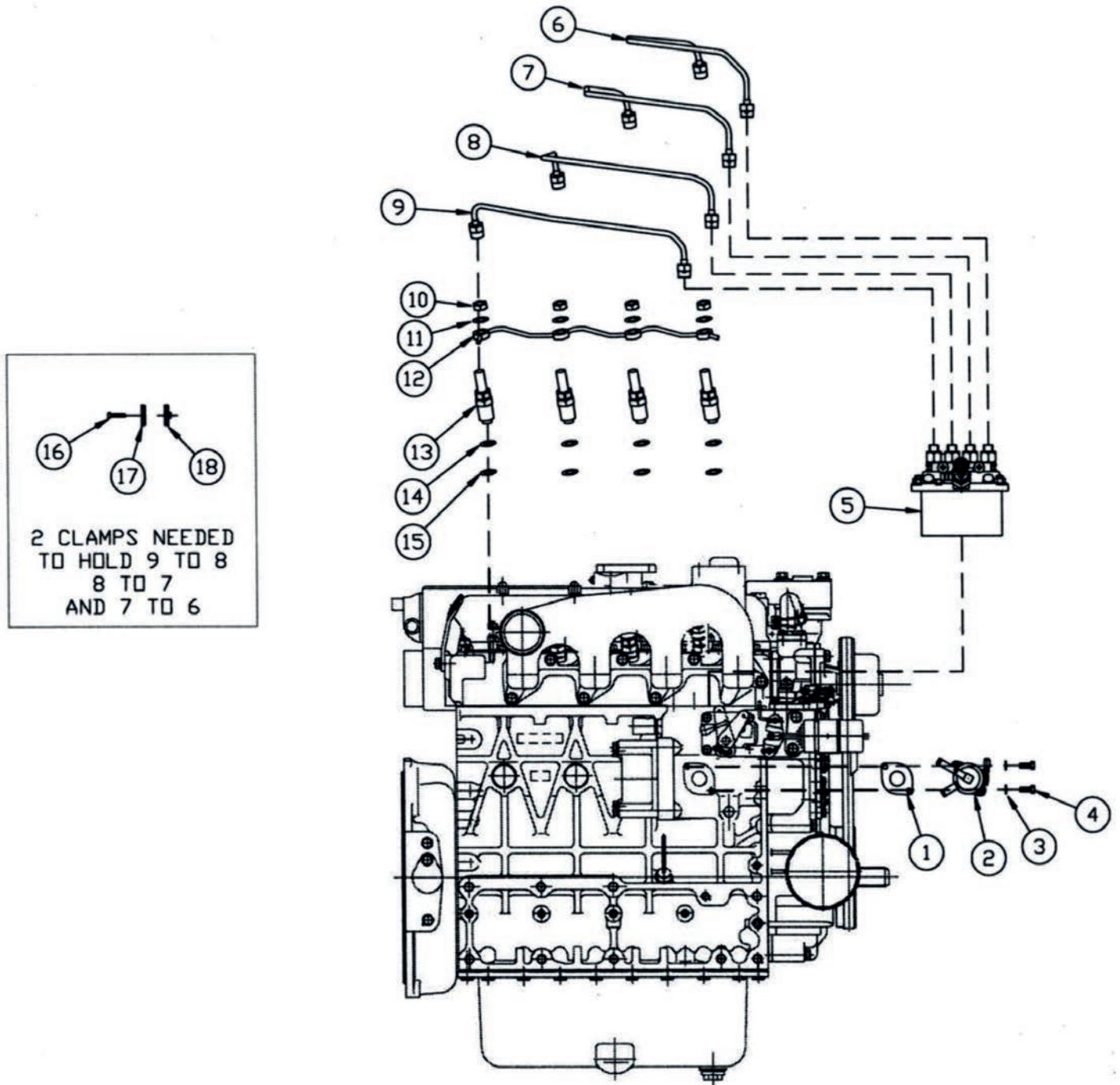
Beta 43, 50 & 60 (non turbo), Beta 62T (T - turbocharged) Block Components

Ref.	Part No.	Description	Qty	Comments
1	214-87050	V Belt	1	Beta 43, 50 & 60 - From April 2011, Beta 62T - From 2021
	214-99223			Beta 43 - From September 2008, Beta 50 - From July 2007 & Beta 60 - To April 2011
	214-96830			Beta 43 - To September 2008, Beta 50 - To July 2007
2	202-96260	Alternator arm	1	
3	217-99292	M8 Spring washer	1	
4	217-99306	M8 x 80mm set bolt	1	Modified to 75mm
5	217-99293	M8 Flat washer	3	
6	217-99308	M8 x 130mm bolt	1	
7	217-99293	M8 Flat washer	1	
8	N/A	N/A	N/A	Part of alternator see ref no 18
9				
10	200-91730	Alternator V belt pulley	1	
11	200-91740	Alternator spacer	1	
12	217-99294	M8 Penny washer	1	
13	217-99294	M8 Penny washer	1	
14	217-99292	M8 Spring washer	1	
15	217-99299	M8 x 25mm set bolt	1	
16	201-58920	Alternator spacer	1	
17	201-58920	Alternator spacer	1	
18	200-01155	65/70 Amp 12v alternator	1	
19	217-99293	M8 Flat washer	1	
20	217-99292	M8 Spring washer	1	
21	217-99295	M8 Nut	1	
22	600-02102	Flywheel bolt	6	Beta 43 & 50
	600-07154			Beta 60 & 62T
23	600-02267	Flywheel	1	Beta 43 & 50
	600-07153			Beta 60 & 62T
24	217-99351	M12 x 30 x 1.25mm set bolt	11	
25	217-99342	M12 Spring washer	11	
26	600-03192	Flywheel housing backplate	1	Beta 43 & 50
	600-07155			Beta 60 & 62T
27	212-00117	Stainless steel hose clip 45-60mm	1	
28	211-09178	Plastic air filter assembly	1	Includes ref no 29 & 30
	211-08131	Wing nut air filter assembly		Includes ref no 29 & 30 - No Longer Available
	211-93700	3 Clamp air filter assembly		
29	211-09179	Air filter element	1	From January 2014
	211-08133			From January 2011 to December 2013
	211-61831			To December 2010
30	N/A	Air filter assembly cover	N/A	No Longer Available see ref no 28
31	209-09225	Plastic air filter assembly adaptor sleeve	1	Beta 43, 50 & 60 - Required when retro fitting a plastic air filter assembly
	202-22573	Rubber air filter assembly adaptor sleeve		Beta 62T - Required when retro fitting a plastic air filter assembly



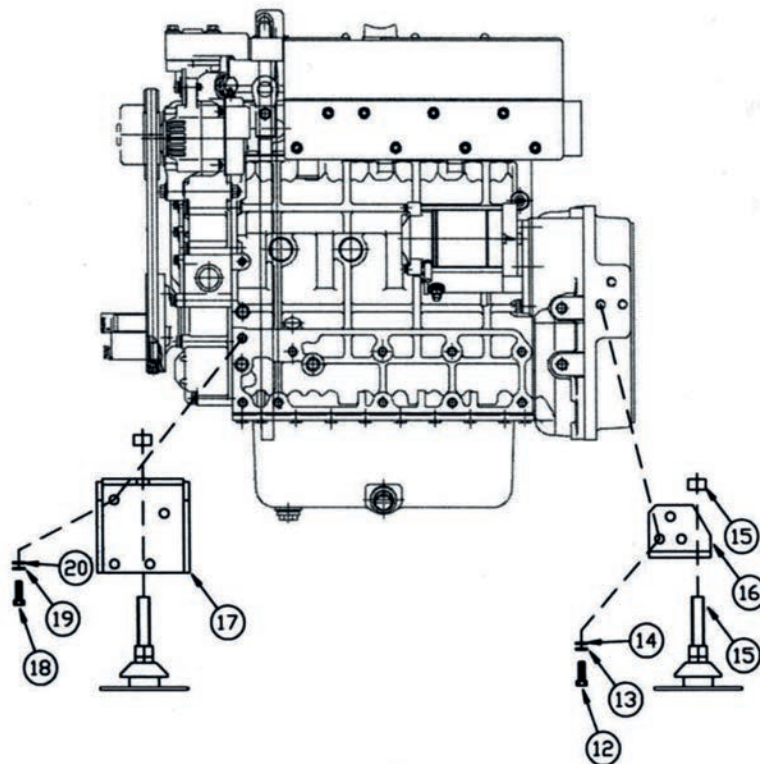
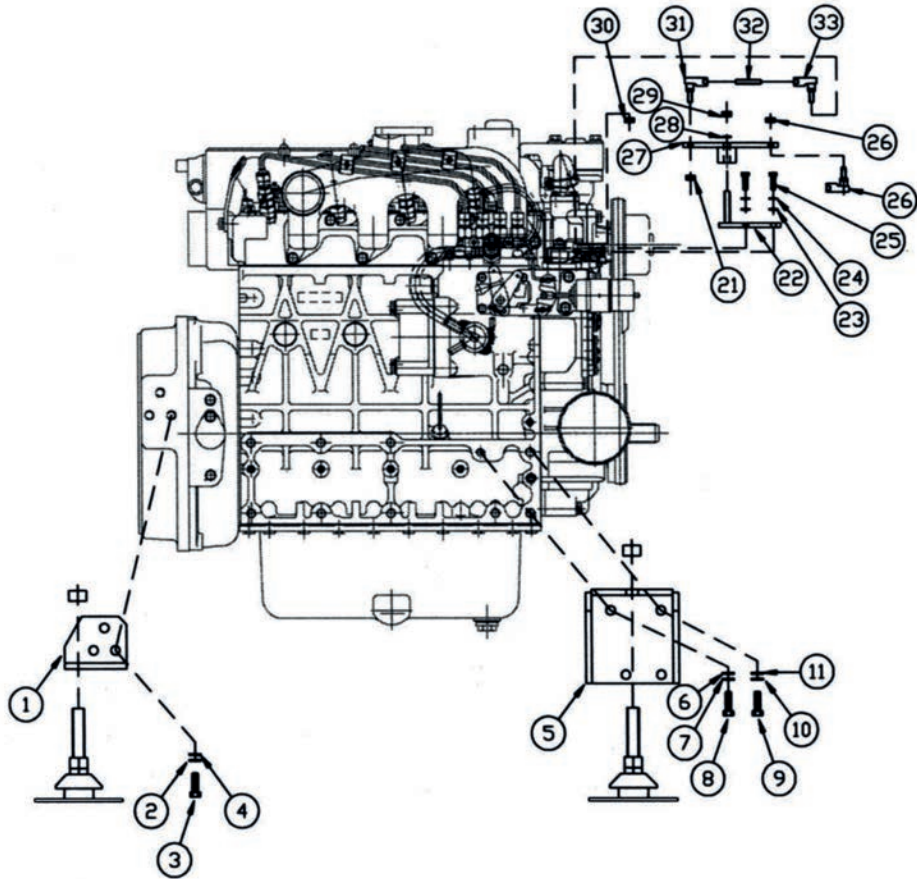
Beta 43, 50 & 60 (non turbo), Beta 62T (T - turbocharged) Fuel System Components

Ref.	Part No.	Description	Qty	Comments
1	202-03057	Fuel block bracket	1	
2	217-99341	M12 Flat washer	2	
3	217-99342	M12 Spring washer	2	
4	217-99351	M12 x 30 x 1.25mm set bolt	2	
5	212-99253	1/4" BSPT Male x 8mm hose tail	1	
6	202-01460	Fuel connection block	1	
7	212-97114	8mm x 1/4" BSPT Male compression elbow	2	USA specification engines only
	212-99253	1/4" BSPT Male x 8mm hose tail		
8	217-99283	M6 x 30mm set bolt	2	
9	217-99275	M6 Spring washer	2	
10	217-99276	M6 Flat washer	2	
11	212-02826	Stainless steel hose clip type 15	1	
12	212-02423	5mm bore fuel hose	0.33m	ISO7480 Class A1
13	212-02826	Stainless steel hose clip type 15	1	
14	212-03125	1/4" BSPT Male x 5mm hose tail	1	
15	212-04627	Stainless steel hose clip type 11	1	
16	218-02827	5mm bore fuel hose	0.36m	ISO7480 Class A1
17	212-04627	Stainless steel hose clip type 11	1	
18	217-99292	M8 Spring washer	2	
19	217-99293	M8 Flat washer	2	
20	202-97630	Fuel filter bracket	1	
21	202-05064	Speed control morse saddle bracket	1	To July 2008
	202-06194			From July 2008
22	211-60210	Fuel filter	1	
23	600-80290	Fuel filter assembly complete head	1	Includes ref no 9 & 10
24	N/A	N/A	N/A	See ref no 23
25				
26	217-99293	M8 Flat washer	2	
27	217-99292	M8 Spring washer	2	
28	217-99298	M8 x 20mm set bolt	2	
29	N/A	Part of fuel filter assembly	N/A	See ref no 23
30				
31	212-02826	Stainless steel hose clip type 15	2	
32	212-02423	8mm bore fuel hose	0.22m	ISO7480 Class A1
33	212-02423	8mm bore fuel hose	0.21m	ISO7480 Class A1
34	212-02826	Stainless steel hose clip type 15	2	
35	218-02827	5mm bore fuel hose	0.29m	ISO7480 Class A1
36	212-04627	Stainless steel hose clip type 11	2	
37	217-99305	M8 x 70mm set bolt	2	
38	212-99241/01	Saddle clamp fitting kit	1	
39	600-03233	Fuel injection bleed screw	1	
40	600-80870	Fuel lift pump	1	Beta 43, 60 & 62T
	600-80870			Beta 50 - From 2007
	600-00633			Beta 50 - To July 2007



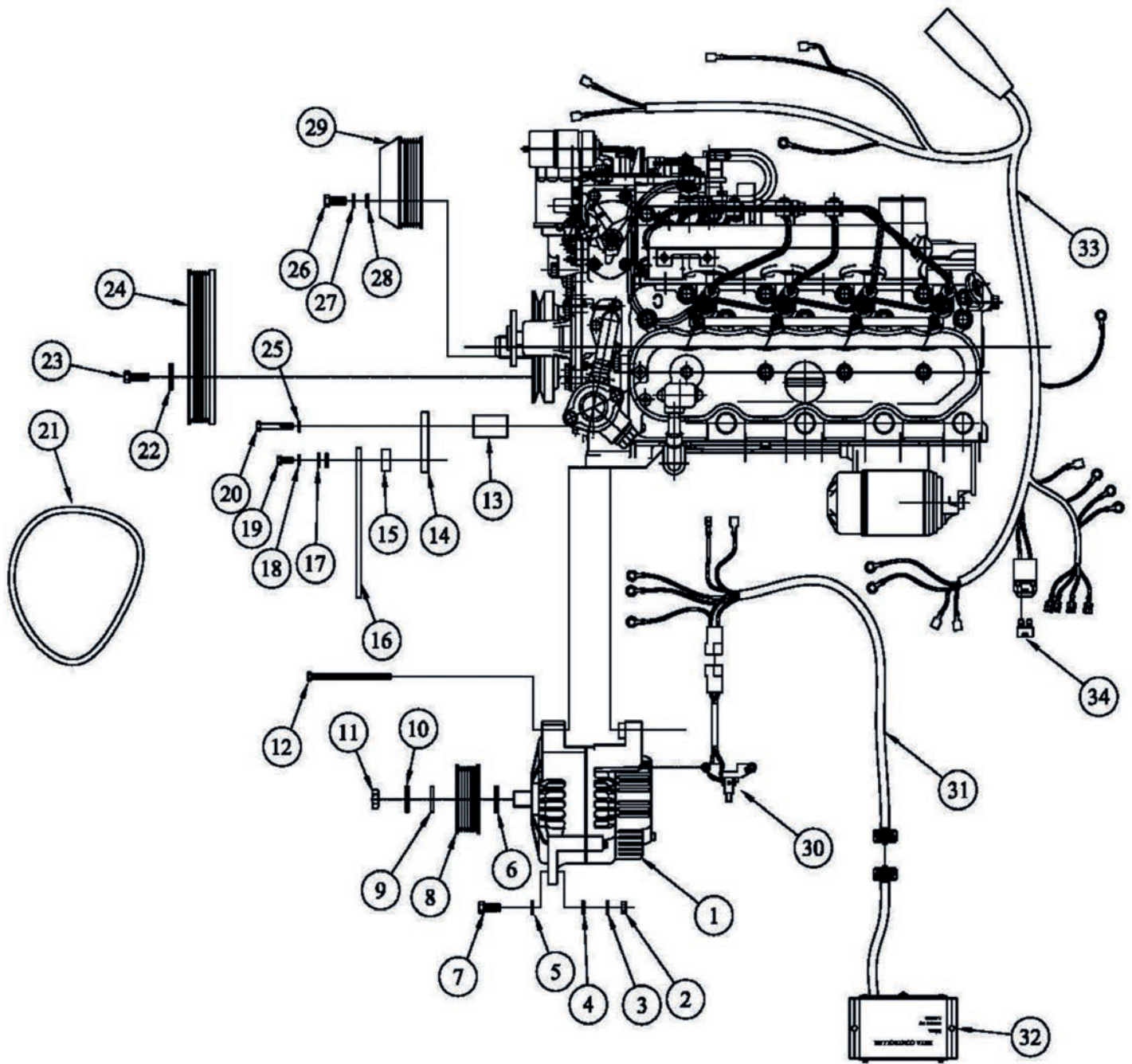
Beta 43, 50 & 60 (non turbo), Beta 62T (T - turbocharged) Fuel System Components

Ref.	Part No.	Description	Qty	Comments
1	600-00538	Fuel lift pump gasket	1	
2	600-80870	Fuel lift pump	1	Beta 50, 60 & 62T - From July 2007
	600-00633			Beta 50 - To July 2007
	600-80870			Beta 43
3	217-99275	M6 Spring washer	2	
4	217-99280	M6 x 16mm set bolt	2	
5	600-07156	Fuel injection pump	1	Beta 43 - From September 2008
	600-03184			Beta 43 - To September 2008
	600-07152			Beta 50 - From July 2007
	600-03184/50			Beta 50 - To July 2007
	600-07152			Beta 60 & 62T
6	600-01031	Injector pipe A, (1) BTM engines	1	From January 2006
	600-01113	Injector pipe A, (1) open breather engines		To January 2006
7	600-02049	Injector pipe B, (2) BTM engines	1	From January 2006
	600-01114	Injector pipe B, (2) open breather engines		To January 2006
8	600-01465	Injector pipe C, (3) BTM engines	1	From January 2006
	600-01115	Injector pipe C, (3) open breather engines		To January 2006
9	600-01032	Injector pipe D, (4) BTM engines	1	From January 2006
	600-01116	Injector pipe D, (4) open breather engines		To January 2006
10	600-00622	Injector nut	4	
11	600-00537	Fuel leak off rail gasket	4	
12	600-00548	Fuel leak off rail	1	Beta 43, 60 & 62T
	600-00548			Beta 50 - From July 2007
	600-00549			Beta 50 - To July 2007
13	600-00542	Injector includes ref no 10 & 11	4	Beta 43 - From September 2008, Beta 50 - From July 2007, Beta 60 & 62T
	600-00541			Beta 43 - To September 2008
	600-02048			Beta 50 - To July 2007
14	600-00242	Injector gasket	4	
15	600-01042	Injector heat seal	4	
16	600-91803	Fuel clamp screw	3	Includes washer
17	600-91802	Fuel clamp	3	No thread
18	600-91801	Fuel clamp	3	With thread



Beta 43, 50 & 60 (non turbo) Speed Control Bracketry & Feet

Ref.	Part No.	Description	Qty	Comments
1	202-88660	Rear feet	1	As a handed pair
2	217-99342	M12 Spring washer	3	
3	217-99345	M12 x 30mm set bolt	3	
4	217-99341	M12 Flat washer	3	
5	202-07154	Starboard foot	1	
6	217-99321	M10 Flat washer	1	
7	217-99320	M10 Spring washer	1	
8	217-99329	M10 x 25 x 1.25mm set bolt	1	
9	217-99351	M12 x 30 x 1.25mm set bolt	3	
10	217-99342	M12 Spring washer	3	
11	217-99341	M12 Flat washer	3	
12	217-99345	M12 x 30mm set bolt	3	
13	217-99342	M12 Spring washer	3	
14	217-99341	M12 Flat washer	3	
15	213-85900/02	45 shore flexible mount	4	Beta 43 except with PRM260
	213-96970/01	55 shore flexible mount		Beta 43 PRM260, Beta 50, 60 & 62T
16	202-88660	Rear feet	1	As a handed pair
17	202-07170	Port foot	1	
18	217-99351	M12 x 30 x 1.25mm set bolt	4	
19	217-99342	M12 Spring washer	4	
20	217-99341	M12 Flat washer	4	
21	217-99354	1/4" UNF Hex full nut	1	
22	202-06194	Speed control bracket	1	Beta 43 - From September 2008, Beta 50 - From July 2007 & Beta 60
	202-05064			Beta 43 - To September 2008, Beta 50 - To July 2007
23	217-99276	M6 Flat washer	2	
24	217-99275	M6 Flat washer	2	
25	217-99282	M6 x 25mm set bolt	2	
26	212-99240/01	Ball joint Z/P steel	1	
27	202-01396	Speed control lever assembly	1	
28	217-99293	M8 Flat washer	1	
29	217-99296	M8 Nyloc nut	1	
30	217-99354	1/4" UNF Hex full nut	1	
31	212-92270	Speed control elbow	1	
32	217-99355	1/4" UNF Threaded bar	0.05m	
33	212-92270	Speed control elbow	1	



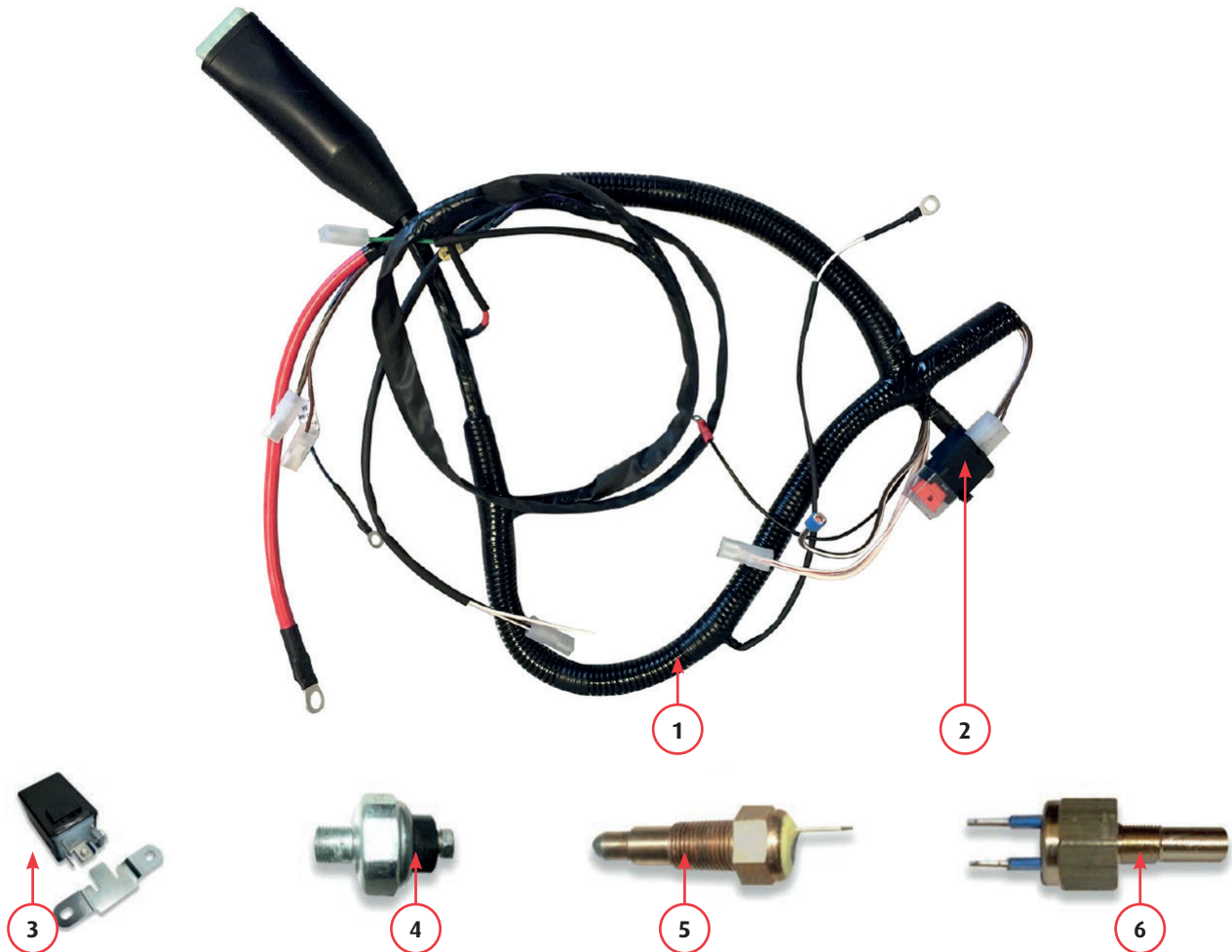
BETA MARINE

Beta 43, 50 & 60 (non turbo) With 100 Amp Alternator And Optional Beta Controller - To 2012

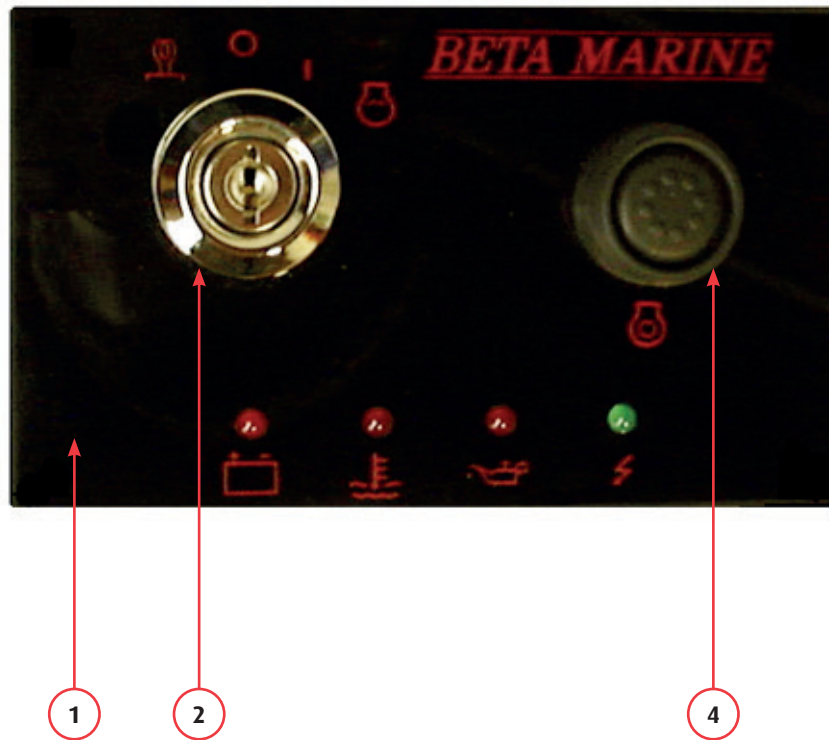
Ref.	Part No.	Description	Qty	Comments
1	200-03008	100 Amp alternator	1	Internal fan
2	217-99295	M8 Nut	1	
3	217-99292	M8 Spring washer	1	
4	217-99293	M8 Flat washer	1	
5	217-99293	M8 Flat washer	1	
6	N/A	N/A	N/A	Part of ref no 1
7	217-99302	M8 x 40mm set bolt	1	
8	201-02251	6K Alternator driven pulley 80mm diameter	1	
9				
10	N/A	N/A	N/A	Part of ref no 1
11				
12	217-03178	3/8" UNC x 4 1/2" socket cap bolt	1	
13	201-61440/46	Spacer 25mm dia x 63mm OAL	1	Machine down to 46mm OAL
14	202-05459	100 Amp alternator arm spacer bracket	1	
15	201-61420/10	Spacer 25mm dia x 20.5mm OAL	1	Machine down to 10mm OAL
16	202-01086	100 Amp alternator adjusting arm	1	
17	217-99294	M8 Penny washer	2	
18	217-99292	M8 Spring washer	1	
19	217-99301	M8 x 35mm set bolt	1	
20	217-99306	M8 x 80mm set bolt	2	
21	214-07037	100 Amp alternator 6PK polyvee belt	1	Beta 43, 50, 60 - From October 2009
	214-92105			Beta 50 & 60 - From July 2007, Beta 43 - From October 2008 to October 2009
	214-00497			Beta 43 - To October 2008, Beta 50 - To July 2007
22	217-99293	M8 Flat washer	3	
23	217-02738	M8 x 70mm socket cap screw	3	
24	201-05440	100 Amp alternator 6 grove crank overpulley	1	For engines with side mounted stop solenoid To 2012
25	217-99293	M8 Flat washer	2	
26	217-99281	M6 x 20mm set bolt	4	
27	217-99275	M6 Spring washer	4	
28	217-99276	M6 Flat washer	4	
29	201-05439	100 Amp alternator 6 grove water pump overpulley	1	
30	200-01771	100 Amp alternator regulator	1	For Beta controller only
	200-02684	100 Amp alternator brush box		
31	200-02737	Beta controller wiring loom	1	
32	200-02580	Beta controller	1	
33	200-05267	Standard engine harness	1	
34	200-00959	40 Amp Fuse Blade	1	
N/A	AK/S3H4M/65A/PVKS01	6PK Drive belt upgrade kit for engines with front mount fuel solenoid only	1	Please refer to page 87
N/A	AK/S3H4/175A/B01	175 Amp alternator & polyvee drive upgrade kit	1	Please refer to page 88

This page is intentionally blank.

Wiring Harness & Switches



Ref.	Part No.	Description	Qty	Comments
1	200-05267	Beta 43, 50, 60 & 62T engine harness	1	Includes fuse & relay - From January 2010
2	200-00959	40 Amp fuse blade	1	
3	200-57640	Relay 12 Volt 70A (33Ra)	1	
4	600-62670	Oil pressure switch	1	
5	600-62820	Water temperature switch	1	From November 2008, Not C Deluxe & CW panel
6	200-01133	Water temperature sender switch 95°C 1/8" BSP	1	To November 2008, Not C Deluxe & CW panel
7	212-01480	3/8" BSPT Male x 1/8" BSP Female galvanised adaptor for 200-01133	1	Required if temperature sender is being fitted into 3/8" BSP thread
8	200-04588/01	1 metre extension harness	1	Not shown
9	200-04588/02	2 metre extension harness	1	Not shown
10	200-04588/03	3 metre extension harness	1	Not shown
11	200-04588/04	4 metre extension harness	1	Not shown
12	200-04588/05	5 metre extension harness	1	Not shown
13	200-04588/06	6 metre extension harness	1	Not shown
14	200-04588/08	8 metre extension harness	1	Not shown
15	200-04588/10	10 metre extension harness	1	Not shown
16	200-04588/15	15 metre extension harness	1	Not shown
17	AK/P/7J3/R00	Relay kit (for extension harnesses)	1	Not shown
18	200-10792/B	Flybridge Y harness	1	Not shown, additionally requires ref no 17

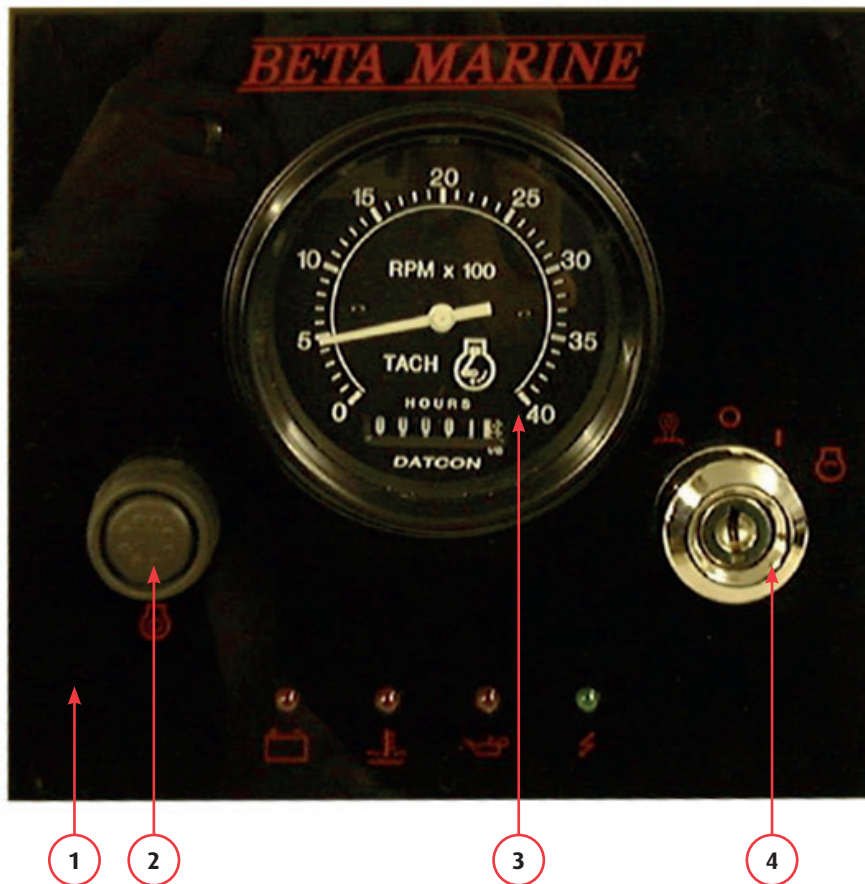


Ref.	Part No.	Description	Qty	Comments
1	N/A	Simple panel (complete with LED pack)	1	No Longer Available - use AK/2AS/KS01
2	600-00057	Kubota key switch - suits small key	1	To August 2008
3	600-00058	Kubota keys (small - pair)	1	To August 2008
4	200-00072	Panel stop button	1	
5	200-01295	LED Pack assembly & buzzer	1	SEASPEC Not shown
	200-01296	LED Pack assembly & buzzer		DOMESTIC Not shown
6	200-01288	A Panel LED type blank - suits 3 red & 1 green LED indicators	1	SEASPEC Facia only – check for availability
	200-01291	A Panel LED type blank - suits 4 red & 1 green LED indicators		DOMESTIC Facia only – check for availability
7	200-00639	11 Way plug to suit male type spade	1	Not shown, refer to page 81
8	200-00048	Large shroud for 11 way plug	1	Not shown, refer to page 81
9	200-00047	Male spade for 11 way plug	11	Not shown, refer to page 81

A Panel – LAMP Type from May 2005

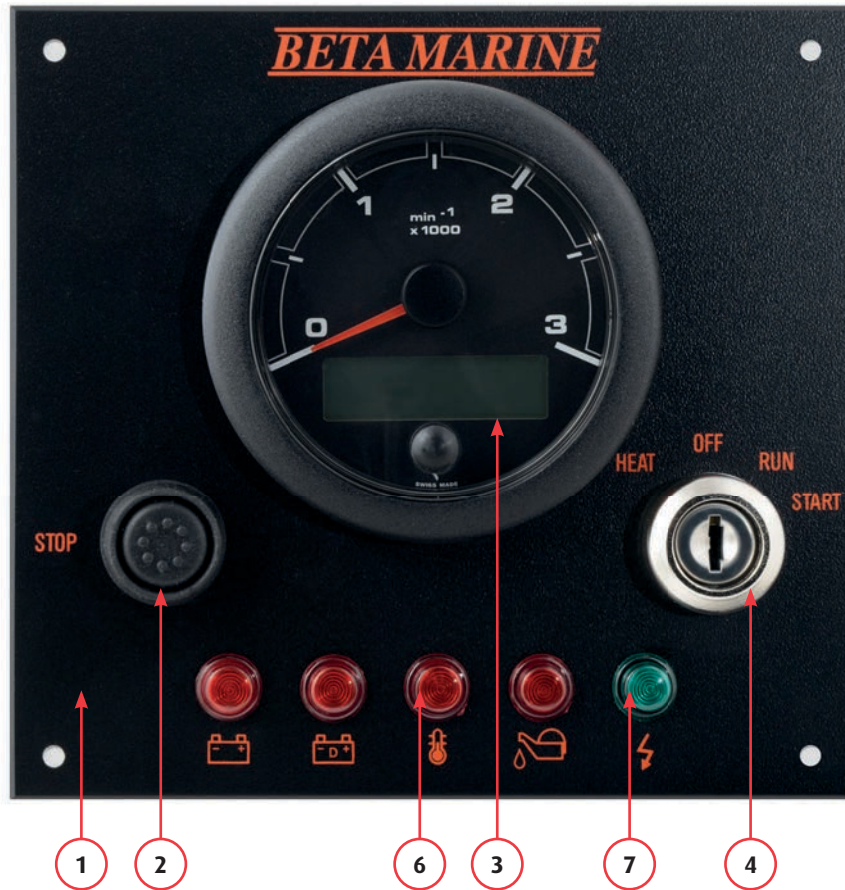


Ref.	Part No.	Description	Qty	Comments
1	AK/2AS/KS01	A panel with 3m loom	1	Complete
2	600-00057	Kubota key switch - suits small key	1	To August 2008
	600-00057/01	Kubota key switch - suits large key		From August 2008
3	600-00058	Kubota keys (small - pair)	1	To August 2008
	600-00058/01	Kubota keys (large - pair)		From August 2008
4	200-00072	Panel stop button	1	
5	200-04657	Red 12V warning lamp & retaining clip	3	
6	200-04656	Green 12V power on lamp & retaining clip	1	
7	N/A	A Panel LAMP type blank	1	Facia only – check for availability
8	200-00639	11 Way plug to suit male type spade	1	Not shown, refer to page 81
9	200-00048	Large shroud for 11 way plug	1	Not shown, refer to page 81
10	200-00047	Male spade for 11 way plug	11	Not shown, refer to page 81
11	200-04655	Alarm board with buzzer	1	Not shown, refer to page 81

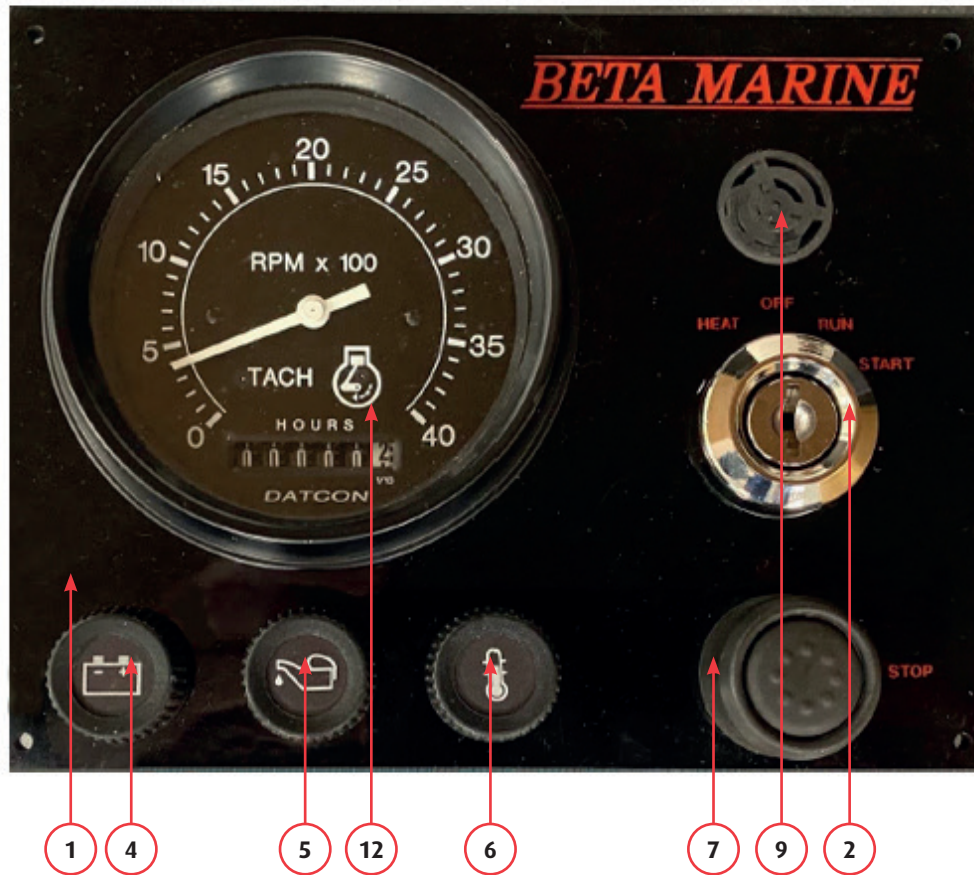


Ref.	Part No.	Description	Qty	Comments
1	200-00853	AB panel (excl. tachometer - ref no 3)	1	No Longer Available - use AK/2ABD/KSNT01
2	200-00072	Panel stop button	1	
3	200-02373/03	0-3000 rpm tachometer & hourmeter	1	VDO From March 2002 to May 2005 - No Longer Available
	200-00054	0-4000 rpm tachometer & hourmeter		DATCON To March 2002 - No Longer Available
4	600-00057	Kubota key switch - suits small key	1	To August 2008
5	600-00058	Kubota keys (small - pair)	1	Not shown, refer to page 81
6	200-01295	LED Pack assembly & buzzer	1	SEASPEC Not shown - check for availability
	200-01296	LED Pack assembly & buzzer		DOMESTIC Not shown - check for availability
7	200-01289	AB Panel blank	1	SEASPEC Facia only - check for availability
	200-01292	AB Panel blank		DOMESTIC Facia only - check for availability
8	200-00639	11 Way plug to suit male type spade	1	Not shown, refer to page 81
9	200-00048	Large shroud for 11 way plug	1	Not shown, refer to page 81
10	200-00047	Male spade for 11 way plug	11	Not shown, refer to page 81

AB Panel – LAMP Type from May 2005



Ref.	Part No.	Description	Qty	Comments
1	AK/2ABD/KSO31	AB panel with 3m loom	1	Complete
	AK/2ABD/KSNT01	AB panel with 3m loom		No tachometer
2	200-00072	Panel stop button	1	
3	200-21241	0-3000 rpm tachometer with digital hour counter	1	OCEANLINK From November 2021
	200-02373/03	0-3000 rpm tachometer with digital hour counter		VIEWLINE From January 2010 to November 2021
	200-02373	0-4000 rpm tachometer with hourmeter		VDO From 2002 to January 2010 - No Longer Available
4	600-00057	Kubota key switch - suits small key	1	To August 2008
	600-00057/01	Kubota key switch - suits large key		From August 2008
5	600-00058	Kubota keys (small - pair)	1	To August 2008
	600-00058/01	Kubota keys (large - pair)		From August 2008
6	200-04657	Red 12V warning lamp & retaining clip	4	
7	200-04656	Green 12V power on lamp & retaining clip	1	
8	N/A	AB Panel blank	1	Facia only – check for availability
9	200-00639	11 Way plug to suit male type spade	1	Not shown, refer to page 81
10	200-00048	Large shroud for 11 way plug	1	Not shown, refer to page 81
11	200-00047	Male spade for 11 way plug	11	Not shown, refer to page 81
12	200-04655	Alarm board with buzzer	1	Not shown, refer to page 81
13	200-87020	12V 28Ra 40Amp relay	1	Not shown, refer to page 81



Ref.	Part No.	Description	Qty	Comments
1	200-89421	ABV panel (excl. tachometer - ref no 12)	1	No Longer Available - use AK/2ABV/KSNT01
2	600-00057	Kubota key switch - suits small key	1	
3	600-00058	Kubota keys (small - pair)	1	Not shown, refer to page 81
4	200-00059	Warning lamp battery	1	No Longer Available
5	200-00060	Warning lamp oil	1	No Longer Available
6	200-00061	Warning lamp water	1	No Longer Available
7	200-00072	Panel stop button	1	
8	200-97490	12V bulb	3	Not shown
9	200-99433	12V DC buzzer	1	
10	200-98980	Panel diode pack	1	Not shown, refer to page 81
11	200-00042	ABV Panel blank	1	Facia only – check for availability
12	200-02373/03	0-3000 rpm tachometer & hourmeter	1	VDO From 2002 to January 2010 - No Longer Available
	200-00054	0-4000 rpm tachometer & hourmeter		DATCON To March 2002 - No Longer Available
13	200-00639	11 Way plug to suit male type spade	1	Not shown, refer to page 81
14	200-00048	Large shroud for 11 way plug	1	Not shown, refer to page 81
15	200-00047	Male spade for 11 way plug	11	Not shown, refer to page 81

ABV Panel – LAMP Type from May 2005

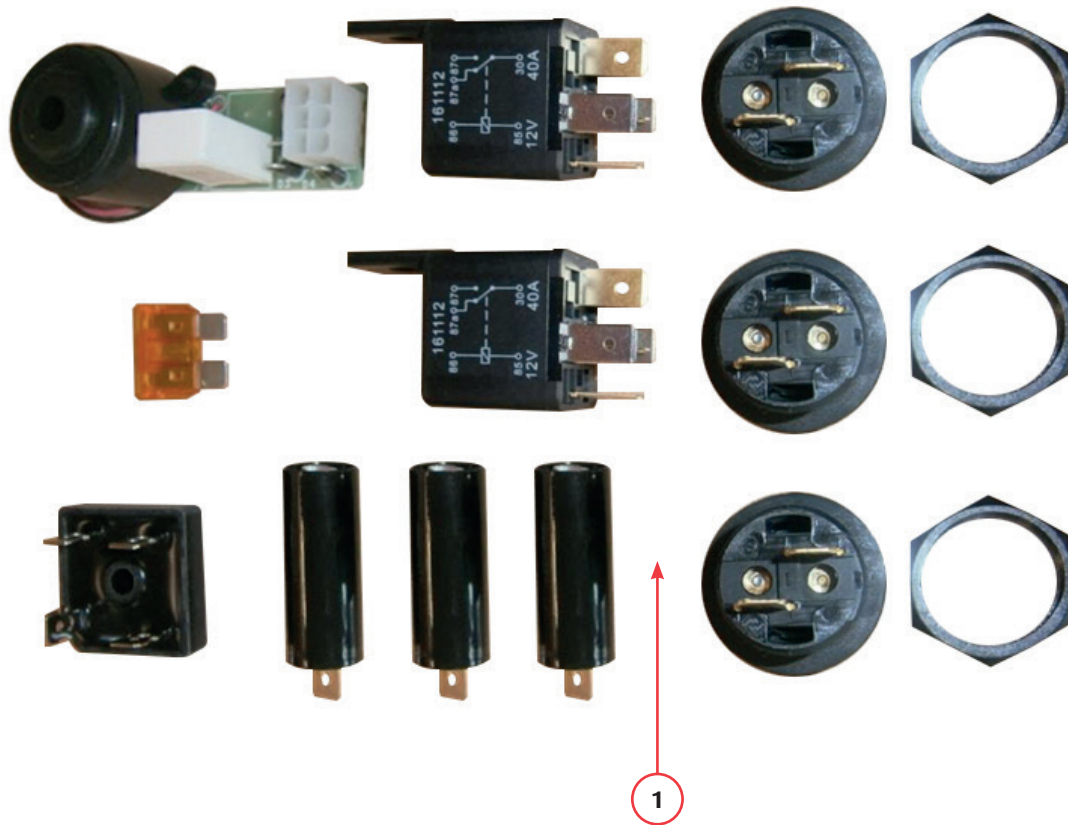


Ref.	Part No.	Description	Qty	Comments
1	AK/2ABV/KSOL301	ABV panel with 3m loom	1	Complete
	AK/2ABV/KSNT01	ABV panel with 3m loom		No tachometer
2	600-00057	Kubota key switch - suits small key	1	To July 2008
	600-00057/01	Kubota key switch - suits large key		From July 2008
3	600-00058	Kubota keys (small - pair)	1	To July 2008
	600-00058/01	Kubota keys (large - pair)		From July 2008
4	200-04657	Red 12V warning lamp & retaining clip	3	
5	200-04656	Green 12V power on lamp & retaining clip	1	
6	200-00072	Panel stop button	1	
7	200-21241	0-3000 rpm tachometer with digital hour counter	1	OCEANLINK From June 2021
	200-02373/03	0-3000 rpm tachometer with digital hour counter		VIEWLINE From January 2010 to June 2021
	200-02373/03	0-3000 rpm tachometer & hourmeter		VDO From 2002 to January 2010 - No Longer Available
8	N/A	ABV Panel blank	1	Facia only – check for availability
9	200-00639	11 Way plug to suit male type spade	1	Not shown, refer to page 81
10	200-00048	Large shroud for 11 way plug	1	Not shown, refer to page 81
11	200-00047	Male spade for 11 way plug	11	Not shown, refer to page 81
12	200-04655	Alarm board with buzzer	1	Not shown, refer to page 81

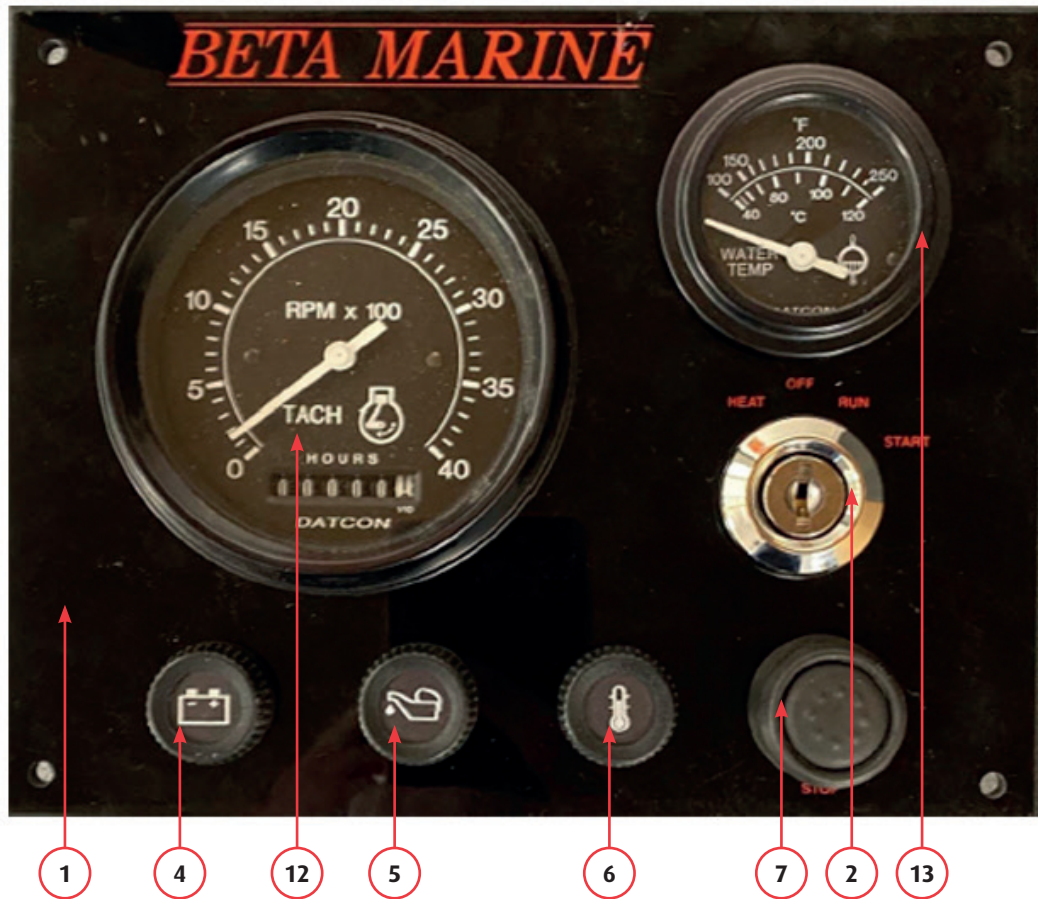


Ref.	Part No.	Description	Qty	Comments
1	AK/2ABVW/KSO31	ABVW panel with 3m loom	1	Complete
	AK/2ABVW/KSNT01	ABVW panel with 3m loom		No tachometer
2	200-00072	Panel stop/start/heat button	3	
3	200-04657	Red 12V warning lamp & retaining clip	3	
4	200-04656	Green 12V power on lamp & retaining clip	1	
5	200-21241	0-3000 rpm tachometer with digital hour counter	1	OCEANLINK From November 2021
	200-02373/03	0-3000 rpm tachometer with digital hour counter		VIEWLINE From January 2010 to November 2021
	200-02373/03	0-3000 rpm tachometer & hourmeter		VDO From 2002 to January 2010 - No Longer Available
6	N/A	ABVW Panel blank	1	Facia only – check for availability
7	200-00639	11 Way plug to suit male type spade	1	Not shown, refer to page 81
8	200-00048	Large shroud for 11 way plug	1	Not shown, refer to page 81
9	200-00047	Male spade for 11 way plug	11	Not shown, refer to page 81
10	200-04655	Alarm board with buzzer	1	Not shown, refer to page 81
11	200-87020	12V 28Ra 40Amp relay	2	Not shown, refer to page 81
12	200-03466	Pektron diode	1	Not shown, refer to page 81
13	200-02618	Diode bridge	1	Not shown, refer to page 81

Service Kit to Suit ABVW Push Button Control Panels



Ref.	Part No.	Description	Qty	Comments
1	AK/2ABVW/RKS01	ABVW panel service kit	1	



Ref.	Part No.	Description	Qty	Comments
1	200-05408	B Panel with temperature gauge (excl. tachometer - ref no 12)	1	From February 2003 - No Longer Available use AK/2BT/KSNT0
	200-60952	B Panel with voltmeter (excl. tachometer - ref no 12)		To February 2003
2	600-00057	Kubota key switch - suits small key	1	To July 2008
3	600-00058	Kubota keys (small - pair)	1	To July 2008
4	200-00059	Warning lamp battery	1	No Longer Available
5	200-00060	Warning lamp oil	1	No Longer Available
6	200-00061	Warning lamp water	1	No Longer Available
7	200-00072	Panel stop button	1	
8	200-97490	12V bulb	3	Not shown
9	200-99433	12V DC buzzer	1	Not shown, refer to page 81
10	200-98980	Panel diode pack	1	Not shown, refer to page 81
11	200-00043	B Panel blank	1	Facia only – check for availability
12	200-02373-03	0-3000 rpm tachometer & hourmeter	1	VDO From 2002 to January 2010 - No Longer Available
	200-00054	0-4000 rpm tachometer & hourmeter		DATCON To March 2002 - No Longer Available
13	200-91400	Water temperature gauge	1	From February 2003
	200-91390	Voltmeter gauge		To February 2003
14	200-00639	11 Way plug to suit male type spade	1	Not shown, refer to page 81
15	200-00048	Large shroud for 11 way plug	1	Not shown, refer to page 81
16	200-00047	Male spade for 11 way plug	11	Not shown, refer to page 81

B Panel – LAMP Type from May 2005

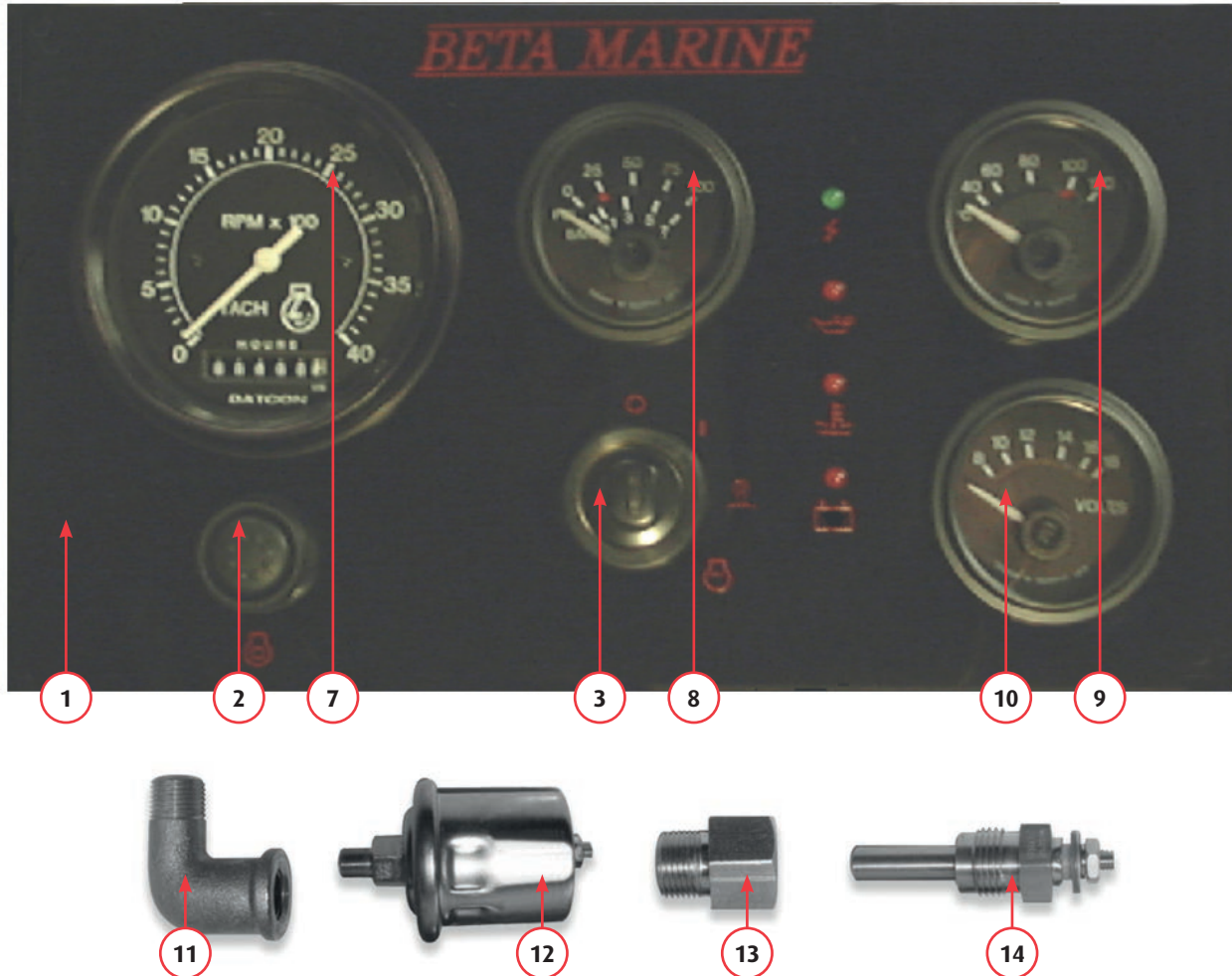


Ref.	Part No.	Description	Qty	Comments
1	AK/2BT/KSO31	B Panel with temperature gauge & 3m loom	1	Complete - From May 2005
	AK/2BT/KSNT01	B Panel with temperature gauge & 3m loom		No tachometer - From June 2021
2	600-00057	Kubota key switch - suits small key	1	To July 2008
	600-00057/01	Kubota key switch - suits large key		From July 2008
3	600-00058	Kubota keys (small - pair)	1	To July 2008
	600-00058/01	Kubota keys (large - pair)		From July 2008
4	200-04657	Red 12V warning lamp & retaining clip	3	
5	200-04656	Green 12V power on lamp & retaining clip	1	
6	200-00072	Panel stop button	1	
7	200-21241	0-3000 rpm tachometer with digital hour counter	1	OCEANLINK From July 2021
	200-02373/03	0-3000 rpm tachometer with digital hour counter		VIEWLINE From January 2010 to July 2021
	200-02373/03	0-3000 rpm tachometer & hourmeter		VDO From 2002 to January 2010 - No Longer Available
8	200-96200	Water temperature gauge	1	
9	N/A	B Panel blank	1	Facia only – check for availability
10	200-04655	Alarm board with buzzer	1	Not shown, refer to page 81
11	200-00639	11 Way plug to suit male type spade	1	Not shown, refer to page 81
12	200-00048	Large shroud for 11 way plug	1	Not shown, refer to page 81
13	200-00047	Male spade for 11 way plug	11	Not shown, refer to page 81

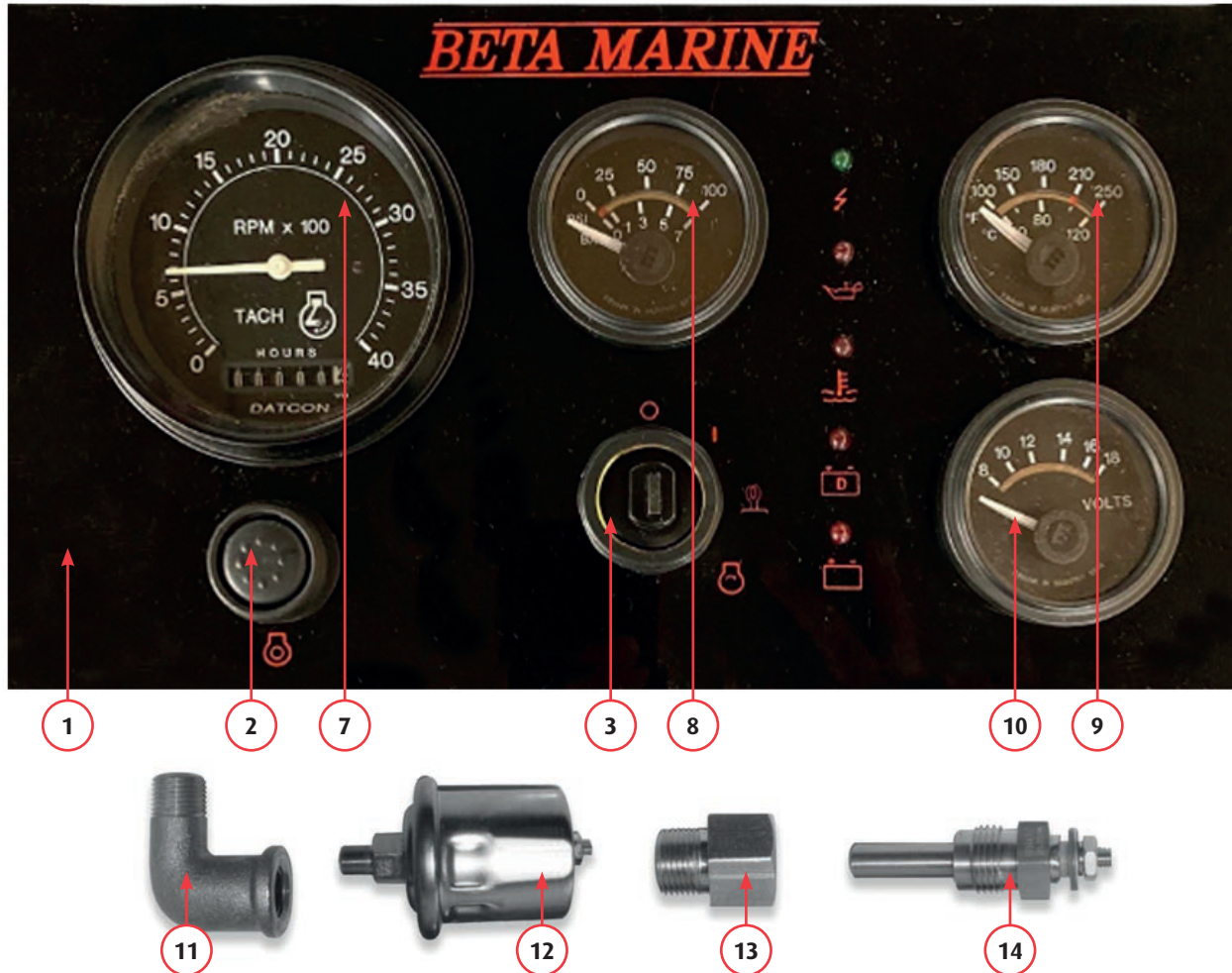


Ref.	Part No.	Description	Qty	Comments
1	AK/2BTW/KSO31	BW Panel with temperature gauge & 3m loom	1	Complete
	AK/2BTW/NT/KS31	BW Panel with temperature gauge & 3m loom		No tachometer
2	200-00072	Panel stop/start/heat button	3	
3	200-04657	Red 12V warning lamp & retaining clip	3	
4	200-04656	Green 12V power on lamp & retaining clip	1	
5	200-21241	0-3000 rpm tachometer with digital hour counter	1	OCEANLINK From December 2021
	200-02373/03	0-3000 rpm tachometer with digital hour counter		VIEWLINE From January 2010 to December 2021
	200-02373/03	0-3000 rpm tachometer & hourmeter		VDO From 2002 to January 2010 - No Longer Available
6	200-96200	Water temperature gauge	1	
7	200-00639	11 Way plug to suit male type spade	1	Not shown, refer to page 81
8	200-00048	Large shroud for 11 way plug	1	Not shown, refer to page 81
9	200-00047	Male spade for 11 way plug	11	Not shown, refer to page 81
10	200-04655	Alarm board with buzzer	1	Not shown, refer to page 81
11	200-87020	12V 28Ra 40Amp relay	2	Not shown, refer to page 81
12	200-03466	Pektron diode	1	Not shown, refer to page 81
13	200-02618	Diode bridge	1	Not shown, refer to page 81
14	AK/2ABVW/RKS01	ABVW panel service kit	1	Not shown, refer to page 69

Deluxe C Panel – SeaSpec 4 LAMP Type to May 2005



Ref.	Part No.	Description	Qty	Comments
1	200-00854	C Deluxe Panel - SeaSpec 4 Lamp (Excl. gauges & loom see ref no 7, 8, 9, 10 & 16)	1	No Longer Available - use AK/2CD/KSNT01 (No tachometer)
2	200-00072	Panel stop button	1	
3	200-00073	Murphy key switch	1	
4	200-98965	Murphy keys (pair)	1	Not shown, refer to page 81
5	200-01295	LED Pack assembly & buzzer - SeaSpec 4 Lamp	1	Not shown - Check for availability
6	200-01290	C Deluxe panel blank (SeaSpec 4 Lamp)	1	Facia only - Check for availability
7	200-02373/03	0-3000 rpm tachometer & hourmeter	1	VDO From March 2002 to May 2005 - No Longer Available
	200-00054	0-4000 rpm tachometer & hourmeter		DATCON To March 2002 - No Longer Available
8	200-96190	Oil pressure gauge	1	
9	200-96200	Water temperature gauge	1	
10	200-96210	Voltmeter gauge	1	
11	212-04355	1/8" BSP male x female elbow	1	
12	200-94350	Oil pressure sender	1	
13	200-91980	Water temperature sender adaptor	1	Alternatively you can use 1/8" sender
14	200-94360	Water temperature sender	1	200-08248 & adaptor 212-01480
15	200-93830	Murphy deluxe 3m connecting loom	1	Not shown
16	200-00046	11 Way socket to suit female type spade	1	Not shown, refer to page 81
17	200-00181	Female spade for 11 way plug	11	Not shown, refer to page 81

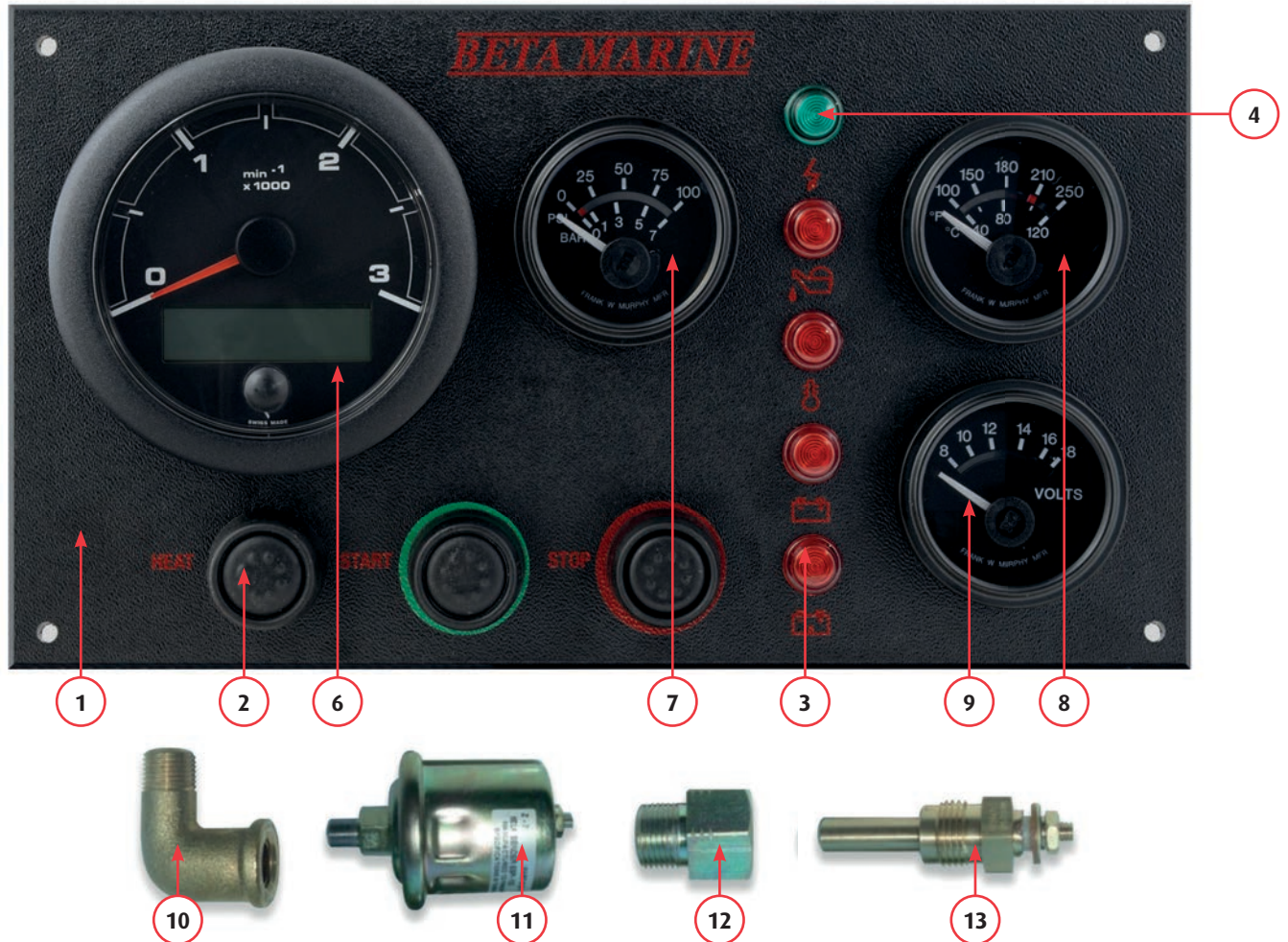


Ref.	Part No.	Description	Qty	Comments
1	200-00851	C Deluxe Panel – SeaSpec 5 Lamp (Excl. gauges & loom - ref no 7, 8, 9, 10 & 16)	1	No Longer Available - use AK/2CD/KSNT01 (No tachometer)
2	200-00072	Panel stop button	1	
3	200-00073	Murphy key switch	1	
4	200-98965	Murphy keys (pair)	1	Not shown, refer to page 81
5	200-01296	LED Pack assembly & buzzer (SeaSpec 5 Lamp)	1	Not shown – check for availability
6	200-01293	C Deluxe panel blank (SeaSpec 5 Lamp)	1	Facia only – check for availability
7	200-02373	0-4000 rpm tachometer & hourmeter	1	VDO From March 2002 to May 2005 - No Longer Available
	200-00054	0-4000 rpm tachometer & hourmeter		DATCON To March 2002 - No Longer Available
8	200-96190	Oil pressure gauge	1	
9	200-96200	Water temperature gauge	1	
10	200-96210	Voltmeter gauge	1	
11	212-04355	1/8" BSP male x female elbow	1	
12	200-94350	Oil pressure sender	1	
13	200-91980	Water temperature sender adaptor	1	Alternatively you can use 1/8" sender
14	200-94360	Water temperature sender	1	200-08248 & adaptor 212-01480
15	200-93830	Murphy deluxe 3m connecting loom	1	Not shown
16	200-00046	11 Way socket to suit female type spade	1	Not shown, refer to page 81
17	200-00181	Female spade for 11 way plug	11	Not shown, refer to page 81

Deluxe C Panel – SeaSpec 5 LAMP Type from May 2005

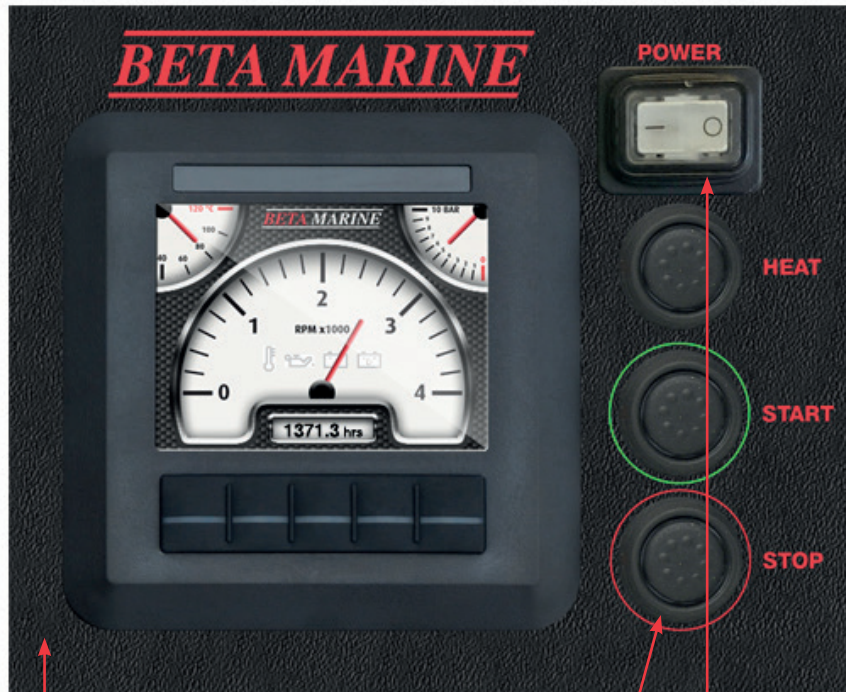


Ref.	Part No.	Description	Qty	Comments
1	AK/2CD/KSOL31	C Deluxe Panel - Domestic 5 Lamp	1	3m extension harness not included - see ref no 17
	AK/2CD/KSNT01	C Deluxe Panel - Domestic 5 Lamp (No tachometer)		3m extension harness not included - see ref no 17
2	200-00072	Panel stop button	1	
3	600-00057	Kubota key switch - suits small key	1	To July 2008
	600-00057/01	Kubota key switch - suits large key		From July 2008
4	600-00058	Kubota keys (small - pair)	1	To July 2008
	600-00058/01	Kubota keys (large - pair)		From July 2008
5	200-04657	Red 12V warning lamp & retaining clip	4	
6	200-04656	Green 12V power on lamp & retaining clip	1	
7	N/A	C Deluxe panel blank (Domestic 5 Lamp)	1	Facia only – check for availability
8	200-21241	0-3000 rpm tachometer with digital hour counter	1	OCEANLINK From June 2021
	200-02373/03	0-3000 rpm tachometer with digital hour counter		VIEWLINE From January 2010 to June 2021
	200-02373/03	0-3000 rpm tachometer & hourmeter		VDO From 2002 to January 2010 - No Longer Available
9	200-96190	Oil pressure gauge	1	
10	200-96200	Water temperature gauge	1	
11	200-96210	Voltmeter gauge	1	
12	212-04355	1/8" BSP male x female elbow	1	
13	200-94350	Oil pressure sender	1	
14	200-91980	Water temperature sender adaptor	1	Alternatively you can use 1/8" sender
15	200-94360	Water temperature sender	1	200-08248 & adaptor 212-01480
16	200-04588/03	3m extension harness	1	Not shown
17	200-00639	11 Way plug to suit male type spade	1	Not shown, refer to page 81
18	200-00047	Male spade for 11 way plug	11	Not shown, refer to page 81
19	200-04583/5W	Domestic charge load resistor	1	Fits on rear of domestic charge lamp

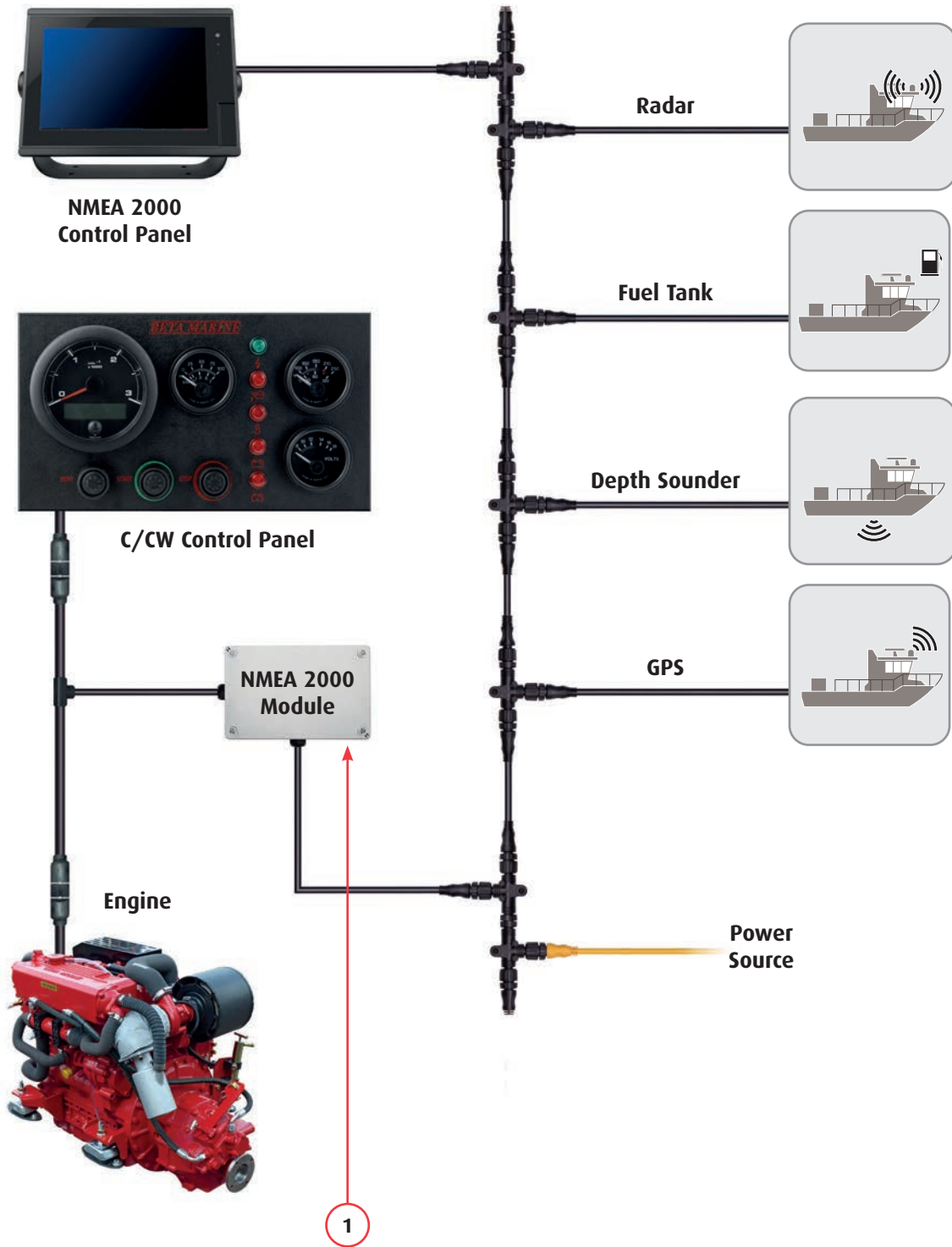


Ref.	Part No.	Description	Qty	Comments
1	AK/2CW/KSOL31	CW Panel – Domestic 5 Lamp	1	3m extension harness not included - see ref no 14
	AK/2CW/KSNT01	CW Panel – Domestic 5 Lamp (No tachometer)		3m extension harness not included - see ref no 14
2	200-00072	Panel stop/start/heat button	3	
3	200-04657	Red 12V warning lamp & retaining clip	3 or 4	
4	200-04656	Green 12V power on lamp & retaining clip	1	
5	200-01293P	CW panel blank - Domestic 5 Lamp	1	Facia only – check for availability
6	200-21241	0-3000 rpm tachometer with digital hour counter	1	OCEANLINK From June 2021
	200-02373/03	0-3000 rpm tachometer with digital hour counter		VIEWLINE From January 2010 to June 2021
	200-02373/03	0-3000 rpm tachometer & hourmeter		VDO From 2002 to January 2010 - No Longer Available
7	200-96190	Oil pressure gauge	1	
8	200-96200	Water temperature gauge	1	
9	200-96210	Voltmeter gauge	1	
10	212-04355	1/8" BSP male x female elbow	1	
11	200-94350	Oil pressure sender	1	
12	200-91980	Water temperature sender adaptor	1	Alternatively you can use 1/8" sender
13	200-94360	Water temperature sender	1	200-08248 & adaptor 212-01480
14	200-04588/03	3m extension harness	1	Not shown
15	200-00639	11 Way plug to suit male type spade	1	Not shown, refer to page 81
16	200-00047	Male spade for 11 way plug	11	Not shown, refer to page 81
17	200-10135	Diode pack to suit CW panel from December 2015	1	Not shown, refer to page 81

Digital D Panel



Ref.	Part No.	Description	Qty	Comments
1	AK/P/2D/KS01	D-Digital Panel	1	Requires 3m extension harness and senders - see ref no 4, 5, 6, 7 & 8
2	200-09347	Illuminated rocker switch	1	
3	200-00072	Panel stop/start/heat button	3	
4	200-04588/03	3m extension harness	1	Not shown
5	212-99397	1/8" BSP male x female elbow	1	
6	200-94350	Oil pressure sender	1	
7	200-91980	Water temperature sender adaptor	1	Alternatively you can use 1/8" sender 200-08248 & adaptor 212-01480
8	200-94360	Water temperature sender	1	



Ref.	Part No.	Description	Qty	Comments
1	AK/P/2D/i01	NMEA 2000 Module for use with C Deluxe & CW panels	1	

Panel Gauges and Senders

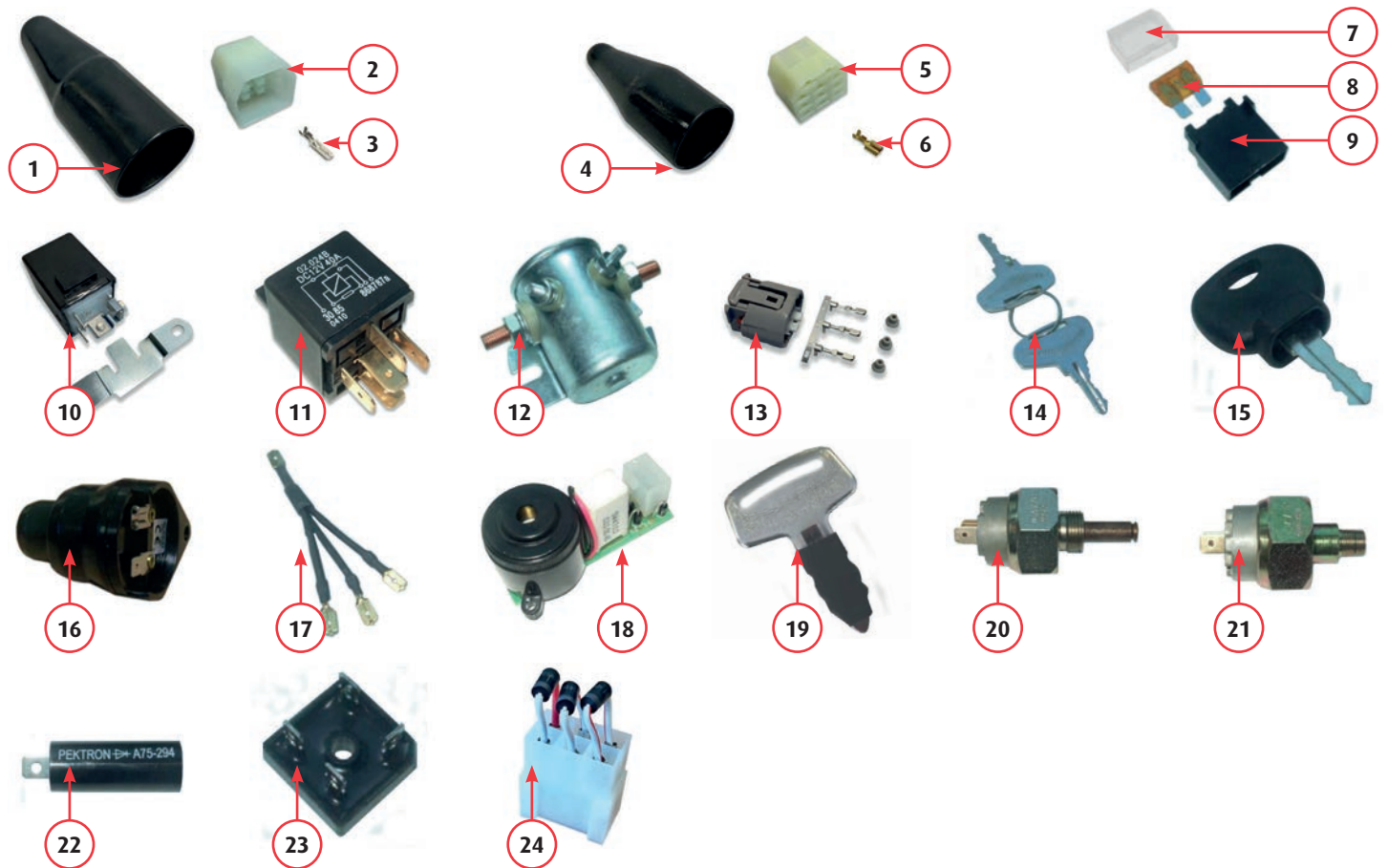


Ref.	Part No.	Description	Qty	Comments
1	200-21241	0-3000 rpm tachometer with digital hour counter	1	OCEANLINK From June 2021
	200-02373/03	0-3000 rpm tachometer with digital hour counter	1	VIEWLINE From January 2010 to June 2021
	200-02373/03	0-3000 rpm tachometer & hourmeter	1	VDO From 2002 to January 2010 - No Longer Available
	200-02373	0-4000 rpm tachometer & hourmeter	1	VDO From 2002 to January 2010 - No Longer Available
	200-00054	0-4000 rpm tachometer & hourmeter	1	DATCON To March 2002 - No Longer Available
2	200-08011	Oil pressure gauge	1	VDO VIEWLINE
	200-91380	Oil pressure gauge	1	DATCON
3	200-07981	Water temperature gauge	1	VDO VIEWLINE
	200-91390	Water temperature gauge	1	DATCON
4	200-07980	Voltmeter gauge	1	VDO VIEWLINE
	200-91400	Voltmeter gauge	1	DATCON
5	200-90000	Hourmeter gauge	1	FOZMULA
6	200-01392	Gauge bulb 12V	1	DATCON
7	212-99397	1/8" BSP male x female elbow	1	
8	212-01480	3/8" BSPT M x 1/8" F adaptor tail	1	
9	200-62680	0-5 Bar switch/sender	1	
10	200-01133	Water temperature switch/sender 95°C	1	
11	200-04805	Red tachometer 12v bulb	2	VDO Not shown
12	200-96220	Tachometer bulb 12V	1	DATCON Not shown
13	200-07664	8 Pin gauge connector	1	VIEWLINE Not shown



Ref.	Part No.	Description	Qty	Comments
1	200-22729	12 Pin connector	1	For OCEANLINK gauges
2	200-07664	8 Pin connector	1	For VIEWLINE gauges
3	200-08875	Calibration wiring harness	1	For VIEWLINE tachometers
4	200-07664-OL	8 Pin connector	1	To suit OCEANLINE replacement
5	200-10381	OCEANLINE conversion harness	1	To suit VIEWLINE panel
6	200-10091B	Replacement 52mm bezel	1	For VIEWLINE gauges
7	200-10090B	Replacement 85mm bezel	1	For VIEWLINE tachometers

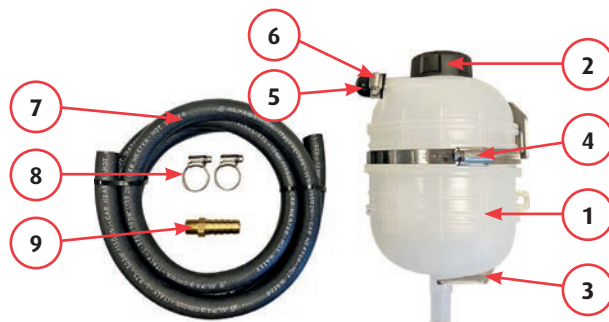
Control Panel Components



Ref.	Part No.	Description	Qty	Comments
1	200-00048	Large shroud for 11 way plug	1	On panel connection
2	200-00639	11 Way plug to suit male type spade	1	On panel connection
3	200-00047	Male spade for 11 way plug	11	On panel connection
4	200-00638	Small shroud for 11 way socket	1	On engine harness
5	200-00046	11 Way socket to suit female type spade	1	On engine harness
6	200-00181	Female spade for 11 way socket	11	On engine harness
7	200-01426	Plastic clear fuse cover	1	On engine harness
8	200-00959	40 Amp fuse blade	1	On engine harness
9	200-00640	Fuse holder for 40 Amp fuse blade	1	On engine harness
10	200-57640	12V 33Ra 70 Amp relay	1	For extended looms
11	200-87020	12V 28Ra 40 Amp relay	1	On rear of panel
12	200-89950/01	12V heavy duty relay	1	For insulated earth
13	600-02405	Kubota alternator 3 pin coupler	1	For 3 pin Denso alternator
14	600-00058	Kubota keys (small pair)	1	To July 2008
15	200-98965	Murphy keys (pair)	1	To May 2005
16	200-99433	12V buzzer	1	B panel To May 2005
17	200-98980	Panel diode pack	1	ABV To May 2005
18	200-04655	Alarm board with buzzer	1	Standard From May 2005
19	600-00058/01	Kubota keys (large pair)	1	From July 2008
20	200-02069	Water temperature switch 096C 3/8" BSP	1	Generating set standard
21	200-61190	Oil pressure switch 98kPa 1/8" BSP	1	Generating set standard
22	200-03466	Pektron diode	1	Push button panels
23	200-02618	Diode bridge	1	Push button panels
24	200-10135	Diode pack	1	CW panel From December 2015
25	200-04623	14 Core panel cable	/m	Not shown



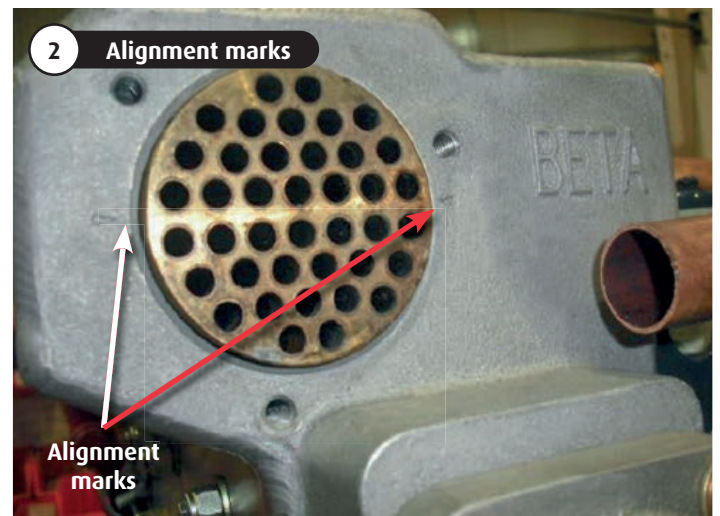
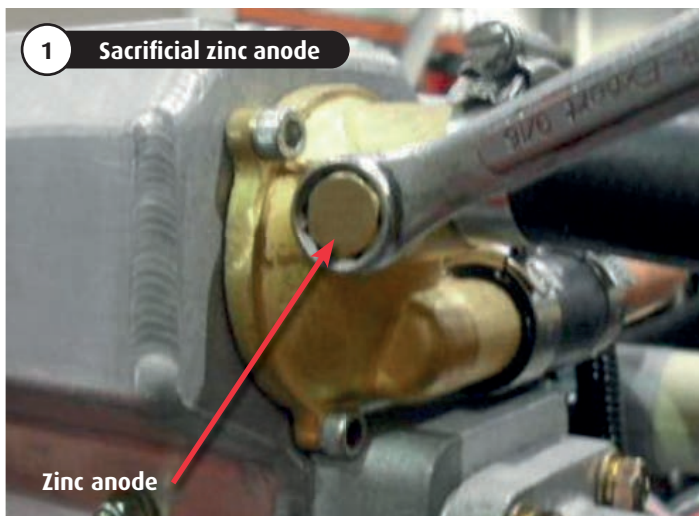
Ref.	Part No.	Description	Qty	Comments
KIT	AK/SML/EXP/001	Expansion tank kit, complete	1	No Longer Available
1	209-03065	Expansion tank	1	
2	209-03066	Expansion tank lid	1	
3	202-21375	Expansion tank mounting bracket	1	No Longer Available
4	202-21375	Expansion tank holding band	1	No Longer Available
5	212-07011	Hose cap blanking bung	1	
6	212-07009	No 22 Stainless steel hose clip	1	
7	218-99247	3/4" Bore water hose	1m	
8	212-98464	Stainless steel hose clip 22-30mm	1	
9	212-99233	3/8" BSPT 5/8" hose tail	1	



Ref.	Part No.	Description	Qty	Comments
KIT	AK/SML/EXP/002	Expansion tank kit, complete	1	
1	209-03065	Expansion tank	1	
2	209-03066	Expansion tank lid	1	
3	202-21375	Expansion tank mounting bracket	1	
4	262-04015	Stainless steel hose clip 120-140mm	1	
5	212-07011	Hose cap blanking bung	1	
6	212-06818	Stainless steel hose clip 13-20mm	1	
7	218-99247	3/4" Bore water hose	1m	
8	212-98464	Stainless steel hose clip 22-30mm	1	
9	210-03297	3/8" BSPT x 3/4" hose tail	1	

Replacing Sacrificial Anode & Cleaning Heat Exchanger Tubestack on S3 Series Engines - From 2011

1. The sacrificial zinc anode should be replaced every year. This can be more frequent depending on the environment the engine is in. The anode is attached to the bolt inserted in the rear end cap of the heat exchanger. Please refer to image 1.
2. Using a 9/16" spanner, unscrew the bolt and replace the complete unit with a new one.
3. Check for leaks.
4. It is possible for fine sea weed and other debris to get past the inlet filter and into the tube stack. This requires removal of the tube stack for cleaning.
5. Drain off coolant into a bucket.
6. Unscrew the 6 end cap retaining bolts using a 5mm Hex Key (three each end of the tube stack). Remove the 'O' rings and slide out the tube stack. Clean tube stack and end caps.
7. Re-assemble using new 'O' rings, Beta Marine part number 212-07273. Do not over tighten end cap bolts and make sure the tube stack is the right way round. Please refer to image 2. This is to ensure sea water flows correctly through the tubestack and not straight out of the exhaust, allowing sea water to flow from the lower twenty tubes to the front endcap where it then returns through the upper twenty tubes, past the wasting anode and into the exhaust system.
8. Re-fill engine with water/anti-freeze solution and run engine up to temperature to check for leaks.

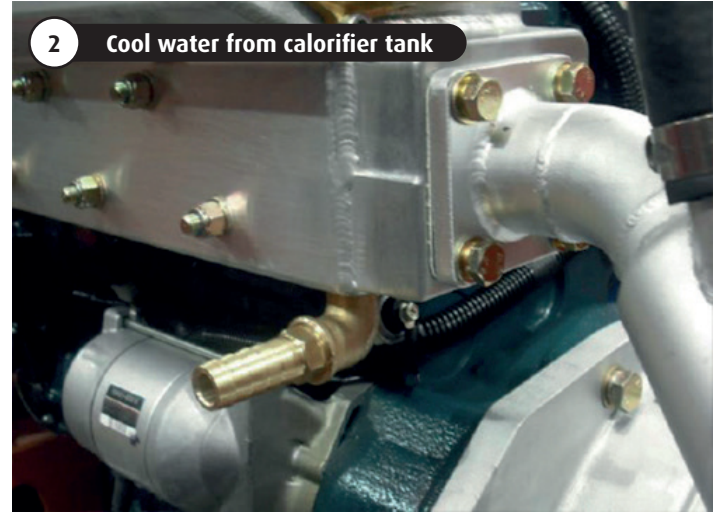


Part No.	Description	Qty
212-07273	S5 heat exchanger 'O' ring	2
209-61840	Sacrificial zinc anode	1
217-00190Z	M6 x 16mm socket cap screw	6



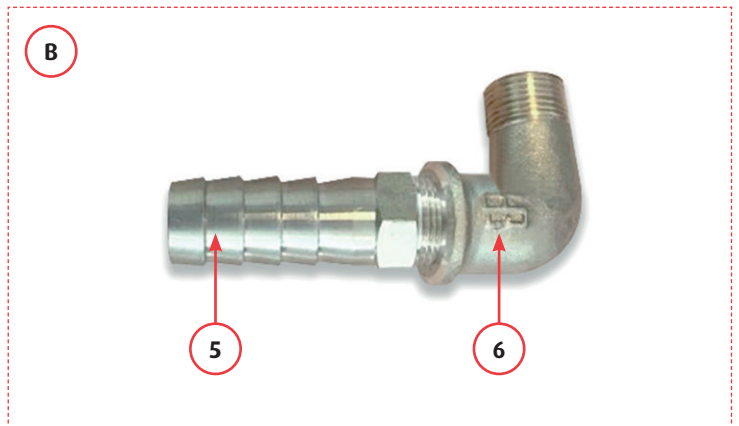
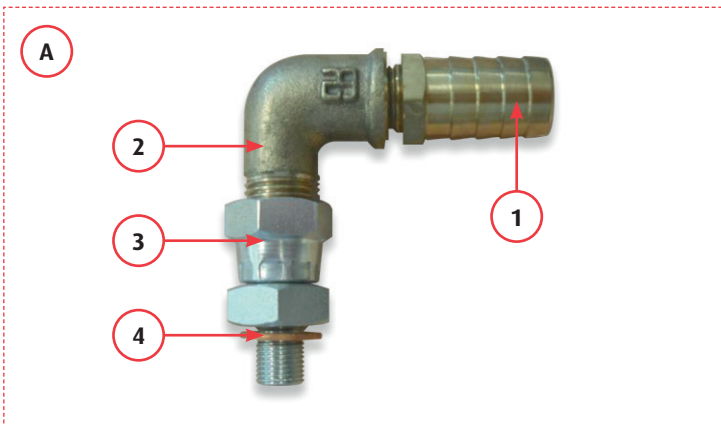
This is a universal calorifier kit suiting engines from 10 to 62hp. Not all supplied parts may be required for your upgrade, but the instructions are however relevant for this engine family.

IPL Beta 43, 50, 60 & 62T Calorifier Kit



1. Remove 1/8" BSP bung from cylinder head, behind last injector at rear starboard side of engine.
2. Fit 1/8" BSP male swivel adaptor with the supplied copper washer. Into this, fit the elbow and 5/8" hose connector.

1. Remove bung from underside of heat exchanger tank with 8mm hex key.
2. Fit 3/8" BSP male x female elbow.
3. Fit 3/8" BSP x 5/8" hose connector.



Ref.	Part No.	Description	Qty	Comments
Kit	AK/HE/CAL/KS10-38/01	Calorifier kit and sub components	1	Includes parts A & B
1	212-00904	5/8" hose connector	1	
2	212-04356	1/8" BSP male x female elbow	1	
3	210-07357	1/8" BSP male swivel adaptor	1	
4	212-06565	Copper flat washer	1	
5	212-99233	3/8" BSP x 5/8" hose connector	1	
6	212-99237	3/8" BSP male x female elbow	1	

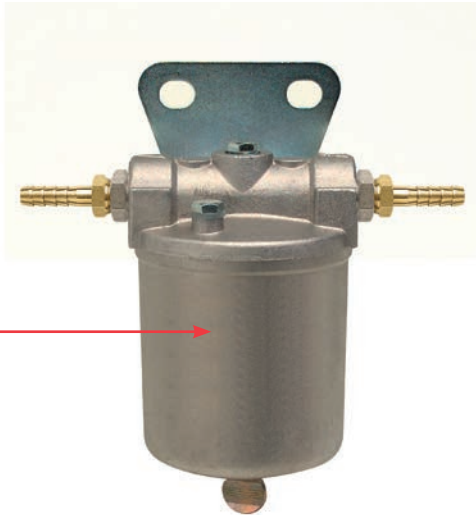
Note: All fittings to be sealed with PTFE tape or pipe sealant to prevent water leaks when engine is at operating temperature and pressure

Installation Kits

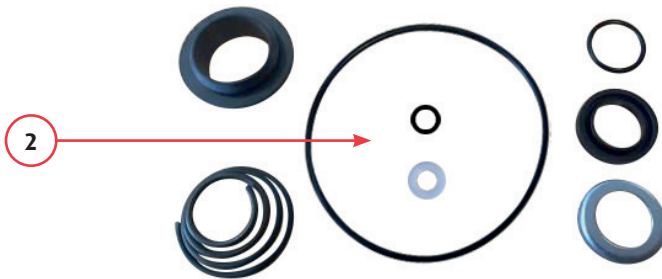
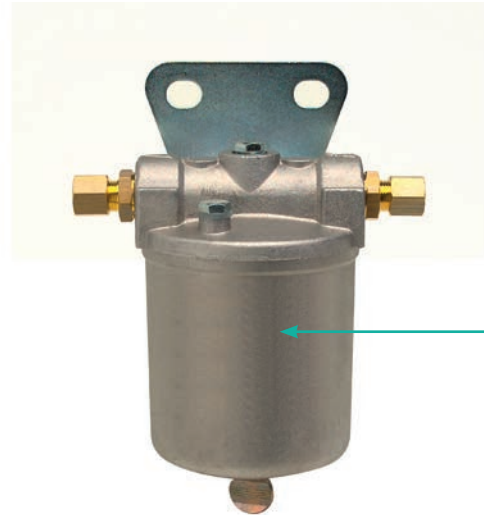


Ref.	Part No.	Description	Qty	Comments
1	AK/SML/HE/6e/S301	Water Inlet Kit - 1" ID	1	Beta 43, 50 & 60
	AK/MID/HE/6e/001	Water Inlet Kit - 1 1/4" ID		Beta 62T
2	AK/SML/HE/6b/001	Water cooled exhaust kit 50mm	1	Beta 43, 50 & 60
	AK/MID/60/001	Water cooled exhaust kit 60mm		Beta 62T
3	AK/SML/HE/6c/001	Plastic waterlock kit 50mm	1	Beta 43, 50 & 60 - including 4x hose clips
	212-05045	Plastic waterlock kit 60mm		Beta 62T - including 4x hose clips
4	212-00466	Anti-Siphon kit with vent	1	
5	AK/SML/6g/001	Flexible fuel pipes 24" OAL ISO7840	1	
6	AK/SML/6k/001	Fuel delivery kit	1	
	AK/SML/6k/001	Fuel leak off kit	1	
7	AK/SML/6l/H01	Fuel/water separator kit	1	Heat exchanger cooled 8mm hose tails
	AK/SML/6l/001			Keel cooled 8mm compression
8	AK/6H/HE/KS01	Electric fuel lift kit 12v	1	Supplied with connections for both heat exchanger and keel cooled engines
9	AK/MID/3h/001	Remote oil filter kit	1	Beta 43, 50, 60 & 62T
10	AK/SML/5a/002	Single lever control	1	
11	212-96070/01	Single lever control cables 3m	1	
12	200-96160	Battery leads 1.5m, 35mm (x1 black & x1 red)	1	Beta 43, 50, 60 & 62T

Heat Exchanger Cooled

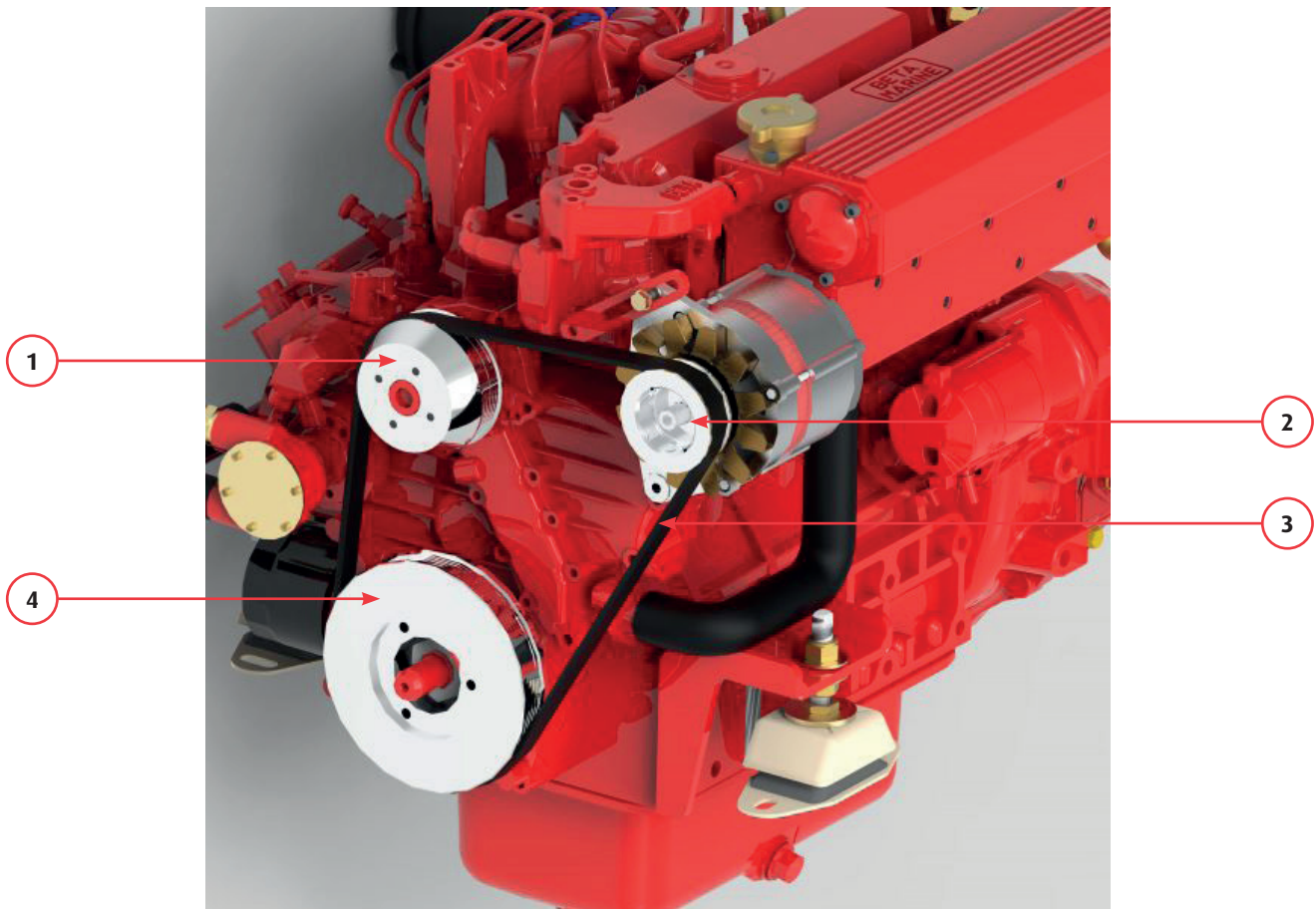


Keel Cooled



Ref.	Part No.	Description	Qty	Comments
1	AK/SML/6l/H01	Fuel/water separator - heat exchanger cooled	1	8mm hose tails
	AK/SML/6l/001	Fuel/water separator - keel cooled		8mm compression
2	212-02632	Seal kit for separator	1	
3	212-02631	Filter for separator	1	

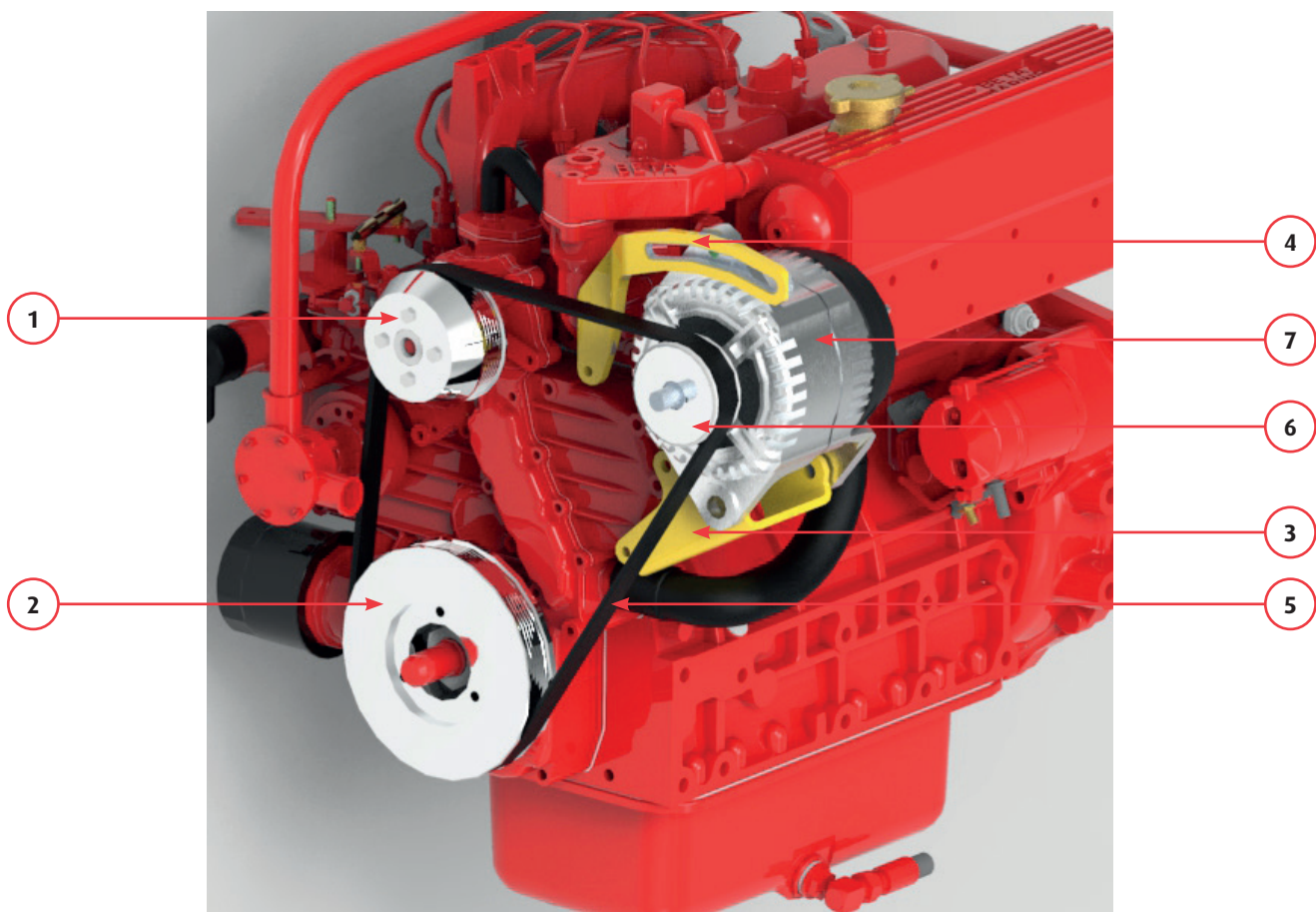
Beta 43 & Beta 50 6K Polyvee 1st Alternator Drive Upgrade Kit - From 2011



This upgrade kit supplied to suit the latest Beta 43 and Beta 50 engines from 2011. The **alternator drive upgrade** kit is supplied to suit engines originally built to a standard specification, further modification to the engine may be required whilst fitting. This is the responsibility of the installer and not Beta Marine.

Note: Upgrade kit available including three pulleys and drive belt is available for the Beta 43 and Beta 50 engines. Please select from the options below. For Beta 60 engines please enquire at Beta Marine with engine WOC number or serial number to help with identification.

Ref.	Part No.	Description	Qty	Comments
1	201-05439	Water pump pulley	1	
2	201-02251	Alternator pulley	1	
3	214-92105	Drive belt	1	
4	201-06621	Drive pulley	1	Front mounted stop solenoid engines
	201-05440			Side mounted stop solenoid engines
Kit	AK/S3H4M/65A/PVKS01	6K polyvee drive upgrade kit	1	Beta 43 & 50 with front mounted stop solenoid only
	AK/BV1903/65A/PVKS01			Beta 43 & 50 with side mounted stop solenoid only



This upgrade kit is supplied to suit the latest Beta 43 and Beta 50 engines with 3 bolt style heat exchange manifold supplied from 2011. This **alternator upgrade** kit is supplied to suit engines originally built to a standard specification, further modification to the engine may be required whilst fitting. This is the responsibility of the installer and not Beta Marine.

Note: Upgrade kit is available including alternator, three pulleys, alternator saddle and drive belt for the Beta 43 and Beta 50 engines fitted with the 3 bolt manifold. For Beta 60 engines please enquire at Beta Marine with engine WOC number or serial number to help with identification.

Tachometers will require recalibration due to drive ratio change to approx 15.2 pulse.

Ref.	Part No.	Description	Qty	Comments
1	201-05439	Water pump pulley	1	
2	201-06621	Drive belt pulley	1	Front mounted stop solenoid engines
	201-05440			Side mounted stop solenoid engines
3	202-08568	Alternator saddle	1	
4	202-08569	Alternator adjusting link	1	
5	214-04776	Drive belt	1	
6	201-04710	Alternator pulley	1	
7	200-05261	175 Amp 12v alternator	1	
Kit	AK/S3H4/175A/B01	175 Amp alternator upgrade kit	1	Beta 43 & 50 with 3 bolt exhaust manifold

BETA MARINE

Notes...

BETA MARINE

Notes...

